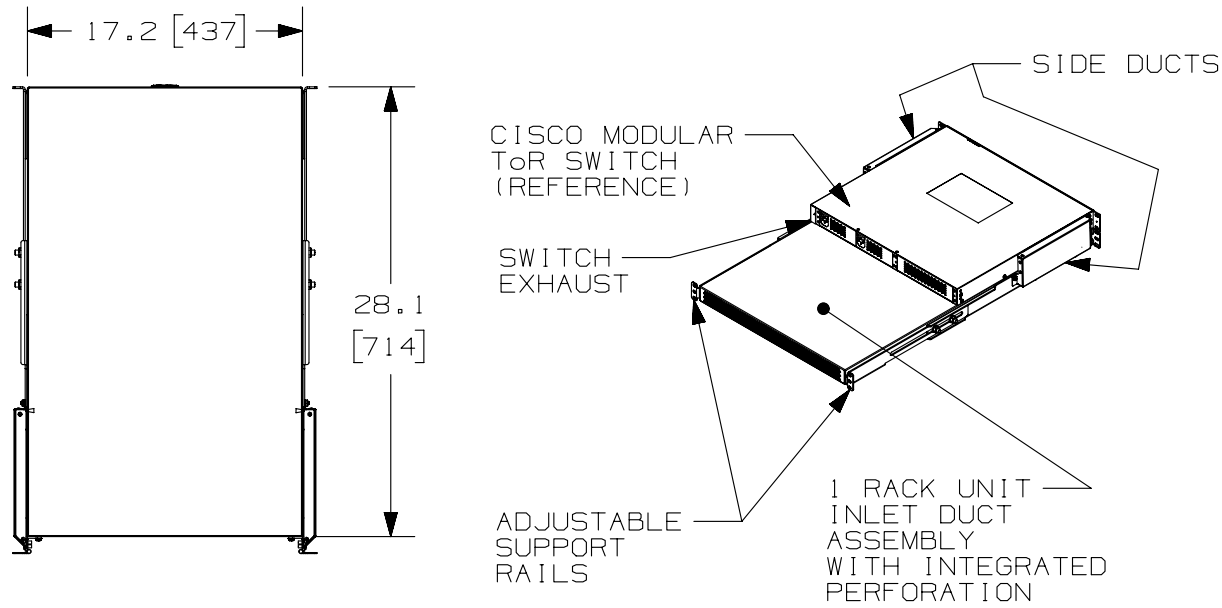


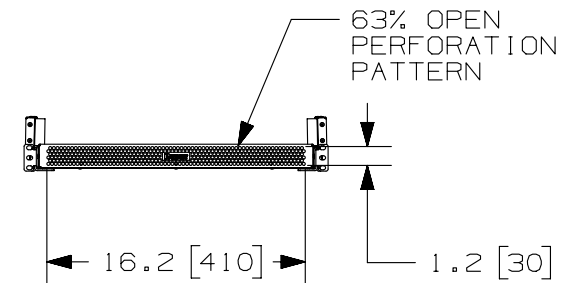
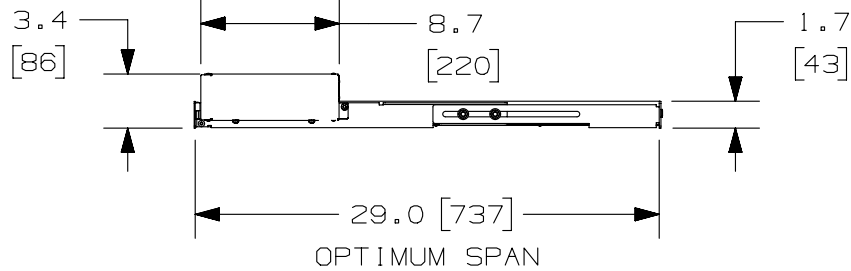
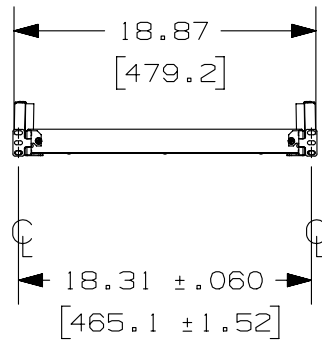
THIS COPY IS PROVIDED ON A RESTRICTED BASIS AND IS NOT TO BE USED IN ANY WAY DETRIMENTAL TO THE INTERESTS OF PANDUIT CORP.



PANDUIT PART NO.	WEIGHT
CDE1	15.0 LBS/EACH 6.8 kg/EACH

NOTES:

- DIMENSIONS IN PARENTHESIS ARE METRIC (mm).
- PARTS SUPPLIED:
 - INLET DUCT ASSEMBLY
 - SIDE DUCTS WITH SUPPORT RAILS
 - MOUNTING HARDWARE KIT
 - CMPHF1 D-RING CABLE MANAGER
- SUPPORT RAILS ADJUST FROM 27.0" TO 29.0" DEPTH.



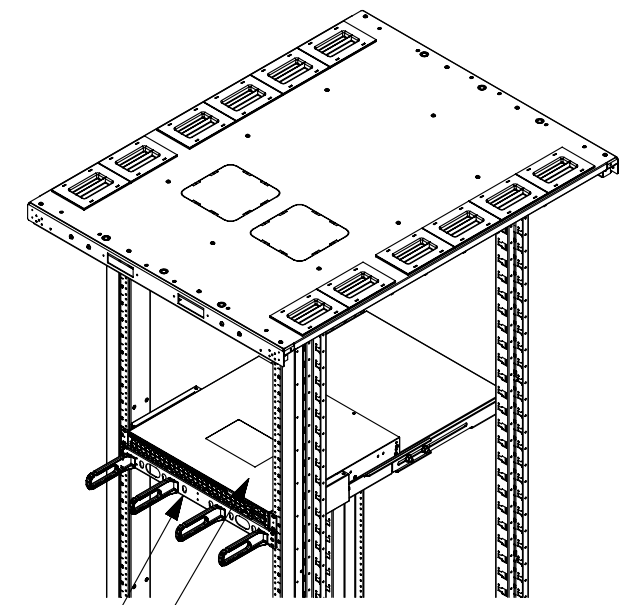
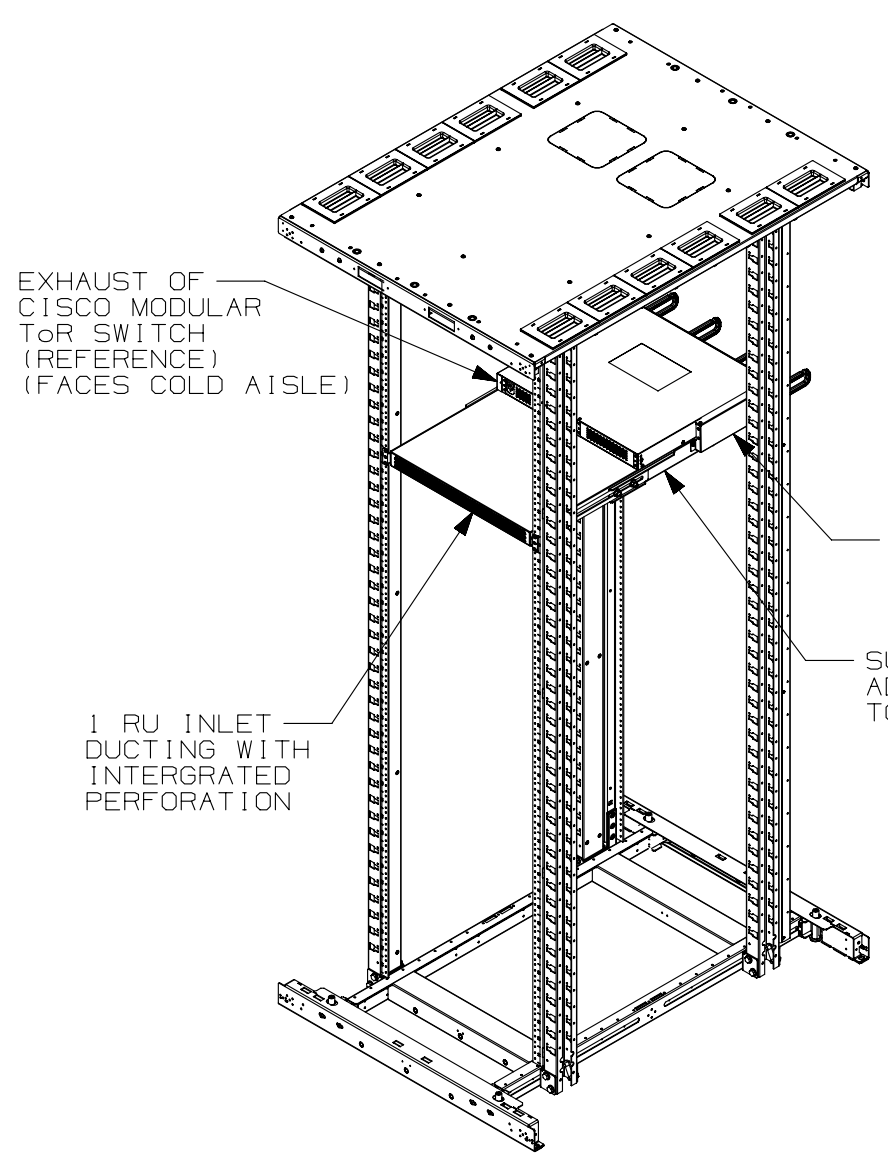
REV	DATE	BY	CHK	APR	DESCRIPTION	ECN
08A	03/05/13	PJST			RELEASED TO PRODUCTION	V10683AE

TITLE		MODULAR ToR SWITCH INLET DUCT (CDE1)		
CONTROL DRAWING				
ITEM REVISION NAME		V10683AE/08		
DATASET FILE NAME		V10683AE_DC/08A		
MATERIAL:		N/A		
DRAWING NUMBER:		V10683AE		
DRAWN BY	DATE	CHK	SCALE	SIZE
RCHA/L EE	05/14/09		N/A	A
SHT 1 OF 2				

2

1

THIS COPY IS PROVIDED ON A RESTRICTED BASIS AND IS NOT TO BE USED IN ANY WAY DETRIMENTAL TO THE INTERESTS OF PANDUIT CORP.



TITLE												
MODULAR ToR SWITCH INLET DUCT (CDE1)												
CUSTOMER DRAWING												
ITEM REVISION NAME					V10683AE/08							
DATASET FILE NAME					V10683AE_DC/08A							
MATERIAL:					PANDUIT							
					N/A							
DRAWING NUMBER:					V10683AE							
REV	DATE	BY	CHK	APR	DESCRIPTION	ECN	DRAWN BY	DATE	CHK	SCALE	DRAWING NUMBER:	SIZE
08A	03/05/13	PJST			RELEASED TO PRODUCTION	V10683AE	RCHA/L EE	05/14/09		N/A	SHT 2 OF 2	A

2