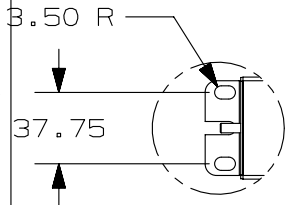
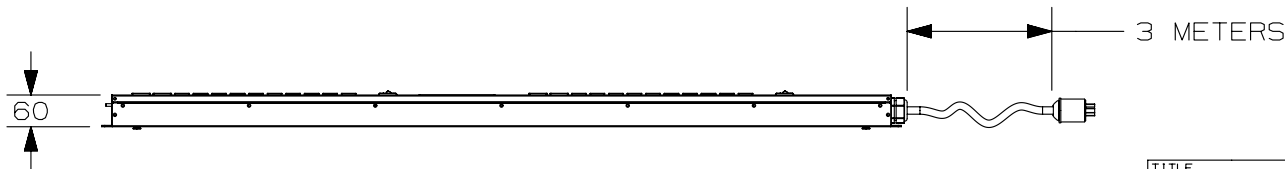
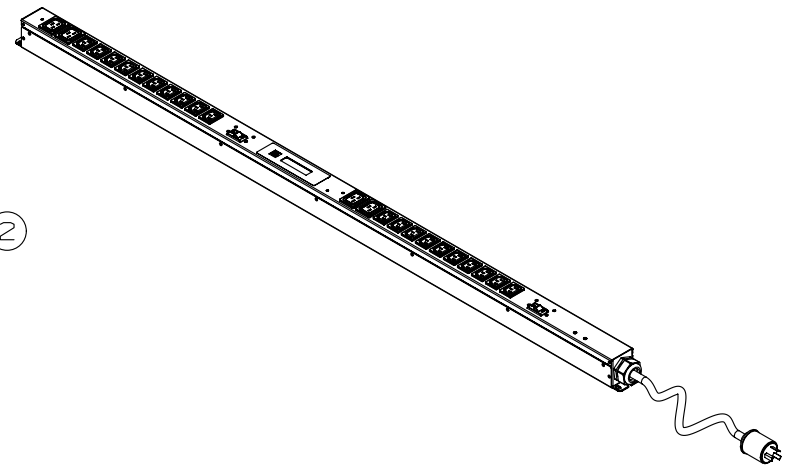
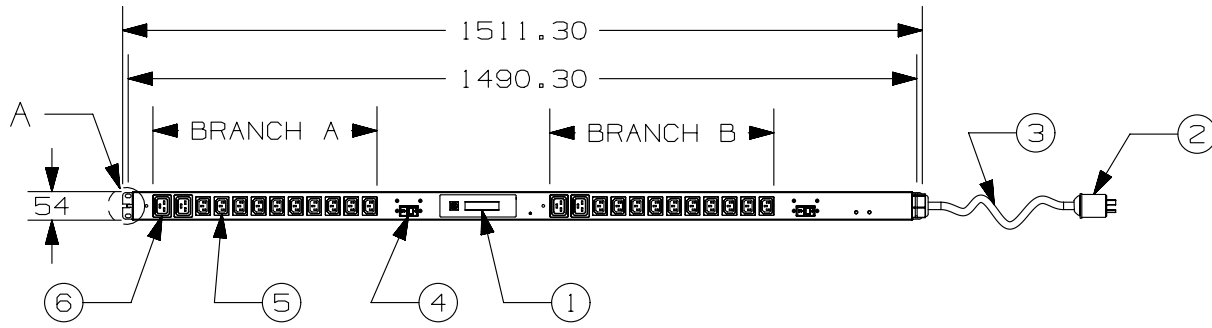


THIS COPY IS PROVIDED ON A RESTRICTED BASIS AND IS NOT TO BE USED IN ANY WAY DETRIMENTAL TO THE INTERESTS OF PANDUIT CORP.

ITEM NO.	PART NO.	DESCRIPTION	QTY.
1	SINGLE PHASE	SINGLE PHASE MONITOR DISPLAY	1
2	NEMA L5-30P	120V 30A	1
3	CABLE - 3 METERS	3 METER CABLE LENGTH	1
4	CARLING 20 AMP DOUBLE POLE	20AMP DOUBLE POLE MCB	2
5	C13	10AMP IEC	20
6	C19	16 AMP IEC	4
7	BUTAL-01 REV A	MOUNTING BUTTON	2

DEFAULT OUTLETS STATE FOR CONTROLLABLE PDU	N/A
INTERNAL POWER SUPPLY	NO
COMMUNICATION MODE	RS485



DETAIL A  
SCALE 1:4

TITLE		30 AMP, SINGLE PHASE, VERTICAL, PDU, 30 AMP NEMA L5-30P 3m STANDARD CABLE, 30 AMP SPLIT INTO TWO 15 AMP BRANCHES WITH 20 AMP AIRPAX DOUBLE POLE MCB, 10x C13 NO INDIVIDUAL NEON, 2x C19 NO INDIVIDUAL NEON (TOTAL PER STRIP 20x C13, 4x C19 AND 2x MCB) MONITOR ONLY	
ITEM REVISION NAME		13A095EJ/00	
DATASET FILE NAME		13A095EJ_DC02/00A	
PART NUMBER:		<b>PANDUIT</b>	
V3X1D1M2N24AV		REF NUMBER:	
O0B020		SHT 1 OF 1	
DRAWN BY	DATE	CHK	SCALE
PJST	05/28/14	JPMC	N/A
REV	DATE	BY	CHK
R	05/28/14	PJST	JPMC
APR	TSB	RELEASED TO PRODUCTION	
ECN	13A095EJ-01		
SIZE	A		