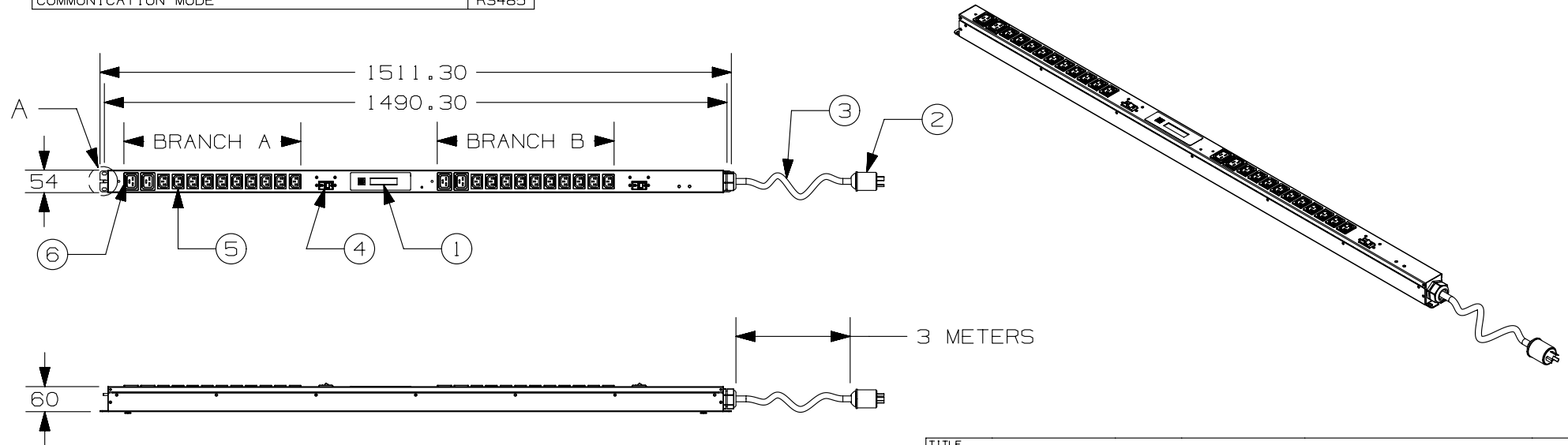


THIS COPY IS PROVIDED ON A RESTRICTED BASIS AND IS NOT TO BE USED IN ANY WAY DETRIMENTAL TO THE INTERESTS OF PANDUIT CORP.

ITEM NO.	PART NO.	DESCRIPTION	QTY.
1	SINGLE PHASE	SINGLE PHASE MONITOR DISPLAY	1
2	NEMA L6-30P	208V 30A	1
3	CABLE - 3 METERS	3 METER CABLE LENGTH	1
4	CARLING 20AMP DOUBLE POLE	20AMP DOUBLE POLE MCB	2
5	C13	10AMP IEC	20
6	C19	16 AMP IEC	4
7	BUTAL-01 REV A	MOUNTING BUTTON	2

DEFAULT OUTLETS STATE FOR CONTROLLABLE PDU	N/A
INTERNAL POWER SUPPLY	NO
COMMUNICATION MODE	RS485



TITLE		30AMP, SINGLE PHASE, VERTICAL, PDU, 30AMP NEMA L6-30P 3m STANDARD CABLE, 30 AMP SPLIT INTO TWO 15 AMP BRANCHES WITH 20 AMP AIRPAX DOUBLE POLE MCB, 10x C13 NO INDIVIDUAL NEON, 2x C19 NO INDIVIDUAL NEON (TOTAL PER STRIP 20x C13, 4x C19 AND 2x MCB) MONITOR ONLY	
CUSTOMER DRAWING			
ITEM REVISION NAME	13A095EH/00	<b>PANDUIT</b>	
DATASET FILE NAME	13A095EH_DC02/00A		
		PART NUMBER: <b>V3X1D1L2N24AV</b>	
		REF NUMBER: OOB021	
DRAWN BY	DATE	CHK	SCALE
PJST	05/28/14	JPMC	N/A
REV		DESCRIPTION	
R		RELEASED TO PRODUCTION	
ECN		13A095EH-02	
SHT 1 OF 1		A	