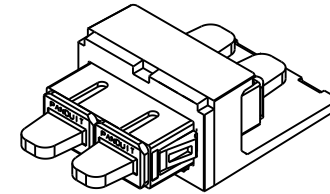
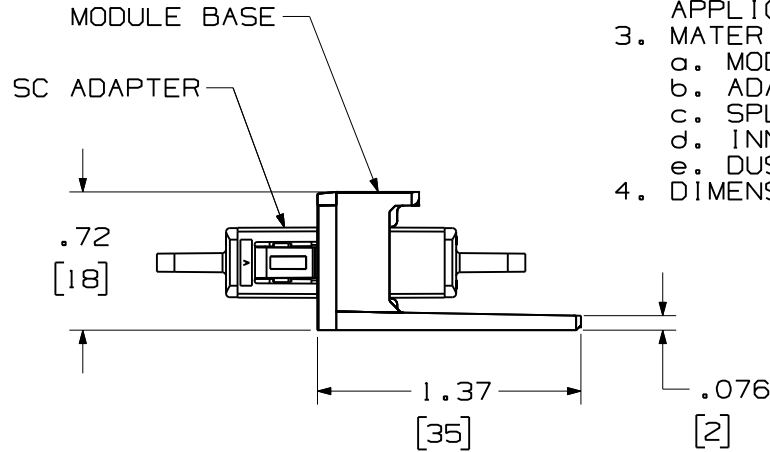
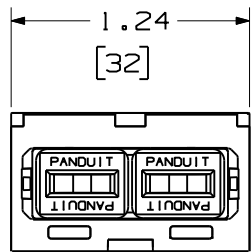
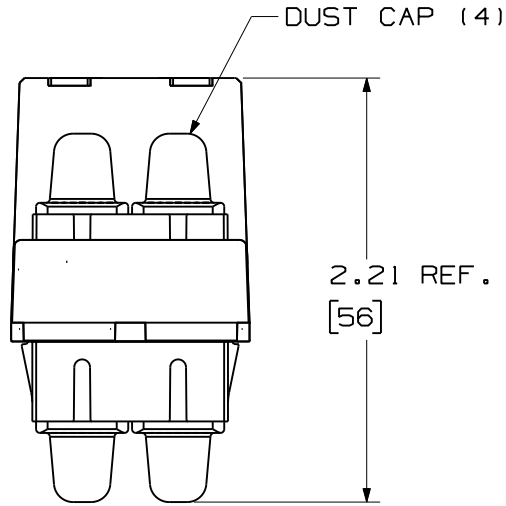


THIS COPY IS PROVIDED ON A RESTRICTED BASIS AND IS NOT TO BE USED IN ANY WAY DETRIMENTAL TO THE INTERESTS OF PANDUIT CORP.




| PANDUIT P/N | WEIGHT | SPLIT SLEEVE TYPE |
|-------------|--------------------------------------|-------------------|
| CMDAQSC** | 2.2 lbs/100 pcs (980.0 g/100 pcs) | PHOS BRONZE |
| CMDEISC** | | |
| CMDBUSC** | | |
| CMDAGSCZ** | 2.2 lbs/100 pcs (980.0 g/100 pcs) | ZIRCONIA |
| CMDAQSCZ** | | |
| CMDEISCZ** | | |
| CMDBUSCZ** | | |

NOTES:

1. SEE CURRENT CATALOG FOR PART NUMBER SUFFIXES TO INDICATE COLOR OF MODULE BASE, AND/OR PACKAGE QUANTITIES.
2. SEE CATALOG FOR COMPLETE LIST OF PARTS APPLICABLE FOR USE WITH THIS PART.
3. MATERIALS:
 - a. MODULE BASE: PLASTIC
 - b. ADAPTER HOUSING: PLASTIC
 - c. SPLIT SLEEVE: ZIRCONIA/PHOS BRONZE
 - d. INNER LATCH: POLYETHERIMIDE
 - e. DUST CAP: ELASTOMER
4. DIMENSIONS IN PARENTHESES ARE IN METRIC.

| REV | DATE | BY | CHK | DESCRIPTION | ECN | R | CUST | SUP | OTH |
|-----|----------|----|-----|------------------------|----------|---|------|-----|-----|
| 3 | 10-30-07 | MC | | RELEASED TO PRODUCTION | 01115-09 | | | | |

MINI-COM DUPLEX SC MODULE
CUSTOMER DRAWING



PANDUIT™
CORP.
TINLEY PARK, ILL 60477

ALL DIMENSIONS ARE GIVEN IN INCHES UNLESS OTHERWISE SPECIFIED.

DIMENSIONAL TOLERANCES ARE:
(.X) (.XXX)±.010 (0.3)
(.XX)±.03 (0.8) ANGLES

DRAWING FILENAME
MO1115BG_DC_01A.prt

SCALE
NONE

PART NO.
SEE TABLE

DRAWING NO.
01115-09

SIZE
A

THIRD ANGLE PROJECTION

DRAWN BY
MC

DATE
06-20-01

CHK'D
PJ1

REVIEW DRAWING NUMBERS