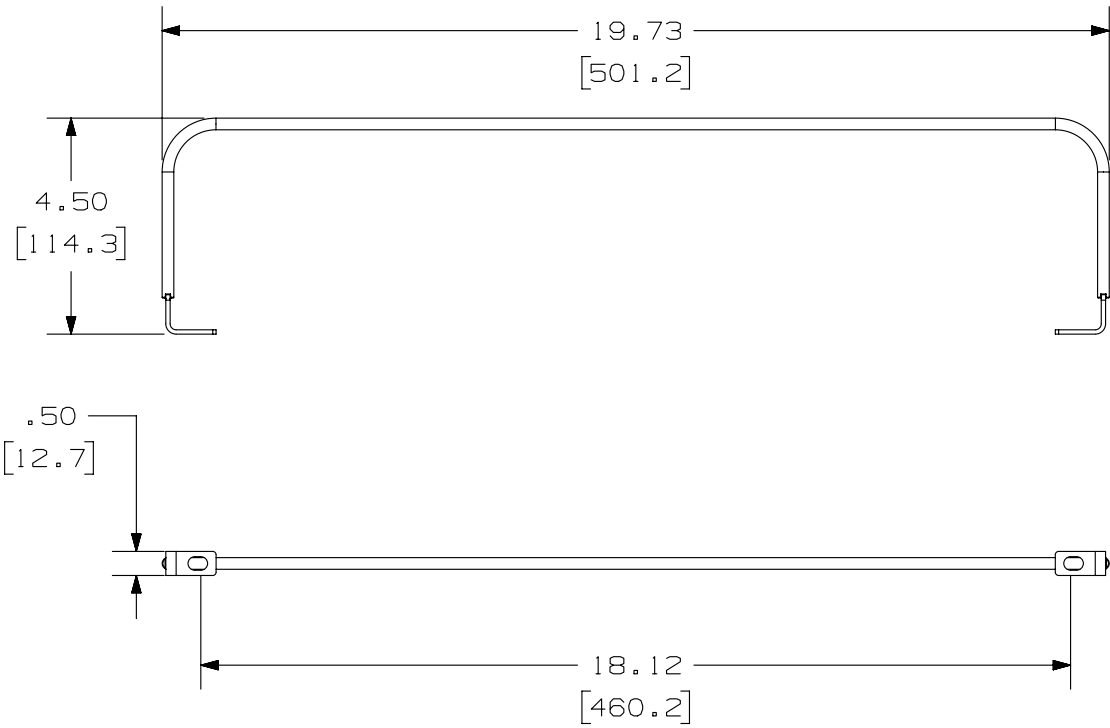


2

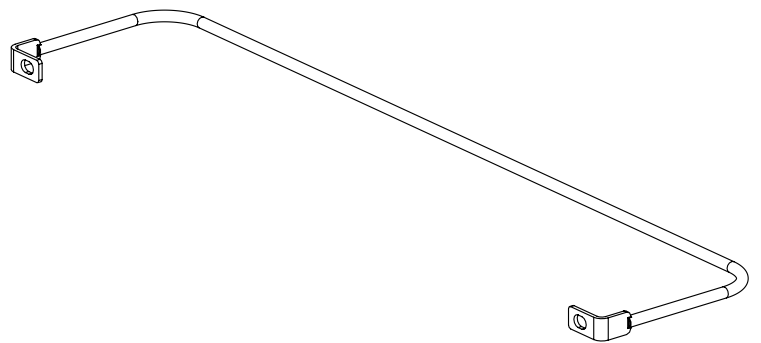
1

THIS COPY IS PROVIDED ON A RESTRICTED BASIS AND IS NOT TO BE USED IN ANY WAY DETRIMENTAL TO THE INTERESTS OF PANDUIT CORP.

PANDUIT P/N	WEIGHT
SRB19D5BL	.37 LB/EACH PC (169.1 g/EACH PC)



- NOTES:
1. SEE CURRENT CATALOG FOR ADDITIONAL PART NUMBER SUFFIXES TO INDICATE COLOR AND OR PACKAGE QUANTITY.
  2. SEE CATALOG FOR COMPLETE LIST OF PARTS APPLICABLE FOR USE WITH THIS PART.
  3. DIMENSIONS IN PARENTHESES ARE IN METRIC.
  4. PART INCLUDES:
    - 1- EXTENDED STRAIN RELIEF BAR
    - 1- #12-24 SCREW KIT (INCLUDES 4 SCREWS)
    - 1- M6 SCREW KIT (INCLUDES 4 SCREWS)



PART NUMBER		SRB19D5BL	
TITLE		EXTENDED STRAIN RELIEF BAR	
		CUSTOMER DRAWING	
ITEM REVISION NAME		M03137BC/02	
DATASET FILE NAME		M03137BC_DC/02B	
UNLESS OTHERWISE SPECIFIED, DIMENSIONAL TOLERANCES ARE: IN (mm)		MATERIAL:	
.x ± .xxx ± .010 [.3]		STEEL BAR STOCK	
.xx ± .03 [.8] ANGLES ±		DRAWING NUMBER:	
THIRD ANGLE PROJECTION		03137-06	
DRAWN BY	DATE	CHK	SCALE
JSP	1-14-09	TCK	NONE
REV		SHT 1 OF 1	
DATE		SIZE	
BY		A	
CHK			
APR			
DESCRIPTION			
ECN			

1	4-30-14	BJN	JSP	MMR	REVISED & REDRAWN PREVIOUS REVISIONS REMOVED FOR CLARITY	03137-06
REV	DATE	BY	CHK	APR	DESCRIPTION	ECN

D10100DA/14

2

1