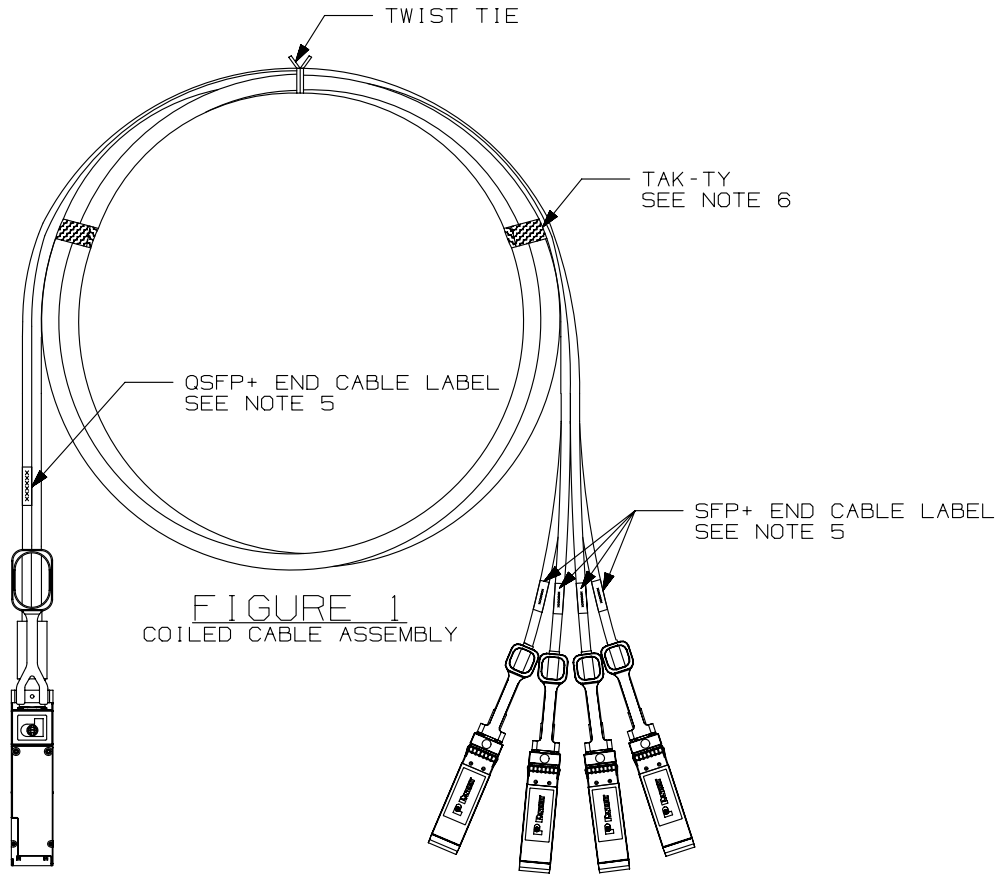
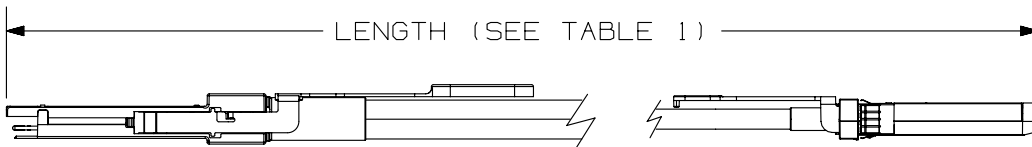


THIS COPY IS PROVIDED ON A RESTRICTED BASIS AND IS NOT TO BE USED IN ANY WAY DETRIMENTAL TO THE INTERESTS OF PANDUIT CORP.



- NOTES:
- SEE CATALOG FOR COMPLETE LIST OF PARTS APPLICABLE FOR USE WITH THIS PART.
 - PRODUCT DESCRIPTION:
 SFP+ CABLE END-
 A. 1 LANE, 10Gbps
 B. STANDARD SFP+ CONNECTOR
 C. CL2 RATED JACKET
 QSFP+ CABLE END-
 A. 4 LANE, 10Gbps/LANE
 B. STANDARD QSFP CONNECTOR
 C. CL2 RATED JACKET
 - SFP+ CONNECTOR MATES WITH SFP+ SFF-8431 INTERFACE.
 - QSFP+ CONNECTOR MATES WITH QSFP SFF-8436 INTERFACE.
 - QSFP+ END CABLE LABEL CONTAINS PRODUCT DESCRIPTION, PART NUMBER, LENGTH, WIRE GAUGE AND MANUFACTURING SERIAL NUMBER. SFP+ ENDS WILL HAVE CABLE NUMBER LABEL.
 - 1 AND 1.5 METER CABLES WILL HAVE 2 BLACK TAK-TY'S, 2 AND 2.5 METER CABLES WILL HAVE 3 BLACK TAK-TY'S AND 3 AND 3.5 METER CABLES WILL HAVE 4 BLACK TAK-TY'S, ALL EQUALLY SPACED.

PANDUIT PART NUMBER	P/N CODE FOR LENGTH	LENGTH IN FEET	CABLE AWG
PHQ4SFPXA1MBL	1M	3.3 FT	30
PHQ4SFPXA1.5MBL	1.5M	4.9 FT	30
PHQ4SFPXA2MBL	2M	6.6 FT	30
PHQ4SFPXA2.5MBL	2.5M	8.2 FT	30
PHQ4SFPXA3MBL	3M	9.8 FT	30
PHQ4SFPXA3.5MBL	3.5M	11.5 FT	30



PART NUMBER		SEE TABLE 1	
TITLE			
QSFP+ TO 4X SFP+ HYDRA CABLE			
CUSTOMER DRAWING			
ITEM REVISION NAME		11M284AF/01	
DATASET FILE NAME		11M284AF_DC02/01A	
UNLESS OTHERWISE SPECIFIED, DIMENSIONAL TOLERANCES ARE: IN (mm)			
.x ± .xxx ± .010 (.3) .xx ± .03 (.8) ANGLES ±			
DRAWING NUMBER:		11M284AF-02	
DRAWN BY	DATE	CHK	SCALE
MDJr	12-20-11		NONE
SHT 1 OF 2		A	

REV	DATE	BY	CHK	APR	DESCRIPTION	ECN
1	5-27-14	BJN	JSP	FMS	REVISED & REDRAWN PREVIOUS REVISIONS REMVD FOR CLARITY	11M284AF-02

D10100DA/14

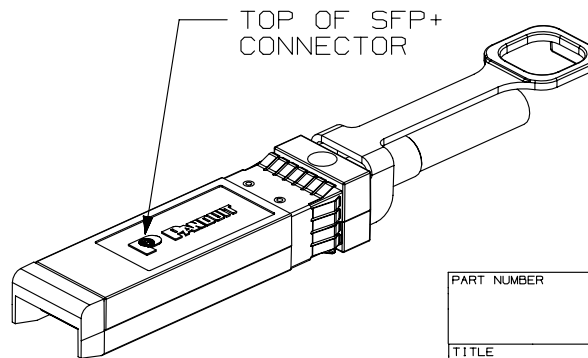
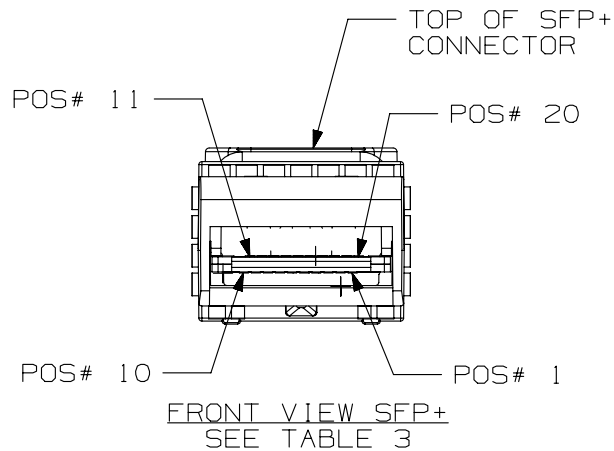
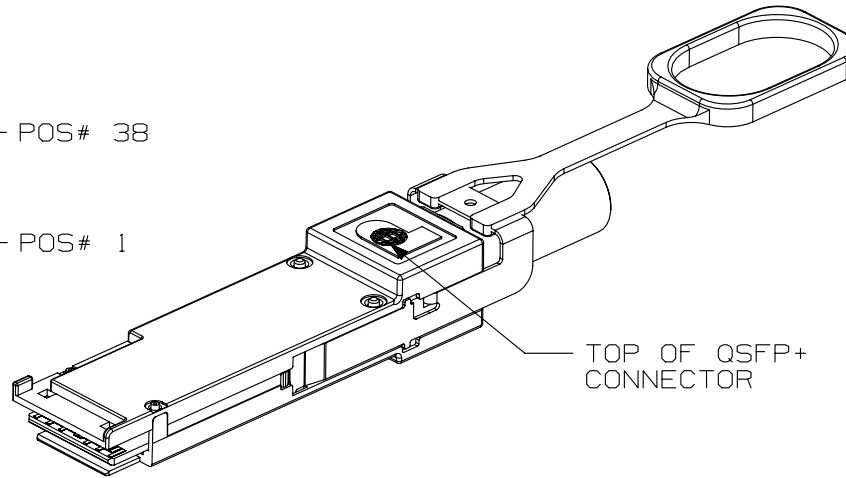
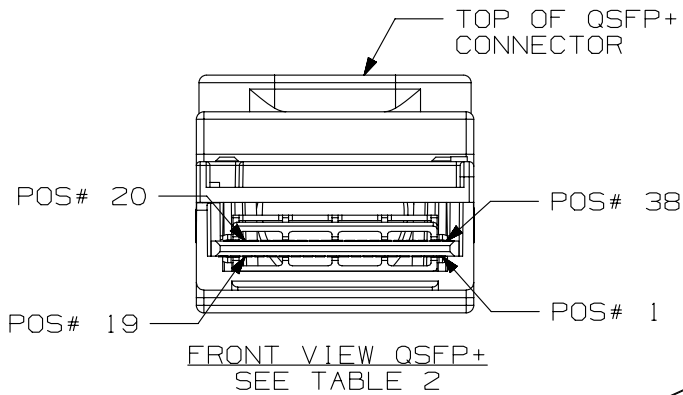
THIS COPY IS PROVIDED ON A RESTRICTED BASIS AND IS NOT TO BE USED IN ANY WAY DETRIMENTAL TO THE INTERESTS OF PANDUIT CORP.

TABLE 2
QSFP+ PINOUT DIAGRAM

BOTTOM SIDE		TOP SIDE	
POS #	SIGNAL	POS #	SIGNAL
1	GND	20	GND
2	TX2-	21	RX2-
3	TX2+	22	RX2+
4	GND	23	GND
5	TX4-	24	RX4-
6	TX4+	25	RX4+
7	GND	26	GND
8	MODESELL	27	MODPRSL
9	RESETL	28	INTL
10	VCC RX	29	VCC TX
11	SCL	30	VCC1
12	SDA	31	LPMODE
13	GND	32	GND
14	RX3+	33	TX3+
15	RX3-	34	TX3-
16	GND	35	GND
17	RX1+	36	TX1+
18	RX1-	37	TX1-
19	GND	38	GND

TABLE 3
SFP+ PINOUT DIAGRAM

BOTTOM SIDE		TOP SIDE	
POS #	SIGNAL	POS #	SIGNAL
1	VEET*	11	VEER*
2	TX_FAULT**	12	RD-
3	TX_DISABLE**	13	RD+
4	SDA	14	VEER*
5	SCL	15	VCCR
6	MOD_ABS	16	VCCT
7	RS0	17	VEET*
8	RX_LOS**	18	TD+
9	RS1	19	TD-
10	VEER*	20	VEET*



- * VEE PINS CONNECT FIRST UPON PLUGGING IN.
- ** TX_FAULT, TX_DISABLE, AND RX_LOS ARE DEFINED IN SFF-8431, BUT ARE NOT USED IN PASSIVE DIRECT ATTACH COPPER CABLES.

PART NUMBER		SEE TABLE 1	
TITLE			
QSFP+ TO 4X SFP+ HYDRA CABLE			
CUSTOMER DRAWING			
ITEM REVISION NAME		11M284AF/01	
DATASET FILE NAME		11M284AF_DC02/01A	
UNLESS OTHERWISE SPECIFIED, DIMENSIONAL TOLERANCES ARE: IN [mm]		PANDUIT	
.x ± .xxx ± .010 [.3] .xx ± .03 [.8]			
DRAWING NUMBER:		11M284AF-02	
DRAWN BY	DATE	CHK	SCALE
MDJr	12-20-11		NONE
THIRD ANGLE PROJECTION			
REV	DATE	BY	CHK
1	5-27-14	BJN	JSP
DESCRIPTION		ECN	
SEE SHEET 1 FOR REVISION HISTORY		11M284AF-02	
SHT 2 OF 2		A	

D10100DA/14