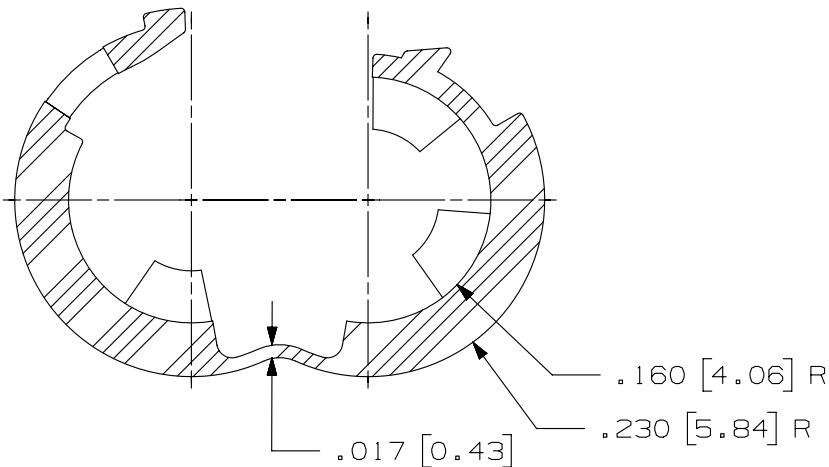
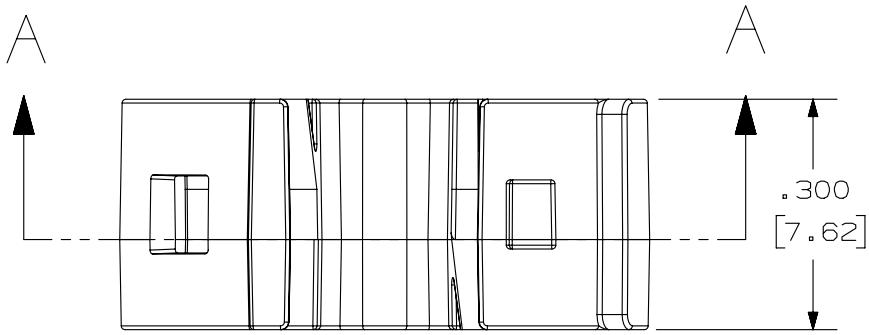


THIS COPY IS PROVIDED ON A RESTRICTED BASIS AND IS NOT TO BE USED IN ANY WAY DETRIMENTAL TO THE INTERESTS OF PANDUIT CORP.

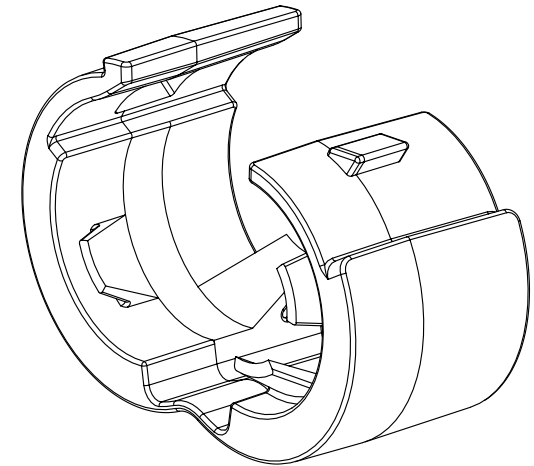


SECTION A - A PARTING LINE

PANDUIT P/N	WEIGHT
PCBAND**-Q	.0186 LB/25 PCS (8.42 g/25 PCS)

NOTE:

1. SEE CURRENT CATALOG FOR ADDITIONAL PART NUMBER SUFFIXES TO INDICATE COLOR AND/OR PACKAGE QUANTITY. (** DENOTES COLOR)
2. SEE CATALOG FOR COMPLETE LIST OF PARTS APPLICABLE FOR USE WITH THIS PART.
3. DIMENSIONS IN PARENTHESES ARE IN METRIC.
4. MATERIALS: POLYPROPYLENE, COLORANT
5. FOR USE WITH .188" TO .310" DIA. CABLES



PART NUMBER		PCBAND**-Q	
TITLE			
PATCH CORD COLOR BAND		CUSTOMER DRAWING	
ITEM REVISION NAME		M03027BB/03	
DATASET FILE NAME		M03027BB_DC02/03E	
UNLESS OTHERWISE SPECIFIED, DIMENSIONAL TOLERANCES ARE: IN (mm)		MATERIAL:	
.x ± .xxx ± .010 [.3]		DRAWING NUMBER:	
.xx ± .03 [.8] ANGLES ±		03027-02	
THIRD ANGLE PROJECTION		SHT 1 OF 1	
DRAWN BY	DATE	CHK	SCALE
BJN	5-13-08	KA	NONE
REV	DATE	BY	CHK
4	5/27/14	JSP	REFR
BY	CHK	APR	DESCRIPTION
EJH			REVISED AND REDRAWN, PREVIOUS REVISIONS HAVE BEEN OMITTED.
			ECN
			03027-02

D10100DA/14