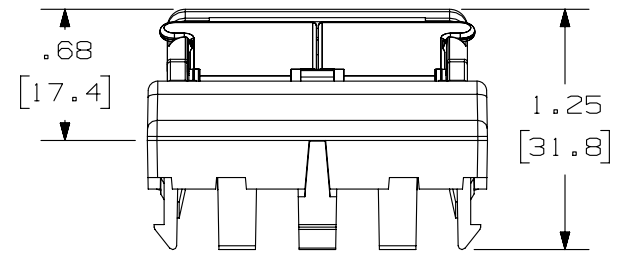
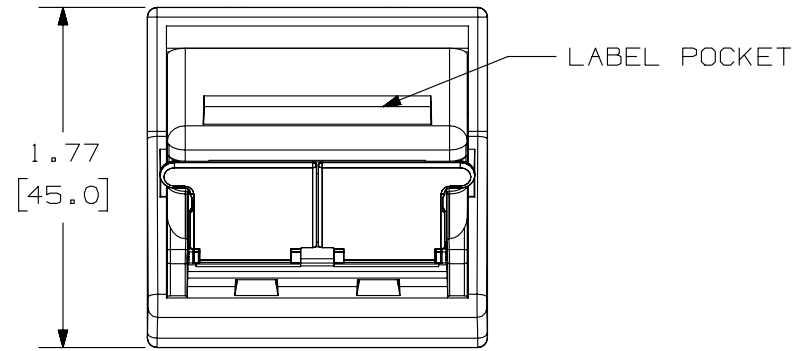
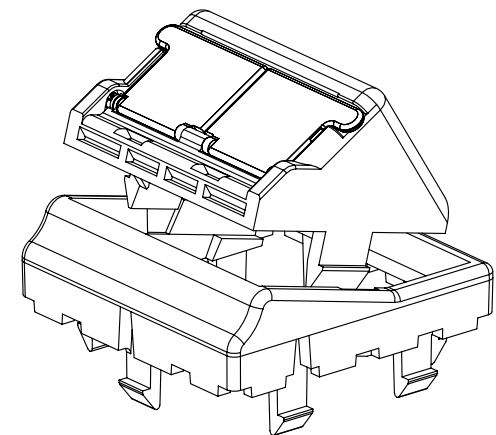


THIS COPY IS PROVIDED ON A RESTRICTED BASIS AND IS NOT TO BE USED IN ANY WAY DETRIMENTAL TO THE INTERESTS OF PANDUIT CORP.

PANDUIT P/N	WEIGHT
CFP45LS2S**	.30 LB/10 PCS (135.2 g/10 PCS)



- NOTES:
1. SEE CURRENT CATALOG FOR ADDITIONAL PART NUMBER SUFFIXES TO INDICATE COLOR AND OR PACKAGE QUANTITY.
  2. SEE CATALOG FOR COMPLETE LIST OF PARTS APPLICABLE FOR USE WITH THIS PART.
  3. DIMENSIONS IN [ ] ARE IN METRIC.
  4. PART INCLUDES:  
1- 45 X 45 ADAPTER  
1- CHLS2S\*\*



PART NUMBER		CFP45LS2S**	
TITLE			
MINI-COM 2 POSITION SLOPED SHUTTERED FRENCH ADAPTER KIT WITH LABEL			
CUSTOMER DRAWING			
ITEM REVISION NAME		10M159AB/00	
DATASET FILE NAME		10M159AB_DC/00C	
UNLESS OTHERWISE SPECIFIED, DIMENSIONAL TOLERANCES ARE: IN [ mm ]		MATERIAL:	
.x ± .03 [ .8 ]		ABS	
.xxx ± .010 [ .3 ]		DRAWING NUMBER:	
ANGLES ±		10M159AB-01	
THIRD ANGLE PROJECTION		SHT 1 OF 1	
DRAWN BY	DATE	CHK	SCALE
JSP	2-11-10	MBVE	NONE
REV	DATE	BY	CHK
1	3/28/14	JSP	REFR
R	2-11-10	JSP	MBVE
DESCRIPTION		ECN	
A. REVISED DRAWING TITLE BLOCK.		10M159AB-01	
RELEASED TO PRODUCTION		10M159AB-01	

D10100DA/14