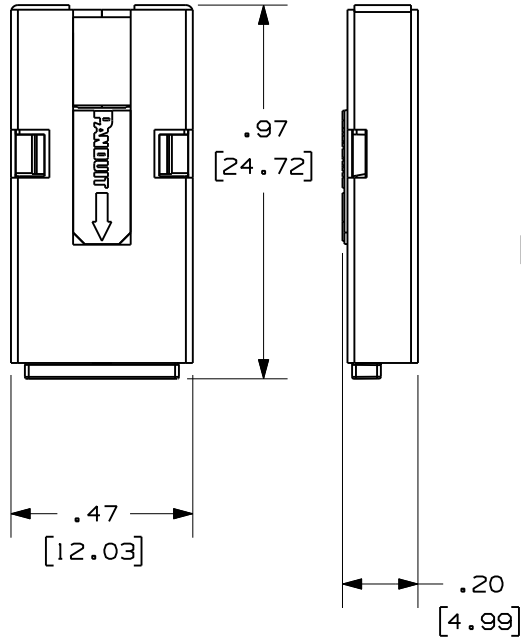
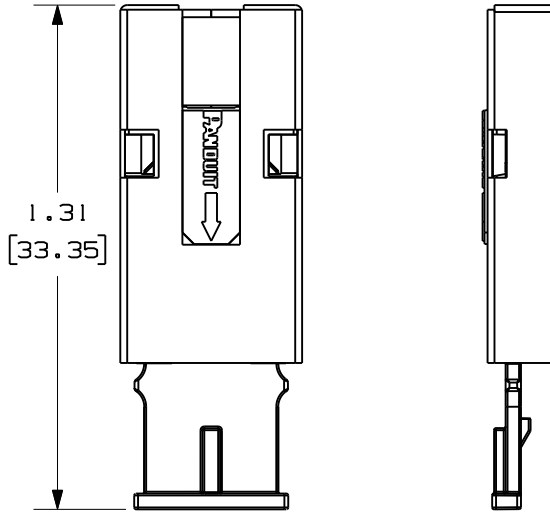


THIS COPY IS PROVIDED ON A RESTRICTED BASIS AND IS NOT TO BE USED IN ANY WAY DETRIMENTAL TO THE INTERESTS OF PANDUIT CORP.

INSTALLED CONFIGURATION

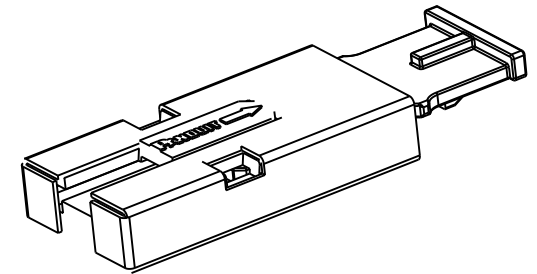


INSTALLATION CONFIGURATION



NOTES:

1. () DENOTE MILLIMETERS
2. TEMPERATURE RANGE:
-40°F (-40°C) TO 120°F (60°C)
3. RoHS COMPLIANT



CAD FILENAME/LAYERS 100923UT_DC_C10947/02A

PANDUIT CORP. TINLEY PARK, ILLINOIS

PSL-USBA CUSTOMER DRAWING

UNLESS OTHERWISE SPECIFIED,
DIMENSIONAL TOLERANCES ARE:
(.X) ± .1 (XXX) ± .015
(.XX) ± .03 ANGLES ± 5°

UNLESS OTHERWISE SPECIFIED,
ALL DIMENSIONS ARE GIVEN
IN INCHES, THIRD ANGLE PROJECTION.

DRAWN BY
JHAC
DATE
10/06/11
CHK'D

MAT'L:
RED POLYCARBONATE
AND
STAINLESS STEEL

SCALE 2:1
DRAWING NO. 10947
DWG SIZE A

0	10/6/11	JHAC		DRAWING RELEASE	6533				
REV	DATE	BY	CHK	DESCRIPTION	ECN	R	CUST	SUP	