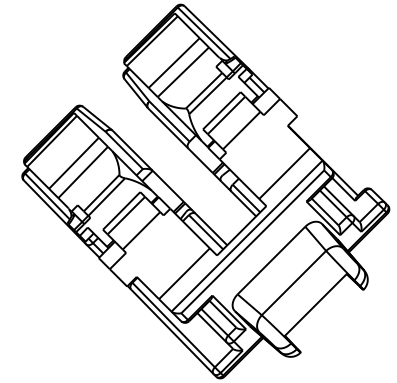
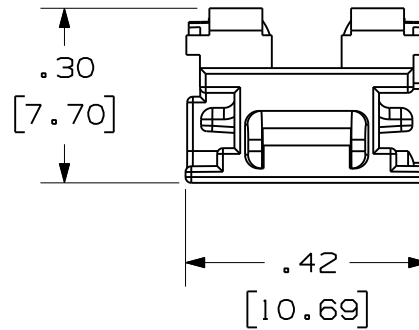
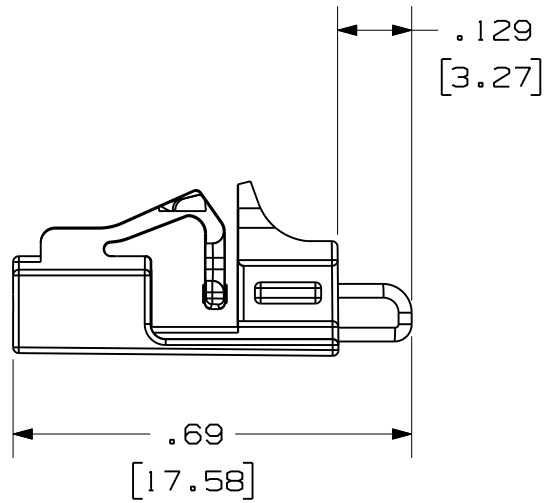


THIS COPY IS PROVIDED ON A RESTRICTED BASIS AND IS NOT TO BE USED IN ANY WAY DETRIMENTAL TO THE INTERESTS OF PANDUIT CORP.



NOTES

1. COMPATIBLE WITH MOST FOCIS-10 DUPLEX ADAPTERS
2. DIMENSIONS IN [] ARE MILLIMETERS
3. AVAILABLE IS THE FOLLOWING COLORS

PART NUMBER	COLOR
PSL-LCAB	RED
PSL-LCAB-BL	BLACK
PSL-LCAB-BU	BLUE
PSL-LCAB-EI	BEIGE/ ELECTRIC IVORY
PSL-LCAB-AQ	AQUA

4. STANDARD PACK CONSISTS OF 10 DEVICES AND 1 REMOVAL TOOL
5. ADD "-C" TO PART NUMBER FOR BULK PACKAGE (100 DEVICES AND 5 REMOVAL TOOLS)

CAD FILENAME/LAYERS 100910EC_DC_C10767/03A

REV	DATE	BY	CHK	DESCRIPTION	ECN	R	CUST	SUP
0	3/16/09	JHAC		DRAWING RELEASE	5407	R		

PANDUIT

CORP. TINLEY PARK, ILLINOIS

PSL-LCAB
LC DUPLEX ADAPTER BLOCKOUT
CUSTOMER DRAWING

UNLESS OTHERWISE SPECIFIED, DIMENSIONAL TOLERANCES ARE: (.X) ± .1 (.XXX) ± .01 (.XX) ± .02 ANGLES ± 5°	UNLESS OTHERWISE SPECIFIED, ALL DIMENSIONS ARE GIVEN IN INCHES, THIRD ANGLE PROJECTION.
DRAWN BY JHAC	SCALE 3:1
DATE 03/16/09	DRAWING NO. C10767
CHK'D	DWG A SIZE

POLYCARBONATE