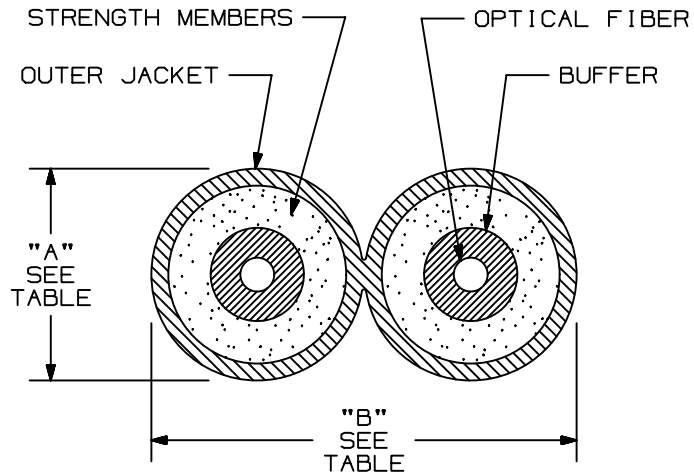


THIS COPY IS PROVIDED ON A RESTRICTED BASIS AND IS NOT TO BE USED IN ANY WAY DETRIMENTAL TO THE INTERESTS OF PANDUIT CORP.



TYPE/DESCRIPTION	COLOR	MAXIMUM LOSS
MULTIMODE 50/125um 10GbE DUPLEX ZIPCORD INTERCONNECT CABLE W/900um TIGHT BUFFER	AQUA	3.5 dB/KM @ 850nm 1.5 dB/KM @ 1300nm

PLENUM - FOIPX02			
TENSILE LOAD		BEND RADIUS	
INSTALLATION	LONG TERM	INSTALLATION	LONG TERM
220 N (50 lbf)	55 N (12.5 lbf)	58 mm (2.3 in)	29 mm (1.1 in)
CABLE DIMENSIONS		TEMPERATURE	
"A" = 2.9mm [.11"] "B" = 5.9mm [.23"]		INSTALLATION/OPERATION	STORAGE
		0°C TO +50°C 32°F TO +122°F	-40°C TO +65°C -40°F TO +149°F

RISER RATED - FOIRX02			
TENSILE LOAD		BEND RADIUS	
INSTALLATION	LONG TERM	INSTALLATION	LONG TERM
220 N (50 lbf)	55 N (12.5 lbf)	58 mm (2.3 in)	29 mm (1.1 in)
CABLE DIMENSIONS		TEMPERATURE	
"A" = 2.9mm [.11"] "B" = 5.9mm [.23"]		INSTALLATION/OPERATION	STORAGE
		-20°C TO +50°C -4°F TO +122°F	-40°C TO +65°C -40°F TO +149°F

WEIGHT OF 2.5km REEL/BOX	
OFNP	OFNR
55.5 kg (122.3 lbs)	51.9 kg (114.4 lbs)

NOTES:

1. DIAMETER DIMENSION SHOWN FOR REFERENCE ONLY.
2. CABLE SUPPLIED IN 2500 METER (8202 FT) LENGTHS.
3. FOR PART NUMBERS AND LENGTHS OTHER THAN THOSE SHOWN, CONTACT YOUR PANDUIT SALES PERSON.

REV	DATE	BY	CHK	DESCRIPTION	ECN	R	CUST	SUP	OTH	CHK'D
R	01-06-05	EFK		RELEASED TO PRODUCTION	02055-17					

MULTIMODE 50/125um OPTI-CORE 10Gb/s OPTI-CORE 10GIG DUPLEX ZIPCORD INTERCONNECT CABLE W/900um TIGHT BUFFER CUSTOMER DRAWING									
 PANDUIT ™ CORP. TINLEY PARK, ILL 60477					ALL DIMENSIONS ARE GIVEN IN INCHES, UNLESS OTHERWISE SPECIFIED, DIMENSIONAL TOLERANCES ARE: (.X) (.XXX)±.010 (0.3) (.XX)±.03 (0.8) ANGLES				
					DRAWING FILENAME M02055BC_DC_2Z-10G_00A.prt SCALE NONE				
DRAWN BY MC					REVIEW DRAWING NUMBERS				
DATE 08-26-04					PART NO. FOIPX02 FOIRX02				
					DRAWING NO. 02055-17				
					SIZE A				