



see also: Point System™ Slide-In-Module Gigabit Ethernet/Fiber Channel Optical Mode Converters

stand-alone media converter

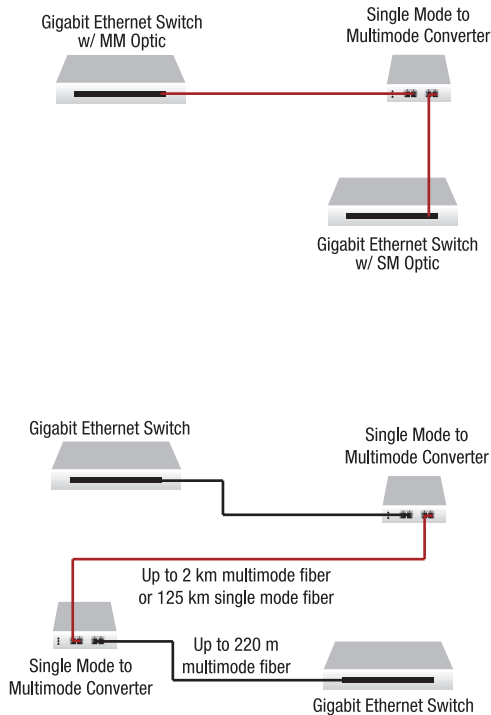
SFMFF1xxx-22x

Gigabit Ethernet/Fiber Channel Optical Mode Converter

Stand-Alone 1000BASE-SX to 1000BASE-LX

Features

- ▶ Auto-Negotiation (1000Base-X ports)
- ▶ Link Pass Through
- ▶ Far-End-Fault (100Base-FX ports)
- ▶ Pause
- ▶ Automatic Link Restoration
- ▶ Protocol Transparency
- ▶ Convert 1000BASE-SX ports on a Gigabit Ethernet switch to 1000BASE-LX on a port-by-port basis
- ▶ Ideal for campus area networks or other applications requiring the distance advantages of single mode fiber



Used individually or in pairs, this mode converter can extend 1000 Mbps Gigabit Ethernet or Fiber Channel signals over single mode fiber up to 125 km.

Ordering Information

SFMFF1313-220

1000BASE-SX 850nm multimode (SC)
 [62.5/125 μ m fiber: 220 m/722 ft.]
 [50/125 μ m fiber: 550 m/1804 ft.]
 Link Budget 7.5 dB
 to 1000BASE-SX 850nm multimode (SC)
 [62.5/125 μ m fiber: 220 m/722 ft.]
 [50/125 μ m fiber: 550 m/1804 ft.]
 Link Budget 7.5 dB

SFMFF1324-220

1000BASE-SX 850nm multimode (SC)
 [62.5/125 μ m fiber: 220 m/722 ft.]
 [50/125 μ m fiber: 550 m/1804 ft.]
 Link Budget 7.0 dB
 to 1000BASE-LX 1310nm Extended MM
 (62.5/125 μ m fiber only) (SC)
 [up to 2 km] Link Budget: 7.0 dB

SFMFF1424-220

1000BASE-LX 1310nm SM (SC)
 [10km/6.2 mi.] Link Budget: 7.0 dB
 to 1000BASE-LX 1310nm Extended MM
 (62.5/125 μ m fiber only) (SC)
 [up to 2 km] Link Budget: 7.0 dB

SFMFF1314-220

1000BASE-SX 850nm multimode (SC)
 [62.5/125 μ m fiber: 220 m/722 ft.]
 [50/125 μ m fiber: 550 m/1804 ft.]
 Link Budget: 7.0 dB
 to 1000BASE-LX 1310nm SM (SC)
 [10 km/6.2 mi.] Link Budget: 7.0 dB

SFMFF1414-220

1000BASE-LX 1310nm SM (SC)
 [10 km/6.2 mi.] Link Budget: 7.0 dB
 to 1000BASE-LX 1310nm SM (SC)
 [10 km/6.2 mi.] Link Budget: 7.0 dB

SFMFF1315-220

1000BASE-SX 850nm multimode (SC)
 [62.5/125 μ m fiber: 220 m/722 ft.]
 [50/125 μ m fiber: 550 m/1804 ft.]
 Link Budget: 7.0 dB
 to 1000BASE-LX 1310nm SM (SC)
 [25 km/15.5 mi.] Link Budget: 15.0 dB

SFMFF1317-220

1000BASE-SX 850nm multimode (SC)
 [62.5/125 μ m fiber: 220 m/722 ft.]
 [50/125 μ m fiber: 550 m/1804 ft.]
 Link Budget: 7.0 dB
 to 1000BASE-LX 1550nm SM (SC)
 [65 km/40.4 mi.] Link Budget: 20.0 dB

SFMFF1335-220

1000BASE-SX 850nm multimode (SC)
 [62.5/125 μ m fiber: 220 m/722 ft.]
 [50/125 μ m fiber: 550 m/1804 ft.]
 Link Budget: 7.0 dB
 to 1000BASE-LX 1550nm SM (SC)
 [125 km/77.7 mi.] Link Budget: 27.0 dB

Single Fiber Products

Recommended use in pairs

SFMFF1329-220

1000BASE-SX 850nm multimode (SC)
 [62.5/125 μ m fiber: 220 m/722 ft.]
 [50/125 μ m fiber: 550 m/1804 ft.]
 Link Budget: 7.0 dB
 to 1000BASE-LX 1310nm TX/1550nm RX
 single fiber single mode (SC)
 [20 km/12.4 mi.] Link Budget: 13.0 dB

SFMFF1329-221

1000BASE-SX 850nm multimode (SC)
 [62.5/125 μ m fiber: 220 m/722 ft.]
 [50/125 μ m fiber: 550 m/1804 ft.]
 Link Budget: 7.0 dB
 to 1000BASE-LX 1550nm TX/1310nm RX
 single fiber single mode (SC)
 [20 km/12.4 mi.] Link Budget: 13.0 dB

SFMFF1329-222

1000BASE-SX 850nm multimode (SC)
 [62.5/125 μ m fiber: 220 m/722 ft.]
 [50/125 μ m fiber: 550 m/1804 ft.]
 Link Budget: 7.0 dB
 to 1000BASE-LX 1310nm TX/1550nm RX
 single fiber single mode (SC)
 [40 km/24.9 mi.] Link Budget: 20.0 dB

SFMFF1329-223

1000BASE-SX 850nm multimode (SC)
 [62.5/125 μ m fiber: 220 m/722 ft.]
 [50/125 μ m fiber: 550 m/1804 ft.]
 Link Budget: 7.0 dB
 to 1000BASE-LX 1550nm TX/1310nm RX
 single fiber single mode (SC)
 [40 km/24.9 mi.] Link Budget: 20.0 dB

SFMFF1429-220

1000BASE-LX 1310nm single mode (SC)
 [10km/6.2 mi.] Link Budget: 10.5.0 dB
 to 1000BASE-LX 1310nm TX/1550nm RX
 single fiber single mode (SC)
 [20 km/12.4 mi.] Link Budget: 13.0 dB

SFMFF1429-221

1000BASE-LX 1310nm single mode (SC)
 [10km/6.2 mi.] Link Budget: 10.5.0 dB
 to 1000BASE-LX 1550nm TX/1310nm RX
 single fiber single mode (SC)
 [20 km/12.4 mi.] Link Budget: 13.0 dB

*62.5/125 μ m fiber: 220 m/722 ft.
 50/125 μ m fiber: 550 m/1804 ft.

Optional Accessories (sold separately)

Wide Input (24 - 60 VDC) Power Supplies

SPS-2460-PS
 Piggy Back Power Supply

SPS-2460-SA
 Stand-Alone Power Supply

Mounting Options

E-MCR-05
 12-Slot Media Converter Rack

RMS19-SA4-01
 4-Slot Media Converter Shelf

WMBD
 DIN Rail Bracket 5.0" [127 mm]

WMBD-F
 DIN Rail Bracket (flat) 3.3" [84 mm]

WMBL
 Wall Mount Bracket 4.0" [102 mm]

WMBV
 Vertical Wall Mount Bracket 5.0" [127 mm]

