

**GENESIS™ TOP-MOUNT INDOOR**


**HB16**  
8000 BTU/Hr.  
2051 Watt



**MHB11**  
2200-4000 BTU/Hr.  
645-1172 Watt

**INDUSTRY STANDARDS**

|  |
|--|
| UL/cUL Listed; Type 12; File No. SA6453<br>UR/cUR Recognized |
|--|

Maintains U/cUL Type 12 rating when properly installed on a UL/cUL Type 12 enclosure.  
 UR/cUR Recognized on select models, reference performance data tables.  
 CE  
 GOST

**APPLICATION**

- Industrial automation
- Package handling equipment
- Security and defense systems
- Ideal for use where there is little or no clearance around the enclosure

**FEATURES**

- Robust reciprocating compressor
- R134a and R407c earth-friendly refrigerant
- Models for 115, 230 and 460 single-phase VAC power input
- UL Listed or Recognized to save customers time and money with agency approvals
- Operating temperature range from 50 F/10 C to 125 F/52 C
- Attractive industrial design with minimal use of visible fasteners

- Reliable mechanical thermostat located behind the filter of the unit
- Low-carbon mild-steel sheet-metal cover for rugged factory environments
- Cleanable, reusable aluminum mesh filter protects coils for maximum cooling performance
- Mounting hardware, gaskets and user manual furnished with the unit
- Every unit functionally tested before shipping
- Standard Indoor Air Conditioner models also include:
  - Electro-Mechanical Thermostat
  - Surge Suppressor
  - Condensate Management System On MHB11 models

**FINISH**

- RAL 7042 gray, semi-gloss powder-coat paint standard
- Other colors and textures available

**OPTIONS**

- Thermostat Malfunction Package
- Special Voltage Package
  - \* Consult the factory for availability and catalog number

**NOTES**

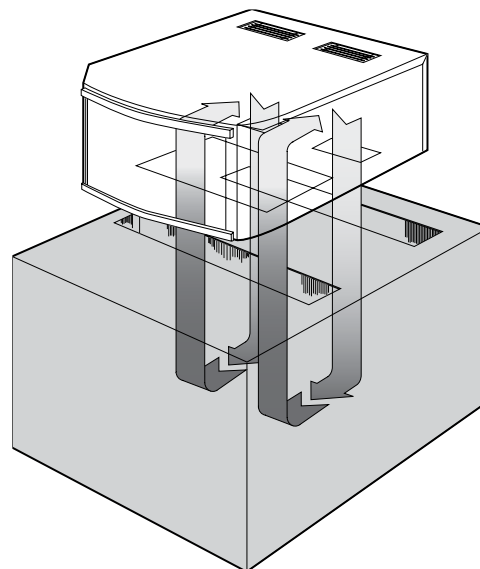
Visit [www.HoffmanOnline.com](http://www.HoffmanOnline.com) to download 2D and 3D CAD drawings into the overall design of your electronic system.

Performance Data **MHB11 Models 2200 BTU/Hr. (645 Watt)**

| CATALOG NUMBER                                  | MHB110216G306   | MHB110226G306                  | MHB110246G400                |
|---|---|--------------------------------|------------------------------|
| <b>COOLING PERFORMANCE</b>                      |   |                                |                              |
| <b>Nominal:</b>                                 |   |                                |                              |
| BTU/Hr.   | 2200/2200   | 2200/2200                      | 2200/2200                    |
| Watts   | 645/645   | 645/645                        | 645/645                      |
| Refrigerant                                     | R-134A  | R-134A                         | R-134A                       |
| Refrigerant Charge (ounces/grams)               | 11/312  | 11/312                         | 11/312                       |
| Operating Temperature Range:                    |   |                                |                              |
| Maximum (°F/°C)                                 | 125/52  | 125/52                         | 125/52                       |
| Minimum (°F/°C)                                 | 50/10   | 50/10                          | 50/10                        |
| Airflow at 0 Static Pressure:                   |   |                                |                              |
| Internal loop 50 Hz (CFM / m <sup>3</sup> /hr.) | 158/268   | 170/289                        | 170/289                      |
| External loop 50 Hz (CFM / m <sup>3</sup> /hr.) | 222/377   | 218/370                        | 218/370                      |
| Internal loop 60 Hz (CFM / m <sup>3</sup> /hr.) | 177/301   | 192/326                        | 192/326                      |
| External loop 60 Hz (CFM / m <sup>3</sup> /hr.) | 252/428   | 245/416                        | 245/416                      |
| <b>ELECTRICAL DATA</b>                          |   |                                |                              |
| Rated Voltage                                   | 115   | 220/230                        | 440/460V 1PH                 |
| Frequency (Hz)                                  | 50/60   | 50/60                          | 50/60                        |
| Operating Range                                 | +/- 10%   | +/- 10%                        | +/- 10%                      |
| Max. Power Consumption (W at 50/60 Hz)          | 1127/1035   | 1210/1058                      | 1320/1150                    |
| Max. Nominal Current (A at 50/60 Hz)            | 9.8/9.0   | 5.5/4.6                        | 3.0/2.5                      |
| Starting Current (A)                            | 28  | 14.4                           | 7.4                          |
| Agency Approvals                                |   | cUL Listed<br>CE<br>GOST       | cUR Recognized<br>CE<br>GOST |
|   | Others available upon request                               |                                |                              |
| Power Input Description                         | 6-ft. cord with NEMA 5-15 plug                              | 6-ft. cord with NEMA 6-15 plug | 6-ft. cord with wire leads   |
| <b>ENCLOSURE PROTECTION</b>                     |   |                                |                              |
| UL Type   | Type 12 standard  |                                |                              |
| <b>CONTROLLER</b>                               |   |                                |                              |
| Description                                     | Basic mechanical thermostat                                 |                                |                              |
| Thermostat Location                             | Behind filter   |                                |                              |
| Factory Thermostat Setting (°F/°C)              | 80/27   |                                |                              |
| <b>SOUND LEVEL</b>                              |   |                                |                              |
| At 1.5 Meters                                   | 62 dB(A)  |                                |                              |
| <b>UNIT CONSTRUCTION</b>                        |   |                                |                              |
| Material  | Mild steel sheet metal standard<br>Stainless steel optional |                                |                              |
| Finish  | RAL 7042 gray, semi-gloss powder-coat paint standard        |                                |                              |
| <b>UNIT DIMENSIONS</b>                          |   |                                |                              |
| Height (in./mm)                                 | 10.25/260   | 10.25/260                      | 10.25/260                    |
| Width (in./mm)                                  | 17/432  | 17/432                         | 17/432                       |
| Depth (in./mm)                                  | 21.08/535   | 21.08/535                      | 21.08/535                    |
| Weight (lb./kg)                                 | 90/41   | 90/41                          | 110/50                       |

Performance Data **MHB11 Models 4000 BTU/Hr. (1172 Watt)**

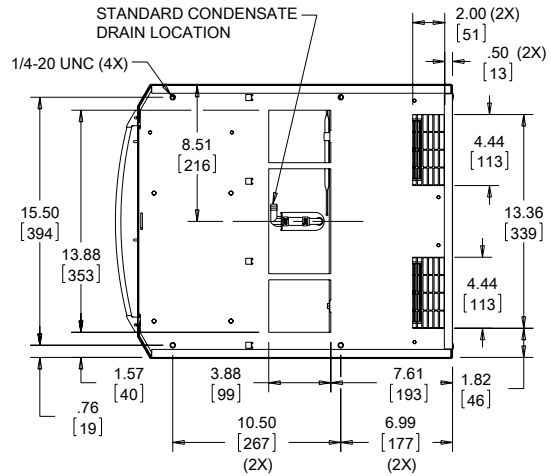
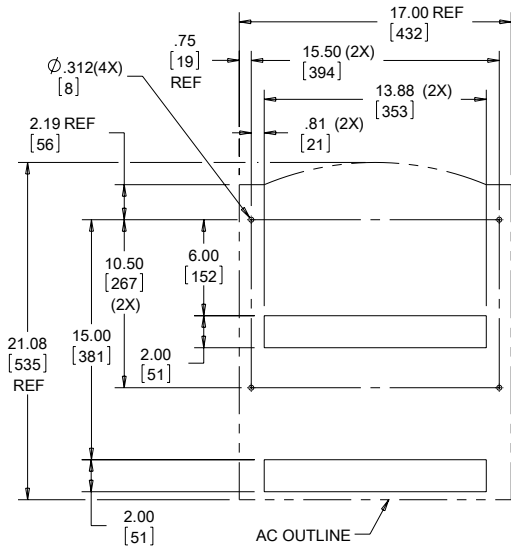
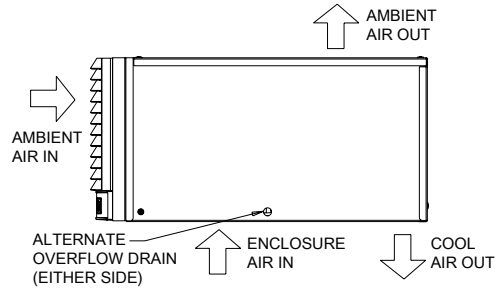
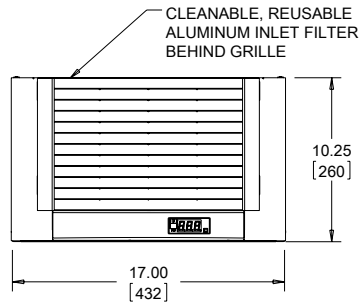
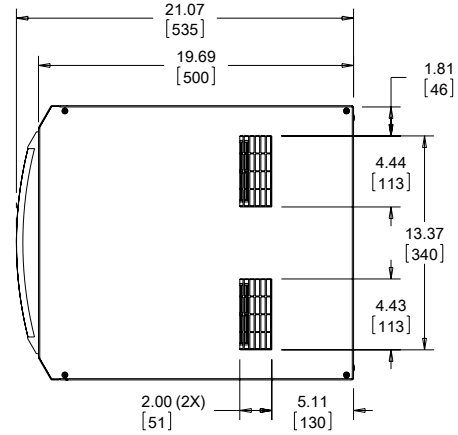
| CATALOG NUMBER                                  |   |                                |                              |
|---|---|--------------------------------|------------------------------|
|   | MHB110416G307   | MHB110426G306                  | MHB110446G400                |
| <b>COOLING PERFORMANCE</b>                      |   |                                |                              |
| <b>Nominal:</b>                                 |   |                                |                              |
| <b>BTU/Hr.</b>                                  | <b>3300/4000</b>  | <b>3300/4000</b>               | <b>3300/4000</b>             |
| <b>Watts</b>                                    | <b>967/1172</b>   | <b>967/1172</b>                | <b>967/1172</b>              |
| Refrigerant                                     | R-134A  | R-134A                         | R-134A                       |
| Refrigerant Charge (ounces/grams)               | 13/369  | 13/369                         | 13/369                       |
| Operating Temperature Range:                    |   |                                |                              |
| Maximum (°F/°C)                                 | 125/52  | 125/52                         | 125/52                       |
| Minimum (°F/°C)                                 | 50/10   | 50/10                          | 50/10                        |
| Airflow at 0 Static Pressure:                   |   |                                |                              |
| Internal loop 50 Hz (CFM / m <sup>3</sup> /hr.) | 158/268   | 170/289                        | 170/289                      |
| External loop 50 Hz (CFM / m <sup>3</sup> /hr.) | 222/377   | 218/370                        | 218/370                      |
| Internal loop 60 Hz (CFM / m <sup>3</sup> /hr.) | 177/301   | 192/326                        | 192/326                      |
| External loop 60 Hz (CFM / m <sup>3</sup> /hr.) | 252/428   | 245/416                        | 245/416                      |
| <b>ELECTRICAL DATA</b>                          |   |                                |                              |
| <b>Rated Voltage</b>                            | <b>110/115</b>  | <b>220/230</b>                 | <b>440/460V 1PH</b>          |
| Frequency (Hz)                                  | 50/60   | 50/60                          | 50/60                        |
| Operating Range                                 | +/- 10%   | +/- 10%                        | +/- 10%                      |
| Max. Power Consumption (W at 50/60 Hz)          | 1617/1564   | 1760/1725                      | 1936/1886                    |
| Max. Nominal Current (A at 50/60 Hz)            | 14.7/13.6   | 8.0/7.5                        | 4.4/4.1                      |
| Starting Current (A)                            | 48  | 23                             | 12                           |
| Agency Approvals                                |   | cUL Listed<br>CE<br>GOST       | cUR Recognized<br>CE<br>GOST |
|   | Others available upon request                               |                                |                              |
| Power Input Description                         | 6-ft. cord with NEMA 5-20 plug                              | 6-ft. cord with NEMA 6-15 plug | 6-ft. cord with wire leads   |
| <b>ENCLOSURE PROTECTION</b>                     |   |                                |                              |
| UL Type   | Type 12 standard  |                                |                              |
| <b>CONTROLLER</b>                               |   |                                |                              |
| Description                                     | Basic mechanical thermostat                                 |                                |                              |
| Thermostat Location                             | Behind filter   |                                |                              |
| Factory Thermostat Setting (°F/°C)              | 80/27   |                                |                              |
| <b>SOUND LEVEL</b>                              |   |                                |                              |
| At 1.5 Meters                                   | 62 dB(A)  |                                |                              |
| <b>UNIT CONSTRUCTION</b>                        |   |                                |                              |
| Material  | Mild steel sheet metal standard<br>Stainless steel optional |                                |                              |
| Finish  | RAL 7042 gray, semi-gloss powder-coat paint standard        |                                |                              |
| <b>UNIT DIMENSIONS</b>                          |   |                                |                              |
| Height (in./mm)                                 | 10.25/260   | 10.25/260                      | 10.25/260                    |
| Width (in./mm)                                  | 17/432  | 17/432                         | 17/432                       |
| Depth (in./mm)                                  | 21.08/535   | 21.08/535                      | 21.08/535                    |
| Weight (lb./kg)                                 | 108/49  | 108/49                         | 128/58                       |



**Top-Mount to Enclosure**

MHB11 Models 2200-4000 BTU/Hr. (645-1172 Watt)

- NOTE:  
 1. MOUNTING GASKET SUPPLIED (NOT SHOWN)  
 2. UNITS: in. [mm]  
 3. CUTOUT DIMENSIONS FOR STANDARD UNITS ONLY



89045044

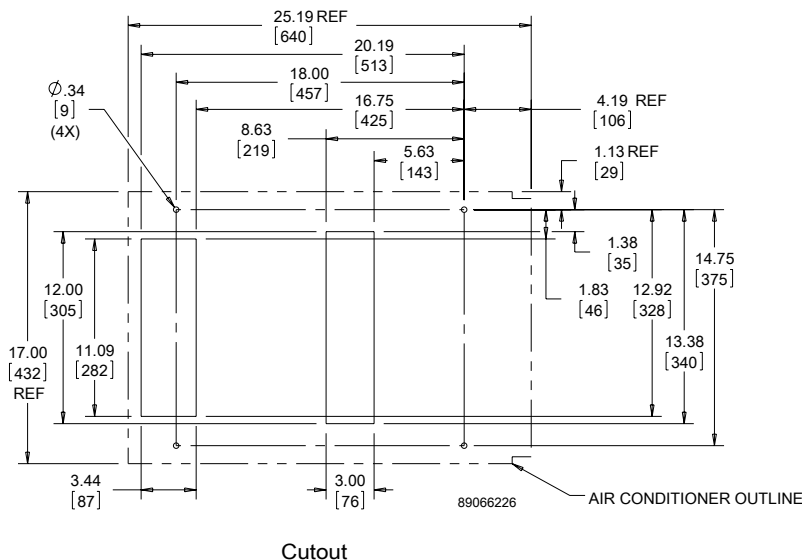
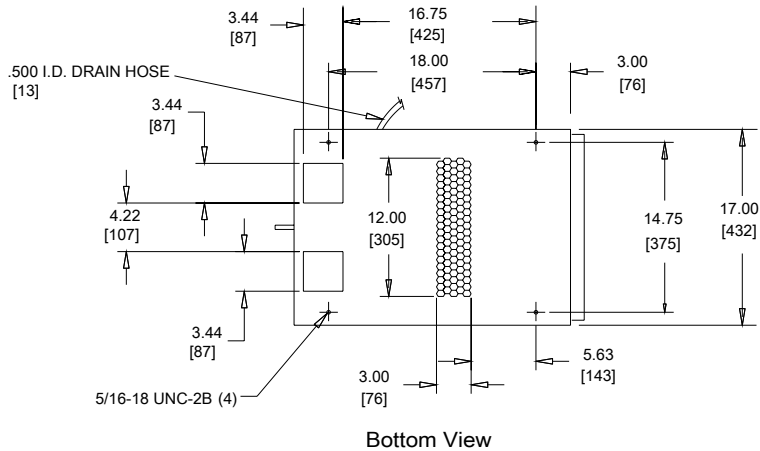
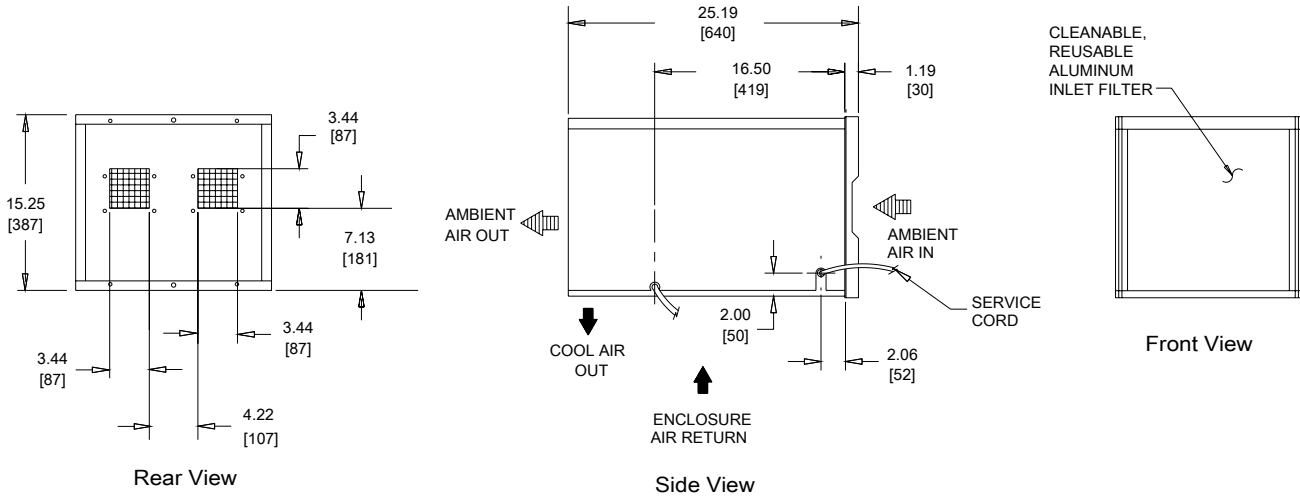
Cutout Dimensions

Visit [www.HoffmanOnline.com](http://www.HoffmanOnline.com) to download 2D and 3D CAD drawings into the overall design of your electronic system.

**Performance Data HB16 Models 8000 BTU/Hr. (2051 Watt)**

| <b>MODEL NUMBER</b>                    |   |                                |                                 |
|--|---|--------------------------------|---------------------------------|
| Indoor Model                           | HB160816G040  | HB160826G040                   | HB160846G040                    |
| <b>COOLING PERFORMANCE</b>             |   |                                |                                 |
| Nominal:                               |   |                                |                                 |
| <b>BTU/Hr.</b>                         | <b>7000/8000</b>  | <b>7000/8000</b>               | <b>7000/8000</b>                |
| <b>Watts</b>                           | <b>2051/2344</b>  | <b>2051/2344</b>               | <b>2051/2344</b>                |
| At 125 F/125 F (52 C/52 C):            |   |                                |                                 |
| BTU/Hr. (50/60 Hz)                     | 6975/8137   | 7075/8133                      | 7075/8133                       |
| Watts (50/60 Hz)                       | 2044/2385   | 2073/2384                      | 2073/2384                       |
| At 95 F/95 F (35 C/35 C):              |   |                                |                                 |
| BTU/Hr. (50/60 Hz)                     | 6959/8236   | 6958/7774                      | 6958/7774                       |
| W (50/60 Hz)                           | 2039/2414   | 2039/2278                      | 2039/2278                       |
| Refrigerant                            | R-407C  | R-407C                         | R-407C                          |
| Refrigerant Charge (ounces/grams)      | 24/680  | 24/680                         | 24/680                          |
| Operating Temperature Range:           |   |                                |                                 |
| Maximum (°F/°C)                        | 125/52  | 125/52                         | 125/52                          |
| Minimum (°F/°C)                        | 50/10   | 50/10                          | 50/10                           |
| <b>ELECTRICAL DATA</b>                 |   |                                |                                 |
| <b>Rated Voltage</b>                   | <b>115</b>  | <b>230</b>                     | <b>460</b>                      |
| Frequency (Hz)                         | 50/60   | 50/60                          | 50/60                           |
| Operating Range                        | +/- 10%   | +/- 10%                        | +/- 10%                         |
| Max. Power Consumption [W at 50/60 Hz] | 1822/2223   | 1785/2105                      | 2162                            |
| Max. Nominal Current [A at 50/60 Hz]   | 18.7/20.4   | 8.5/9.3                        | 4.3/4.7                         |
| Starting Current [A]                   | 67  | 29                             | 15                              |
| Agency Approvals                       |   | cUL Listed<br>CE<br>GOST       |                                 |
| Power Input Description                | 6-ft. cord with NEMA 5-20 plug  | 6-ft. cord with NEMA 5-20 plug | 6-ft. cord with NEMA L8-20 plug |
| <b>ENCLOSURE PROTECTION</b>            |   |                                |                                 |
| UL Type                                | Type 12 Standard  |                                |                                 |
| <b>CONTROLLER</b>                      |   |                                |                                 |
| Description                            | Basic Mechanical Thermostat   |                                |                                 |
| Thermostat Location                    | Enclosure Side on All Base Models   |                                |                                 |
| Factory Thermostat Setting (°F/°C)     | 80/27   | 80/27                          | 80/27                           |
| <b>UNIT CONSTRUCTION</b>               |   |                                |                                 |
| Material                               | Galvanized Sheet Metal Standard (Optional: Stainless Steel)                                 |                                |                                 |
| Finish                                 | RAL 7042 gray, semi-gloss powder-coat paint standard<br>Other colors and textures available |                                |                                 |
| <b>UNIT DIMENSIONS</b>                 |   |                                |                                 |
| Height (in./mm)                        | 15.25/387.35  | 15.25/387.35                   | 15.25/387.35                    |
| Width (in./mm)                         | 17.00/431.80  | 17.00/431.80                   | 17.00/431.80                    |
| Depth (in./mm)                         | 25.19/639.76  | 25.19/639.76                   | 25.19/639.76                    |
| Weight (lb./kg)                        | 145.00/69.78  | 145.00/69.78                   | 170.00/77.00                    |

HB16 Models 8000 BTUs/Hr. (2051 Watts)



Visit [www.HoffmanOnline.com](http://www.HoffmanOnline.com) to download 2D and 3D CAD drawings into the overall design of your electronic system.