

QUIET VORTEX A/C ENCLOSURE COOLERS, TYPE 4/4X/12

 VA09, VA15, VA25
 NEMA Type 4/4X

 VA09, VA15, VA25
 NEMA Type 12

 VA50
 NEMA Type 4/4X

 VA50
 NEMA Type 12

INDUSTRY STANDARDS
NEMA Type 4,4X Models:

 Maintains UL/cUL Type 4, 4X when properly installed on a UL/cUL Type 4, 4X enclosure.
 UL508 Listed; Type 4, 4X; File No. E249700

IP66

NEMA Type 12 Models:

 Maintains UL/cUL Type 12 when properly installed on a UL/cUL Type 12 enclosure.
 UL508 Listed; Type 12; File No. E249700

IP54

APPLICATION

Vortex A/C Enclosure Coolers keep enclosures cool, clean and protected even in the harshest environments. Offering flexible installation, these enclosure coolers are ideal in space-restrictive areas where compressed air is readily available. With almost no moving parts, these enclosure coolers are highly reliable and virtually maintenance free.

FEATURES

- Mechanical thermostat reduces energy consumption
- Top, side, and front mount allows for versatile installation in confined areas
- Quieter operation with noise level of 60-75 dB
- Cooling capacities up to 5000 BTU/Hr. (1465 W)
- Supplied with five-micron, automatic drain compressed air filter, cold ducting kit, and cold air muffler
- Operates in environments up to 175 F (80 C)

FINISH

- NEMA Type 4,4X models: Polycarbonate and stainless steel exterior; aluminum and brass internal components
- NEMA Type 12 models: Polycarbonate and aluminum exterior; aluminum and brass internal components

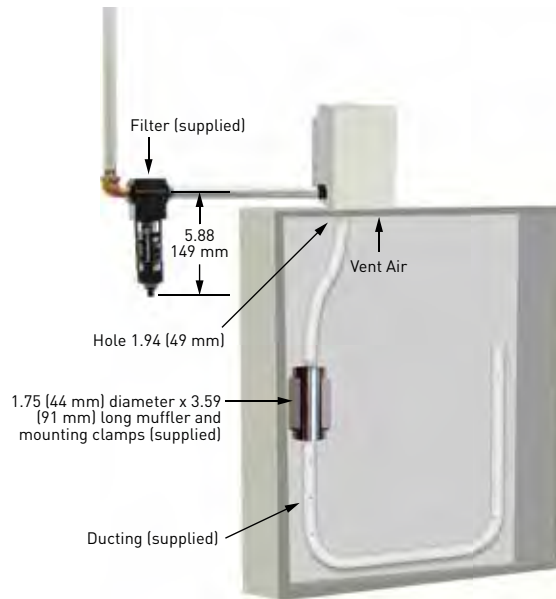
ACCESSORIES

- Oil Removal Filter
- Generator Kit
- Five-micron Air Filter
- Cold Air Ducting Kit
- Cold Air Muffler

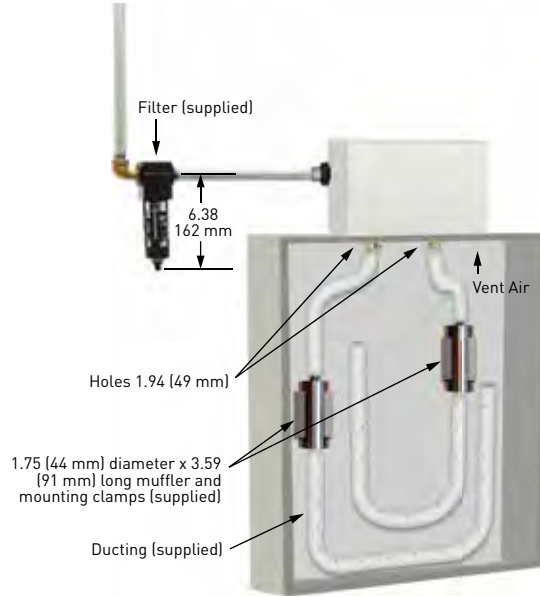
Performance Data VA Series NEMA Type 4, 4X

| CATALOG NUMBERS | | | | |
|-----------------------------------|------------|-----------|-----------|-----------|
| | VA091604X | VA151604X | VA251604X | VA501604X |
| COOLING PERFORMANCE | | | | |
| Cooling Capacity (BTU/Hr.) | 900 | 1500 | 2500 | 5000 |
| Cooling Capacity (Watts) | 264 | 440 | 733 | 1465 |
| Compressed Air Consumption (SCFM) | 15 | 25 | 35 | 70 |
| Compressed Air Consumption (SLPM) | 425 | 708 | 991 | 1982 |
| SOUND LEVEL | | | | |
| Noise Level (dB) | 60 | 66 | 72 | 75 |
| ENCLOSURE PROTECTION | | | | |
| UL Type | Type 4, 4X | | | |
| IP | IP66 | | | |
| UNIT DIMENSIONS | | | | |
| Height (in./mm) | 8.00/203 | 8.00/203 | 8.00/203 | 6.44/164 |
| Width (in./mm) | 4.75/121 | 4.75/121 | 4.75/121 | 9.44/240 |
| Depth (in./mm) | 5.38/137 | 5.38/137 | 5.38/137 | 5.56/141 |
| Weight (lb./kg) | 6.3/2.86 | 6.3/2.86 | 6.4/2.90 | 11.0/4.99 |

VA09, VA15, VA25, Type 4/4X



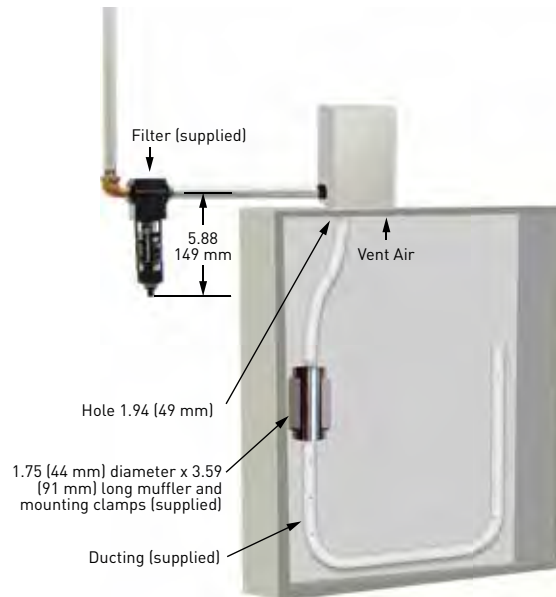
VA50, Type 4/4X



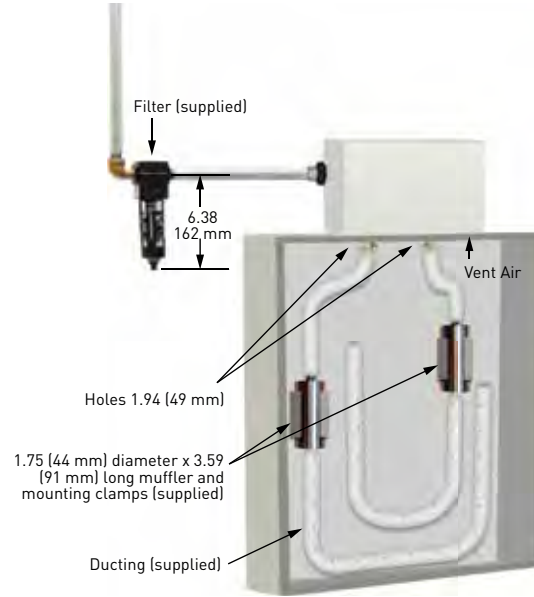
Performance Data **VA Series NEMA Type 12**

| CATALOG NUMBERS | | | | |
|-----------------------------------|-----------|-----------|-----------|-----------|
| | VA0916012 | VA1516012 | VA2516012 | VA5016012 |
| COOLING PERFORMANCE | | | | |
| Cooling Capacity (BTU/Hr.) | 900 | 1500 | 2500 | 5000 |
| Cooling Capacity (Watts) | 264 | 440 | 733 | 1465 |
| Compressed Air Consumption (SCFM) | 15 | 25 | 35 | 70 |
| Compressed Air Consumption (SLPM) | 425 | 708 | 991 | 1982 |
| SOUND LEVEL | | | | |
| Noise Level (dB) | 60 | 66 | 72 | 75 |
| ENCLOSURE PROTECTION | | | | |
| UL Type | Type 12 | | | |
| IP | IP54 | | | |
| UNIT DIMENSIONS | | | | |
| Height (in./mm) | 8.00/203 | 8.00/203 | 8.00/203 | 6.44/164 |
| Width (in./mm) | 4.75/121 | 4.75/121 | 4.75/121 | 9.44/240 |
| Depth (in./mm) | 3.56/90 | 3.56/90 | 3.56/90 | 4.25/108 |
| Weight (lb./kg) | 4.9/2.22 | 4.9/2.22 | 5.0/2.27 | 7.7/3.50 |

VA09, VA15, VA25, Type 12



VA50, Type 12



Vortex AC Accessories **Type 4/4X/12**

| CATALOG NUMBERS | Description | Use with VA Model Capacity |
|------------------------|---|-----------------------------------|
| Air Filters | | |
| VAAF15 | 5 micron, automatic drain compressed air filter | Up to 1500 BTU/Hr. |
| VAAF25 | 5 micron, automatic drain compressed air filter | Up to 2500 BTU/Hr. |
| VAAF50 | 5 micron, automatic drain compressed air filter | Up to 5000 BTU/Hr. |
| Oil Filters | | |
| VCOF17 | Oil Filter | Up to 1500 BTU/Hr. |
| VCOF25 | Oil Filter | Up to 5000 BTU/Hr. |
| Generators | | |
| VAGK09 | Generator Kit | 900 BTU/Hr. models |
| VAGK15 | Generator Kit | 1500 BTU/Hr. models |
| VAGK25 | Generator Kit | 2500 and 5000 BTU/Hr. models |
| Air Ducting | | |
| VADK124X | Cold Air Ducting Kit | All NEMA 12, 4/4X models |