

## AXIS T90B Illuminators

Optimized illumination for Axis cameras



- > Highly flexible, interchangeable lenses
- > IR and White LED models
- > Fine tuning from ground level with remote control
- > Evenly illuminated scene

The IR-LED illuminators are suitable for all Axis cameras with infra-red cut filter, while the White LED are suitable for all Axis cameras when extra white light is needed. Together with Axis cameras, AXIS T90B provides high quality images and excellent system durability.

AXIS T90B Illuminators can optimize the amount of light required in the scene by simply placing and pointing the illuminator wherever it is needed. The default beam angle is 10 degrees and three diverging lenses are included (35°, 60° and 80°). A 120° diverging lens is also available as optional accessory. The interchangeable lenses provide high flexibility for the scene requirements. Thanks to the holographic technology of the diverging lenses, the amount of light is evenly distributed throughout the whole beam, without any hot spots.

The on/off status can be controlled either by the built-in photocell, via the I/O port of the camera or a PIR sensor.

To simplify the fine tuning of the photocell sensitivity and the illumination intensity, a remote control device can be used from ground level. To avoid tampering, the remote control feature can be disabled when installation is finalized.

AXIS T90B Illuminators comprises 6 models. Three infra-red LED illuminators, AXIS T90B20 IR-LED, AXIS T90B30 IR-LED and AXIS T90B40 IR-LED; and three white LED illuminators, AXIS T90B15 W-LED, AXIS T90B25 W-LED and AXIS T90B35 W-LED.

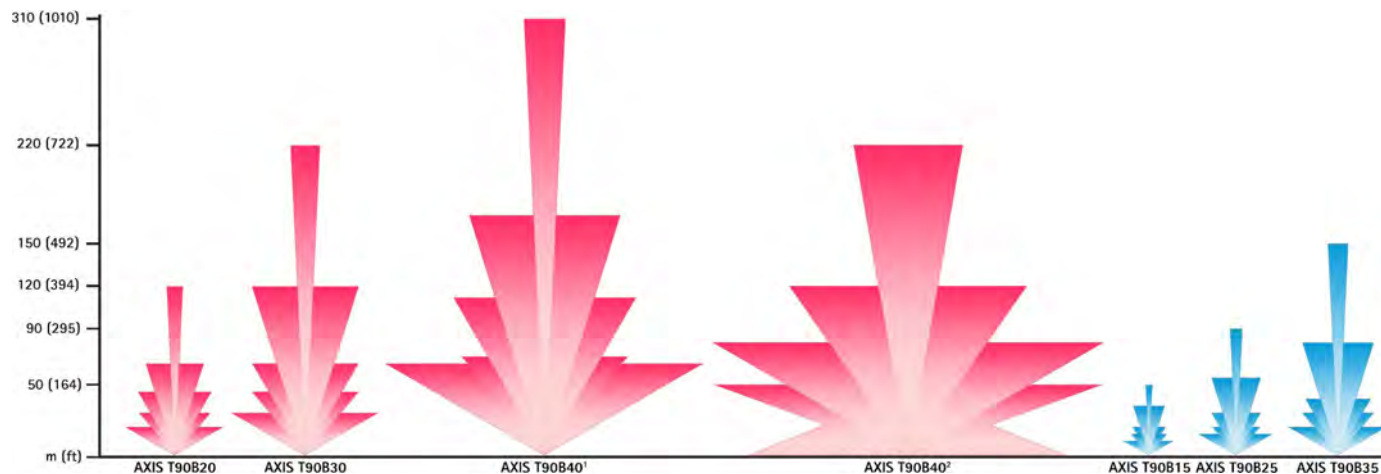
## Distance

Guaranteed minimum specification for light on scene of 0.35  $\mu\text{W}/\text{cm}^2$ . Distances depend on environmental conditions and camera's light sensitivity.

Model	Angle	Distance
AXIS T90B20 IR-LED	10° x 10°	120 m (394 ft) <sup>a</sup>
	35° x 10°	65 m (213 ft)
	60° x 25°	45 m (148 ft)
	80° x 30°	30 m (98 ft)
	120° x 50°	20 m (66 ft) <sup>b</sup>
AXIS T90B30 IR-LED	10° x 10°	220 m (722 ft) <sup>a</sup>
	35° x 10°	120 m (394 ft)
	60° x 25°	65 m (213 ft)
	80° x 30°	45 m (148 ft)
	120° x 50°	30 m (98 ft) <sup>b</sup>
AXIS T90B40 IR-LED	10° x 10° (narrow angle) / 20° x 10° (wide angle)	310 m (1010 ft) / 220 m (722 ft) <sup>a</sup>
	35° x 10° (narrow angle) / 70° x 10° (wide angle)	170 m (551 ft) / 120 m (394 ft)
	60° x 25° (narrow angle) / 120° x 25° (wide angle)	112 m (367 ft) / 80 m (262 ft)
	80° x 30° (narrow angle) / 140° x 30° (wide angle)	70 m (230 ft) / 50 m (164 ft)
	120° x 50° (narrow angle) / 180° x 50° (wide angle)	65 m (213 ft) / 45 m (148 ft) <sup>b</sup>
AXIS T90B15 W-LED	10° x 10°	50 m (164 ft) <sup>a</sup>
	35° x 10°	35 m (115 ft)
	60° x 25°	20 m (66 ft)
	80° x 30°	15 m (49 ft)
	120° x 50°	10 m (33 ft) <sup>b</sup>
AXIS T90B25 W-LED	10° x 10°	90 m (295 ft) <sup>a</sup>
	35° x 10°	55 m (180 ft)
	60° x 25°	30 m (98 ft)
	80° x 30°	20 m (66 ft)
	120° x 50°	15 m (49 ft) <sup>b</sup>
AXIS T90B35 W-LED	10° x 10°	150 m (492 ft) <sup>a</sup>
	35° x 10°	80 m (262 ft)
	60° x 25°	45 m (148 ft)
	80° x 30°	30 m (98 ft)
	120° x 50°	20 m (66 ft) <sup>b</sup>

a) No diverging lens b) Optional accessory

## Distance comparison



1) Narrow angle 2) Wide angle

# Technical Specifications - AXIS T90B Illuminators

<b>Models</b>	AXIS T90B20 IR-LED AXIS T90B30 IR-LED AXIS T90B40 IR-LED AXIS T90B15 W-LED AXIS T90B25 W-LED AXIS T90B35 W-LED	<b>Environment</b>	Outdoor
<b>Supported cameras</b>	IR-LED models: All Axis cameras with infrared-cut filter W-LED models: All Axis network cameras	<b>Mounting</b>	Wall, Ceiling, Column, Camera housing
<b>Power</b>	Input Voltage: 12-24 V AC/DC AC Frequency: 50-60 Hz Cable length: 2.5 m (8 ft) See table below for power consumption	<b>Approvals</b>	EN 55022 Class B, EN 55024, EN 61547, EN 55015, EN 50130-4, C-tick AS/NZS CISPR 22 Class B, KCC KN22 Class B, KN24, EN 60598-1, IEC/EN 62471 Risk group 2 <sup>b</sup> , IEC/EN 60529 IP66, IEC/EN 62262 IK09, EN 50130-5, RoHS, REACH, WEEE, CE
<b>Control technology</b>	Power level, Photocell sensitivity, Telemetry link for remote activation (if required), Timer	<b>Operating conditions</b>	-50 °C to 50 °C (-58 °F to 122 °F) Humidity: 10-100% RH (Condensing)
<b>Type</b>	IR-LED models: 850 nm semi-covert W-LED models: 5700 K W-LED models, luminous power: AXIS T90B15 W-LED: 733 lm AXIS T90B25 W-LED: 1452 lm AXIS T90B35 W-LED: 2840 lm	<b>Storage conditions</b>	-50 °C to 70 °C (-58 °F to 158 °F)
<b>Angle</b>	10° without diverging lens With diverging lenses: 35°, 60°, 80°, 120° <sup>a</sup>	<b>Weight</b>	AXIS T90B20 IR-LED: 950 g (2.1 lb) AXIS T90B30 IR-LED: 1650 g (3.6 lb) AXIS T90B40 IR-LED: 4500 g (9.9 lb) AXIS T90B15 W-LED: 600 g (1.3 lb) AXIS T90B25 W-LED: 950 g (2.1 lb) AXIS T90B35 W-LED: 1650 g (3.6 lb)
<b>Casing</b>	Aluminum and polycarbonate IR-LED models: Black W-LED models: White and silver	<b>Included accessories</b>	Three diverging lenses for different beam angle: 35° (pre-mounted), 60° and 80°
<b>Display and indicators</b>	Indicator LEDs	<b>Warranty</b>	Axis 3- year warranty with additionally 2-year warranty free of charge. See more information at <a href="http://www.axis.com/warranty">www.axis.com/warranty</a>

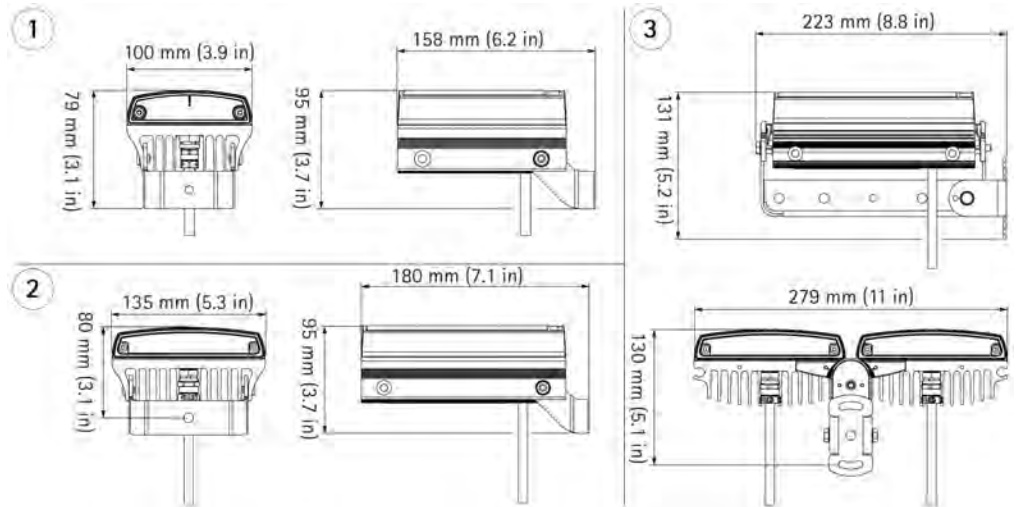
a. *Optional accessory*  
b. *Valid only for IR-LED versions*

More information is available at [www.axis.com](http://www.axis.com)

	Maximum light	20% of maximum light	Standby mode
AXIS T90B20 IR-LED	24 W	6 W	0.15 W
AXIS T90B30 IR-LED	48 W	12 W	0.15 W
AXIS T90B40 IR-LED	96 W	24 W	0.15 W
AXIS T90B15 W-LED	12 W	3 W	0.15 W
AXIS T90B25 W-LED	24 W	6 W	0.15 W
AXIS T90B35 W-LED	48 W	12 W	0.15 W

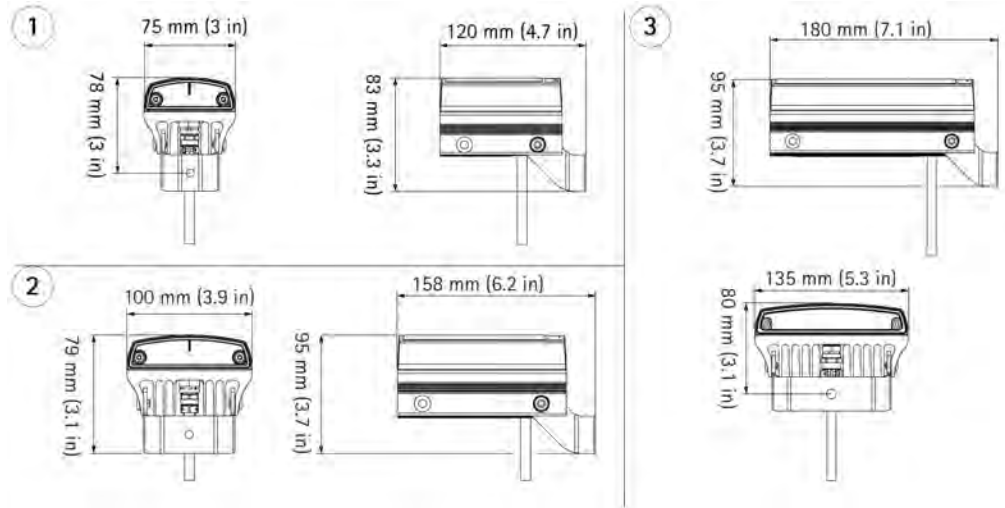
## Dimensions IR-LED

1. AXIS T90B20
2. AXIS T90B30
3. AXIS T90B40



## Dimensions W-LED

1. AXIS T90B15
2. AXIS T90B25
3. AXIS T90B35



## Optional accessories

1. Diverging lens with additional angle 120°
2. Power supply AXIS PS24
3. AXIS T90B Remote Control
4. AXIS T90A66 Bracket Pole Clamp
5. AXIS T90A63 Bracket Wall L Mount
6. AXIS T90A61 Bracket Single
7. AXIS T90A62 Bracket Twin

