

# Weatherproof Telephone Enclosure

Model 255-003 Series



## Features

- **Non-metallic, Corrosion-proof Enclosure (gray, red, yellow, or orange)**
- **Latching Door**
- **NEMA 4X Weather Rating with Door Closed and Latched**
- **Wall-mount RJ11 Jack (Designed for connection of Standard 2500 series Telephone)**
- **Spring Door Closure Option**
- **Keylock Door Option**
- **Blank Panel Kit (for utility usage)**
- **cUL/UL Listed (Type 4X)**



GAI-Tronics' NEMA 4X Weatherproof Telephone Enclosure provides the protection necessary to make an inexpensive 2500 series wall telephone last many years in a less than perfect environment. Ideal uses include poolside, dockside, baseball dugouts (bullpen communications), shipboard, garden centers, and anywhere a weatherproof telephone is needed.

Previously offered in only the color gray, this enclosure is now also available in red, orange and yellow. Options include spring door closure, keylock door, or hasp-lock hardware. A blank panel kit is also available to permit installation of peripheral devices other than telephones.

If your telephone application requires something even more rugged, consider our Model 354-001 series NEMA 4X Telephone. Visit our website at [www.gai-tronics.com](http://www.gai-tronics.com) for additional information.

# Weatherproof Telephone Enclosure

Model 255-003 Series



## Specifications

Dimensions, outside ..... 10.9 W x 14.6 H x 10.5 D inches  
(276.86 x 370.84 x 266.7 mm)  
Dimensions, inside ..... 7.75 W x 11.5 H x 8.0 D inches  
(196.85 x 292.1 x 203.2 mm)  
Material ..... Non-metallic, engineered plastic  
Weather Rating ..... NEMA 4X (cUL/UL Type 4X Listed)  
Mounting ..... Four (4) 0.43 inch (10.92 mm)  
diameter mounting holes  
Conduit Entry ..... Customer's discretion  
(Myers-style hub recommended)  
Weight ..... 6.5 lbs. (2.94 kg.)  
Telephone Connection ..... RJ11

## Installation

- Myers ST or STG series hubs are recommended for conduit entrance (customer provided)
- Bottom entry is recommended
- Mounting feet included 0.44" clearance holes for customer-provided mounting hardware

## Ordering Information

Model No.	Description
255-003	Weatherproof Telephone Enclosure, Gray
255-003OR	Weatherproof Telephone Enclosure, Orange
255-003YL	Weatherproof Telephone Enclosure, Yellow
255-003RD	Weatherproof Telephone Enclosure, Red

## Available Options

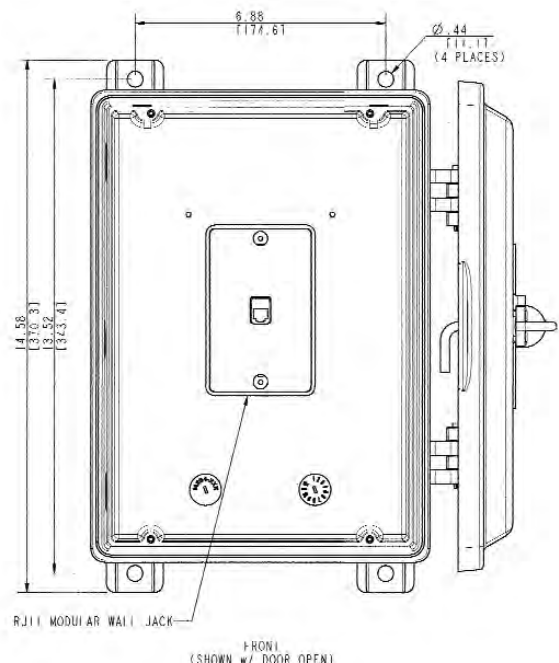
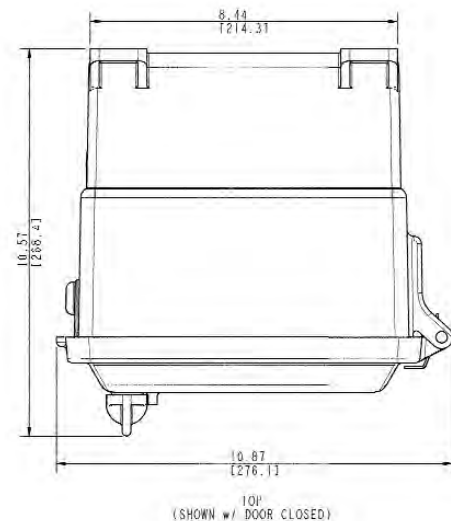
Option Code	Description
SK	Spring Door Closure Option
LD	Keylock Door Option

Ordering an enclosure with an option is easy. Simply insert the option letter code after the enclosure model number as a suffix. If multiple options are desired, insert the codes in alphabetical order after the model number.

**Example:** The part number for an orange enclosure with both a spring door and keylock door option is: **255-003ORLDSK**

## Available Accessories

12576-133	Blank panel kit (includes aluminum panel, security screws, washers and Torx T-25 security tip). Clearance in front of and behind panel (after installation) is 3-inches.
-----------	--



**Note: Dimensions in Brackets are in Millimeters.**



USA Toll Free: 1 (800) 492-1212 Tel: (610) 777-1374 Fax: (610) 796-5954 www.gai-tronics.com  
UK Tel: +44 (0)1283 500500 Fax: +44 (0)1283 500400 www.gai-tronics.co.uk  
Italy Tel: +39 02 48601460 Fax: +39 02 93663110 www.gai-tronics.it  
Malaysia Tel: +60-3-8945-4035 / 8945-7348 Fax: +60-3-8945-4675 www.gai-tronics.com  
Australia Tel: 011-61-28-851-5000 Fax: 011-61-29-899-2490 www.austdac.com.au

