

SECTION 3

RUBBER INSULATED CORDS & CABLES

**European Approved
OZOFLEX™ Cables**

**H07RN-F
A07RN-F**

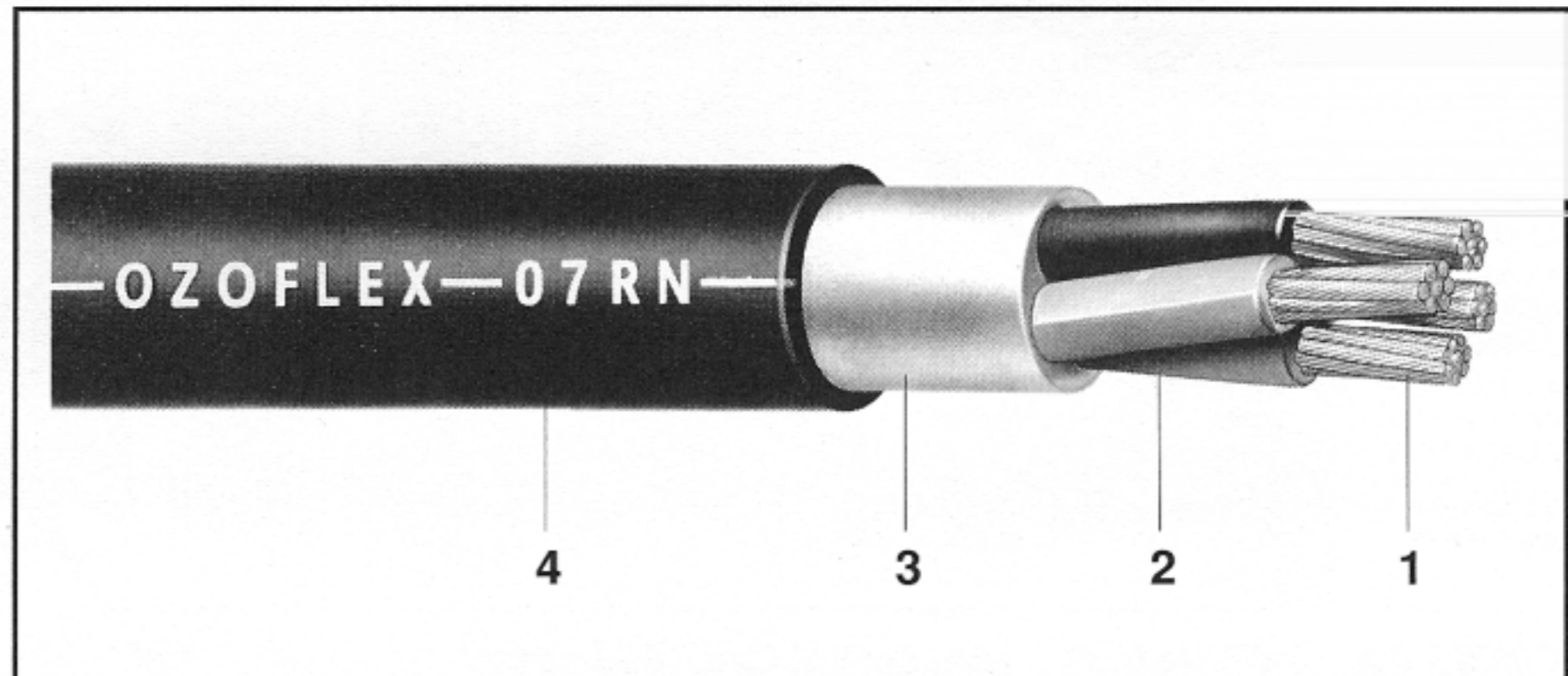
**60°C
450 / 750V**

**H07RN-F
A07RN-F**

1. Finely stranded copper conductor
2. EPR insulation
3. Rubber inner jacket
4. Black Neoprene/Hypalon outer jacket

H07RN-F EXTRA FLEXIBLE

1. Very finely stranded copper conductor
2. EPR insulation
3. Rubber inner jacket
4. Black Neoprene/Hypalon jacket



Applications

OZOFLEX™ is designed for use in dry, damp and wet locations, indoors and outdoors on equipment such as portable power tools, circular saws, drills, hotplates, hand lamps, portable motors, etc.

- For North American manufactured electrical equipment destined for export to Europe.
- Replacement cable for European equipment operating in North America.

Design

- Conforms to European HAR Harmonized Standards
- Variety of insulation colors available including European Green/Yellow Ground
- Similar to S, SO type cords

**H07RN-F
A07RN-F**

- Finely stranded copper conductors.
- Tinned copper conductors up to 6mm²
- Ozone and weather-resistant EPR insulation
- Textile fillers in the interstices and talcum lubrications enhances the free-riding characteristics of the conductor assembly
- Extruded rubber inner jacket above 10mm²
- Oil and flame resistant Neoprene / Hypalon outer jacket

Technical Data

- Maximum permissible conductor temperature: 60°C
- Rated voltage: 450 / 750V
- Maximum permissible operating voltage in three phase and single phase A.C. systems: 495 / 825V
- Maximum permissible operating voltage in D.C. systems: 743 / 1238V
- A.C. factory test voltage: 2500 volts (r.m.s.)
- Applicable Standards:
 - CENELEC Harmonization Document HD22
 - DIN VDE 0282 Part 810
 - Conductors: 2245 IEC 65 AND 66

OZOFLEX™ H07RN-F ..X.. without Gr/Yel Grd. 450 / 750V

Part Number	Siemens catalog number	American description cond. size/ # cond.	Metric description # cond. x mm sq. cross section	Approx. Number of Strands per Conductor	Nominal Overall Diameter		Cable Weight		C - Coil R - Reel Standard put ups (ft/m)	Insulation Colors
					Inch	mm	lbs/ 1000ft	kg/km		
					4A-0801EC-1	5DH2 110-5	# 8/1C	1x10		
4A-0801EC-1	5DH2 112-5	# 6/1C	1x16	126	0.478	12.2	202	300	R3280/1000	Blk
4A-0401EC	5DH2 113-5	# 4/1C	1x25	196	0.544	13.8	282	420	R3280/1000	Blk
4A-0201EC-1	5DH2 114-5	# 2/1C	1x35	276	0.610	15.5	370	550	R3280/1000	Blk
4A-1011EC-1	5DH2 115-5	# 1/0/1C	1x50	396	0.708	18.0	511	760	R3280/1000	Blk
4A-2021EC-1	5DH2 116-5	# 2/0/1C	1x70	360	0.793	20.2	665	990	R3280/1000	Blk
4A-3031EC-1	5DH2 117-5	# 3/0/1C	1x95	475	0.892	22.7	860	1280	R1640/500	Blk
4A-2501EC-1	5DH2 118-5	250 MCM/1C	1x120	608	0.990	25.2	1068	1590	R1640/500	Blk
4A-3001EC-1	5DH2 120-5	300 MCM/1C	1x150	756	1.095	27.8	1310	1950	R1640/500	Blk
4A-3501EC-1	5DH2 121-5	350 MCM/1C	1x185	925	1.095	27.8	1545	2300	R1640/500	Blk
4A-5001EC-1	5DH2 122-5	500 MCM/1C	1x240	1221	1.299	33.0	2083	3100	R1640/500	Blk
4A-6001EC-1	5DH2 123-5	600 MCM/1C	1x300	1525	1.423	36.2	2553	3800	R1640/500	Blk
4A-1602EC	5DH2 204-5	#16/2C	2x1.5	30	0.387	9.8	87	130	C328/100	Br, Bl
4A-1402EC	5DH2 205-5	#14/2C	2x2.5	50	0.452	11.5	128	190	R3280/1000	Br, Bl
4A-1202EC	5DH2 206-5	#12/2C	2x4	56	0.511	13.0	181	270	R3280/1000	Br, Bl

OZOFLEX™ H07RN-F..G.. with Gr/Yel Grd. 450 / 750V

4A-1803EC	5DH2 303-5	# 18/3C	3G1	32	0.376	9.6	81	120	C328/100	Br, Bl, Gr/Yel
4A-1603EC	5DH2 304-5	# 16/3C	3G1.5	30	0.415	10.6	108	160	R3280/1000	Br, Bl, Gr/Yel
4A-1403EC	5DH2 305-5	# 14/3C	3G2.5	50	0.492	12.5	155	230	R3280/1000	Br, Bl, Gr/Yel
4A-1203EC	5DH2 306-5	# 12/3C	3G4	56	0.551	14.0	215	320	R3280/1000	Br, Bl, Gr/Yel
4A-1003EC	5DH2 307-5	# 10/3C	3G6	84	0.642	16.3	282	420	R3280/1000	Br, Bl, Gr/Yel
4A-0803EC	5DH2 310-5	# 8/3C	3G10	80	0.859	21.8	538	800	R1640/500	Br, Bl, Gr/Yel
4A-0603EC	5DH2 312-5	# 6/3C	3G16	126	0.977	24.8	759	1130	R1640/500	Br, Bl, Gr/Yel
4A-1604EC	5DH2 404-5	# 16/4C	4G1.5	30	0.452	11.5	134	200	C328/100	Br, Blk, Bl, Gr/Yel
4A-1404EC	5DH2 405-5	# 14/4C	4G2.5	50	0.531	13.5	188	280	R3280/1000	Br, Blk, Bl, Gr/Yel
4A-1204EC	5DH2 406-5	# 12/4C	4G4	56	0.616	15.7	262	390	R3280/1000	Br, Blk, Bl, Gr/Yel
4A-1004EC	5DH2 407-5	# 10/4C	4G6	84	0.721	18.3	356	530	R3280/1000	Br, Blk, Bl, Gr/Yel
4A-0804EC	5DH2 410-5	# 8/4C	4G10	80	0.931	23.7	645	960	R1640/500	Br, Blk, Bl, Gr/Yel
4A-0604EC	5DH2 412-5	# 6/4C	4G16	126	1.062	27.0	921	1370	R1640/500	Br, Blk, Bl, Gr/Yel
4A-0404EC	5DH2 413-5	# 4/4C	4G25	196	1.266	32.2	1310	1950	R1640/500	Br, Blk, Bl, Gr/Yel
4A-0204EC	5DH2 414-5	# 2/4C	4G35	276	1.417	36.0	1727	2570	R1640/500	Br, Blk, Bl, Gr/Yel
4A-1011EC	5DH2 415-5	# 1/0/4C	4G50	396	1.633	41.5	2345	3490	R1640/500	Br, Blk, Bl, Gr/Yel
4A-2021EC	5DH2 416-5	# 2/0/4C	4G70	360	1.843	46.8	3131	4660	R1640/500	Br, Blk, Bl, Gr/Yel
4A-3031EC	5DH2 417-5	# 3/0/4C	4G95	475	2.079	52.8	4106	6110	R1640/500	Br, Blk, Bl, Gr/Yel
4A-2501EC	5DH2 418-5	250 MCM/4C	4G120	608	2.250	57.2	5160	7680	R1640/500	Br, Blk, Bl, Gr/Yel
4A-1805EC	5DH2 503-5	# 18/5C	5G1	32	0.452	11.5	121	180	C328/100	Br, Blk, Blk, Bl, Gr/Yel
4A-1605EC	5DH2 504-5	# 16/5C	5G1.5	30	0.498	12.7	161	240	C328/100	Br, Blk, Blk, Bl, Gr/Yel
4A-1405EC	5DH2 505-5	# 14/5C	5G2.5	50	0.577	14.7	222	330	R1640/500	Br, Blk, Blk, Bl, Gr/Yel
4A-1205EC	5DH2 506-5	# 12/5C	5G4	56	0.675	17.2	323	480	R1640/500	Br, Blk, Blk, Bl, Gr/Yel
4A-1005EC	5DH2 507-5	# 10/5C	5G6	84	0.793	20.2	437	650	R1640/500	Br, Blk, Blk, Bl, Gr/Yel
4A-0805EC	5DH2 510-5	# 8/5C	5G10	80	1.030	26.2	779	1160	R1640/500	Br, Blk, Blk, Bl, Gr/Yel
4A-0605EC	5DH2 512-5	# 6/5C	5G16	126	1.174	29.8	1129	1680	R1640/500	Br, Blk, Blk, Bl, Gr/Yel
4A-0405EC	5DH2 513-5	# 4/5C	5G25	196	1.397	35.5	1613	2400	R1640/500	Br, Blk, Blk, Bl, Gr/Yel

OZOFLEX™ H07RN-F ..G.. Extra Flexible Cords with Gr/Yel Grd. 450 / 750V

4A-1803ECF	5DH2 691-5	# 18/3C	3G1	57	0.376	9.6	77	115	C328/100	Gr/Yel, Br, Bl
4A-1603ECF	5DH2 692-5	# 16/3C	3G1.5	48	0.415	10.6	94	140	C328/100	Gr/Yel, Blk, Bl, Br
4A-1804ECF	5DH2 693-5	# 18/4C	4G1	57	0.415	10.6	94	140	C328/100	Gr/Yel, Blk, Bl, Br
4A-1604ECF	5DH2 694-5	# 16/4C	4G1.5	48	0.452	11.5	121	180	C328/100	Gr/Yel, Blk, Bl, Br
4A-1805ECF	5DH2 695-5	# 18/5C	5G1	57	0.452	11.5	121	180	C328/100	Gr/Yel, Blk, Bl, Br
4A-1605ECF	5DH2 696-5	# 16/5C	5G1.5	48	0.498	12.7	148	220	C328/100	Gr/Yel, Blk, Bl, Br

OZOFLEX™ A07RN-F..X.. without Gr/Yel Grd. 450 / 750V

Part Number	Siemens catalog number	American description cond. size/ # cond.	Metric description # cond. x mm sq. cross section	Approx. Number of Strands per Conductor	Nominal Overall Diameter		Cable Weight		C - Coil R - Reel Standard put ups (ft/m)	Insulation Colors
					Inch	mm	lbs/1000ft	kg/km		
					4A-1603EC-A	5DH2 855-4	# 16/3C	3X1.5		
4A-1403EC-A	5DH2 856-4	# 14/3C	3X2.5	50	0.492	12.5	155	230	R3280/1000	Blk, Br, Bl
4A-1203EC-A	5DH2 857-4	# 12/3C	3X4	56	0.551	14.0	215	320	R3280/1000	Blk, Br, Bl
4A-1003EC-A	5DH2 858-4	# 10/3C	3X6	84	0.642	16.3	282	420	R3280/1000	Blk, Br, Bl
4A-0803EC-A	5DH2 860-4	# 8/3C	3X10	80	0.859	21.8	538	800	R1640/500	Blk, Br, Bl
4A-0603EC-A	5DH2 831-4	# 6/3C	3X16	126	0.977	24.8	760	1130	R1640/500	Blk, Br, Bl
4A-0403EC-A	5DH2 832-4	# 4/3C	3X25	196	1.142	29.0	773	1150	R3280/1000	Blk, Br, Bl
4A-0203EC-A	5DH2 805-4	# 2/3C	3X35	276	1.272	32.3	1378	2050	R3280/1000	Blk, Br, Bl
4A-1013EC-A	5DH2 806-4	# 1/0/3C	3X50	396	1.480	37.6	1869	2780	R3280/1000	Blk, Br, Bl
4A-2023EC-A	5DH2 861-4	# 2/0/3C	3X70	360	1.673	42.5	2480	3690	R3280/1000	Blk, Br, Bl
4A-3033EC-A	5DH2 773-4	# 3/0/3C	3X95	475	1.862	47.3	3206	4770	R1640/500	Blk, Br, Bl
4A-0804EC-A	5DH2 825-4	# 8/4C	4X10	80	0.931	23.7	645	960	R1640/500	Blk, Blk, Bl, Br
4A-0604EC-A	5DH2 826-4	# 6/4C	4X16	126	1.062	27.0	921	1370	R1640/500	Blk, Blk, Bl, Br
4A-0404EC-A	5DH2 837-4	# 4/4C	4X25	196	1.266	32.2	1311	1950	R3280/1000	Blk, Blk, Bl, Br
4A-0204EC-A	5DH2 838-4	# 2/4C	4X35	276	1.417	36.0	1727	2570	R3280/1000	Blk, Blk, Bl, Br

OZOFLEX™ A07RN-F..G.. with Gr/Yel Grd. 450 / 750V

4A-1607EC-A	5DH2 583-4	# 16/7C	7G1.5	30	0.598	15.2	255	380	R3280/1000	Blk, Gr/Yel
4A-1407EC-A	5DH2 590-4	# 14/7C	7G2.5	50	0.697	17.7	350	520	R3280/1000	Blk, Gr/Yel
4A-1408EC-A	5DH2 591-4	# 14/8C	8G2.5	50	0.756	19.2	397	590	R3280/1000	Blk, Gr/Yel
4A-1412EC-A	5DH2 593-4	# 14/12C	12G2.5	50	0.831	21.1	538	800	R3280/1000	Blk, Gr/Yel
4A-1418EC-A	5DH2 595-4	# 14/18C	18G2.5	50	1.067	27.1	786	1160	R3280/1000	Blk, Gr/Yel
4A-1424EC-A	5DH2 596-4	# 14/24C	24G2.5	50	1.205	30.6	988	1470	R3280/1000	Blk, Gr/Yel