

specifications

The Gateway EPAX18 Expansion Unit connects directly to a SmartZone™ Gateway EPA126 to expand its monitoring capabilities from 6 to a total of 24 power devices. When combined with a SmartZone™ Gateway EPA126, the gateway expansion unit allows up to 12 dual-fed cabinets to be fully monitored from a single IP address.



technical information

Dimensions:	19 in. x 4 in. x 1.3 in. (483mm x 103mm x 32mm))
Weight:	3.57 lbs. (1.62Kg); 6.17 lbs. (2.8Kg) packaged
Packaging:	2.6 lbs (1.18Kg)
Mounting:	19" rack mountable, housed in a 1RU metal case

key features and benefits

Centralized device management	Supports up to 18 additional connected power distribution units or power monitoring devices to a connected SmartZone™ Gateway EPA126 for consolidated monitoring and management of operational data, simplifying and troubleshooting
Single IP address	Utilizes existing single IP address of connected SmartZone™ Gateway EPA126 to deploy without any new IP capital costs, or management overhead
Primary/secondary network topology	Houses the intelligence and power supply for connected devices within the gateway itself to simplify the network architecture and lower overall power consumption
Scalable design	Allows expansion unit to be attached to a SmartZone™ Gateway EPA126 to provide additional power device inputs thru the gateway's existing single IP address, enabling cost-effective monitoring scalability and growth
SNMP enabled	Uses open SNMP protocol to provide alerts (traps) on potential service impacting power and environmental conditions to mitigate operational downtime
HTTP/HTTPS web interface	When combined with the Gateway EPA126, the Gateway EPAX18 provides authentication safeguards to securely allow users to configure, monitor, and control the Gateway EPAX18 through remote management
SmartZone™ Software platform integration	Consolidates power and environmental data to be utilized by SmartZone™ Software platforms for real-time monitoring and display, management, and automated documentation

applications

When combined with the Gateway EPA126, the Gateway EPAX18 provides an innovative, SNMP-based gateway that simplifies the management of power devices with one IP address, significantly reducing the number of IP addresses needed in the data center. This management information can then be displayed via an internal web interface or utilized by SmartZone™ Software platforms for real-time monitoring, management, and automated reporting of operational metrics. SmartZone™ Gateways are scalable solutions, ideally suited to brownfield or greenfield data centers and telco areas.

The SmartZone™ Gateway EPAX18 attaches to the SmartZone™ Gateway EPA126 to provide additional power inputs without the need for consuming further network ports. The Gateway EPAX18 supports up to 18 power distribution units or power monitoring devices, which extends the number of devices that can be connected from 6 to 24.

SmartZone™ Gateway EPAX18 Expansion Unit

Gateway EPAX18 Expansion Unit Test Data

Power Supply	
Input Power	100~240 VAC
Input Connector	2 x independent input mains power supplies for power redundancy – will work from single feed
Power Consumption	(Max.) 40W
Additional Information	Isolated Supply
Internal PSU	Dual
Operating Environment	
Operating Temperature	32°F to 113°F (0°C to 45°C)
Storage Temperature	14°F to 158°F (-10°C to 70°C)
Operating Humidity	15% to 85% RH
Storage Humidity	5% to 90% RH
MTBF	>100,000 Hrs.
Connectivity and Networking	
Ports	18 ports supporting power distribution units and power monitoring devices
Link Port (to Gateway EPA126)	RS485
PDU Monitoring and Control	
Number of Inputs	18 inputs for connected power monitoring devices
PDU In/Out Connector	RJ45
Parameters Monitored	Volts, amps, total kVA, total kWh, total power factor and frequency
Voltage Monitoring Range	0V to 500 VAC
Voltage Monitoring Accuracy	Dependent on PDU device
Current Monitoring Range	0A to 65A
kWh Monitoring Accuracy	Dependent on PDU
Monitoring and Configuration	
The following monitoring and configuration methods are provided	Web management interface via HTTP or HTTPS (Secure); configurable SNMP and email alarm messages
Compliance	UL 60950-1 2 nd edition, CAN/CSA-C22.2 No. 60950-1-07 Incl. Amd 1, CAN/CSA-CISPR 22-10, FCC Part 15B. Emissions
Configuration	No Address or configuration information is required
Front Panel Indicators	
Green LED Network	Ethernet connection present (flashing indicates traffic present)
Yellow LED Network Speed	Off indicates 10Mbps network; On indicates 100Mbps network link
Green LED CPU Status	Flash indicates correct operation of the Gateway EPAX18
Red LED Alarm Status	One or more sensor input has exceeded a pre-set threshold
Blue LED	Internal low voltage power supply is within range
Yellow LED AC Feed A	Presence of AC Power on Input Feed A
Yellow LED AC Feed B	Presence of AC Power on Input Feed B

SmartZone™ Gateway EPAX18 Expansion Unit

Gateway EPAX18 Expansion Unit Test Data (continued)

Rear Panel Indicators	
Green LED CPU Status	Flashing indicates PDU Expansion Units CPU alive
Blue LED Power ON	Internal low voltage power supply is within range
Red LED Alarm Status	One or more sensor input has exceeded a pre-set threshold

Gateway EPA126 and EPAX18 Expansion Unit Features

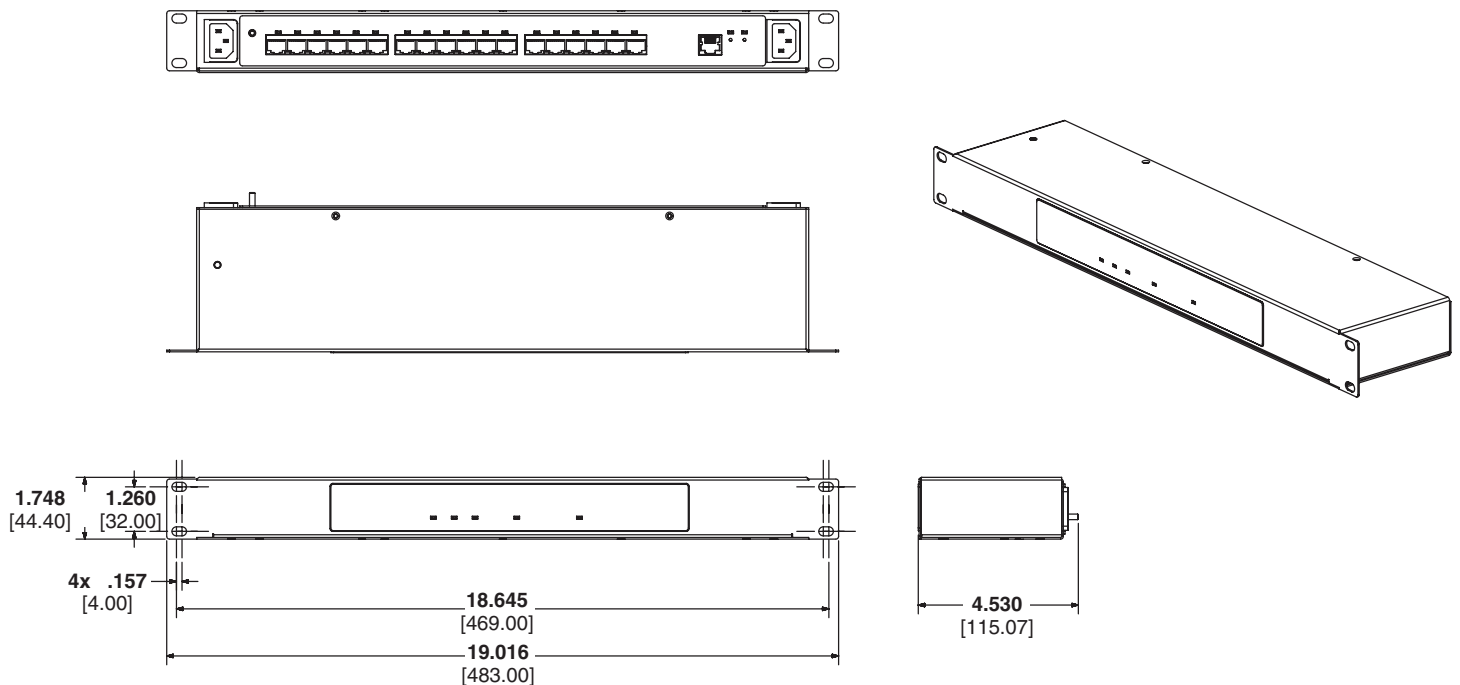
	No. Single Phase PDUs/Clamp Meters	3-Phase PDUs (Monitored)	Single Phase Monitored per Outlet	Single Phase Switched per Outlet	3-Phase Monitored per Outlet	3-Phase Switched per Outlet
Gateway EPA126	6	6	6	6	6	6
EPAX18 Expansion Unit	18	18	18	18	N/A	N/A

part numbers

Gateway EPAX18	
ZAEIPEXP-01	SmartZone™ Gateway EPAX18 – UK-IEC power cable
ZAEIPEXP-01-99	SmartZone™ Gateway EPAX18 – no power cable
ZAEIPEXP-01-NA	SmartZone™ Gateway EPAX18 – IEC – NEMA 5-15 power cable
ZAEIPEXP-01-UNI	SmartZone™ Gateway EPAX18 – IEC power leads (2x IEC-IEC)
Gateway EPA126 (Associated Gateway)	
ZAEI-01	SmartZone™ Gateway EPA126 – UK-IEC power cable
ZAEI-01-99	SmartZone™ Gateway EPA126 – no power cable
ZAEI-01-NA	SmartZone™ Gateway EPA126 – NEMA 5-15 power cable
ZAEI-01-UNI	SmartZone™ Gateway EPA126 – IEC-IEC power cable

SmartZone™ Gateway EPAX18 Expansion Unit

Gateway EPAX18 dimensions



Dimensions are in inches. [Dimensions in brackets are metric].

WORLDWIDE SUBSIDIARIES AND SALES OFFICES

PANDUIT CANADA
Markham, Ontario
cs-cdn@panduit.com
Phone: 800.777.3300

PANDUIT EUROPE LTD.
London, UK
cs-emea@panduit.com
Phone: 44.20.8601.7200

PANDUIT SINGAPORE PTE. LTD.
Republic of Singapore
cs-ap@panduit.com
Phone: 65.6305.7575

PANDUIT JAPAN
Tokyo, Japan
cs-japan@panduit.com
Phone: 81.3.6863.6000

PANDUIT LATIN AMERICA
Guadalajara, Mexico
cs-la@panduit.com
Phone: 52.33.3777.6000

PANDUIT AUSTRALIA PTY. LTD.
Victoria, Australia
cs-aus@panduit.com
Phone: 61.3.9794.9020

For a copy of Panduit product warranties, log on to www.panduit.com/warranty

For more information

Visit us at www.panduit.com

Contact Customer Service by email: cs@panduit.com
or by phone: 800.777.3300

PANDUIT®

©2014 Panduit Corp.
ALL RIGHTS RESERVED.
PVSP105--WW-ENG
7/2014