



FS-IP8180

FS-IP8180

The FS-IP8180 Pro Series was designed to utilize 8.0 megapixel resolution from its 180° field-of-view. Traditional cameras have an inherent weakness: only recording images specifically where they are pointed, zoomed and focused at a given time. The FS-IP8180 Pro Series can handle a very wide field-of-view. The Pro Series is perfectly suited for large environments with heavy traffic areas and can drastically reduce the camera count, labor costs, maintenance and investigation time.

Dimensions

- 1.38 x 2.52 x 3.27 in (35.1 x 64 x 83.1 mm) without lens
- 0.33 lb (150 g)

Performance Specification

- Field of View: 180°
- Sensor: 8.0MP CMOS
- Maximum Resolution: 3840 x 2100
- Active Pixel Count: 8,064,000
- Maximum Frame Rate: 12 fps (at max res)
- Compression: MJPEG / H.264
- Streaming: Quad H.264 + MJPEG
- 0.02 Lux (color) at F/1.4
- Backlight Compensation
- Dynamic Range: 65 dB
- Owl Eye™ Noise Reduction
- Full Onvif Compatibility

Technical Specification

- Lens: CS Mount
- Day / Night Option (IR Cut Filter)
- Motion Detection
- 100/10 LAN Connection
- UDP, TCP, HTTP, TFTP, RTSP

Electrical Specification

- DC Voltage: 12VDC
- PoE: 4.0 watts maximum

Environmental Specification

- Operating Temperature: -4° - 122° F
-20° - 50° C
- Humidity: 0% to 90%, No condensation

Warranty

- 3 Year, Parts and Labor

Images

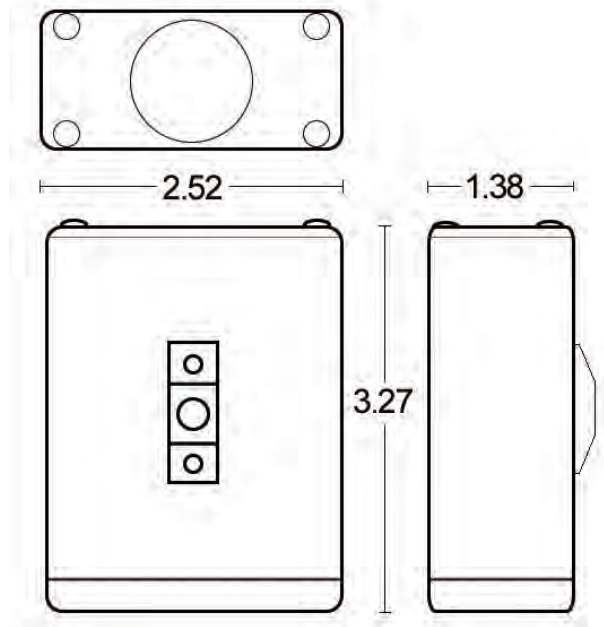


1



2

Dimensional Outline



Compatible Accessories

- FS-DM-180EX