



# FS-IP4180

## FS-IP4180

---

The FS-IP4180 is an ultra-compact, 4.0 megapixel 180° security and surveillance network camera. Designed with a discrete form factor, the FS-IP4180 is a cost-effective, unobtrusive security and surveillance solution for a variety of applications. A built-in Micro-SD slot allows the FS-IP4180 to be the perfect solution in distributed or standalone surveillance systems.

The camera was first launched in August 2012, and since has been a staple in the Sentry360 line.

## Dimensions

---

- 4.6 x 1.9 in (117 x 47.7 mm)
- 0.40 lb (180 g)

## Performance Specification

---

- Field of View: 180°
- Sensor: 4.0MP CMOS
- Maximum Resolution: 2560 x 1800
- Active Pixel Count: 4,608,000
- Maximum Frame Rate: 15 fps (at max res)
- Compression: MJPEG / H.264
- Streaming: Quad H.264 + MJPEG
- 0.04 Lux (color) at F/1.8
- Backlight Compensation
- Wide Dynamic Range
- Dynamic Range: 95 dB
- 3D Noise Reduction
- Full Onvif Compatibility

## Technical Specification

---

- Lens: M12-Mount Fisheye
- Micro-SD Storage
- Motion Detection
- Tamper Detection
- UDP, TCP/IP, HTTP, TFTP, RTP/RTSP
- 100/10 LAN Connection
- Weatherproof Standard: IP66
- Security: Username and password

## Electrical Specification

---

- PoE 802.3af
- 3.5 watts

## Environmental Specification

---

- Operating Temperature: 14° - 122° F  
-10° - 50° C
- Humidity: 10% to 90%, No condensation

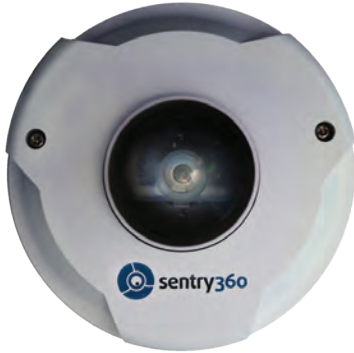
## Warranty

---

- 3 Year, Parts and Labor

## Images

---



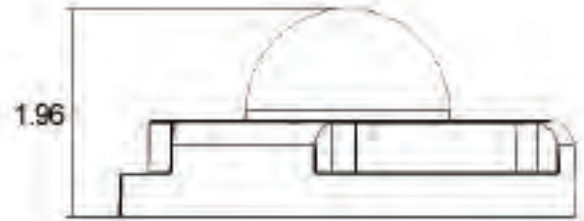
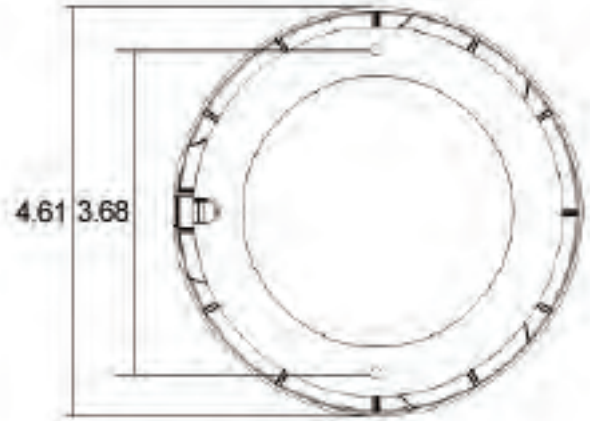
1



2

## Dimensional Outline

---



Unit: Inches