

POWERED BY



MT-F1597

Adjustable Splice for Bridge Kit for 12 coaxial cable runs

Dimensions

Height	25.4 mm 1.0 in
Length	838.2 mm 33.0 in
Width	838.2 mm 33.0 in
Weight	9.0 kg 19.9 lb

Environmental Specifications

Wind Rating	For specifications—contact 1-800-255-1479 (North America), 1-779-435-6500 (International), or a CommScope representative
-------------	--

General Specifications

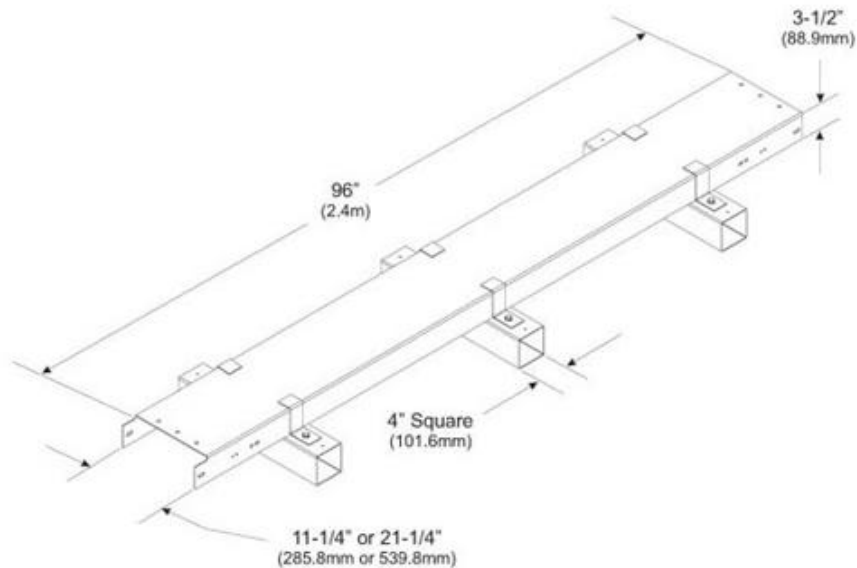
Product Type	Splices and splicing kits
Cable Runs, quantity	12
Mounting	Rooftop bridge kits
Includes	Hardware Splices
Material Type	Galvanized steel
Package Quantity	1

MT-F1597

POWERED BY



Outline Drawing



Regulatory Compliance/Certifications

Agency	Classification
ISO 9001:2008	Designed, manufactured and/or distributed under this quality management system

* Footnotes

Wind Rating	BWS—Base Wind Speed; FBC—Florida Building Code
-------------	--