

POWERED BY



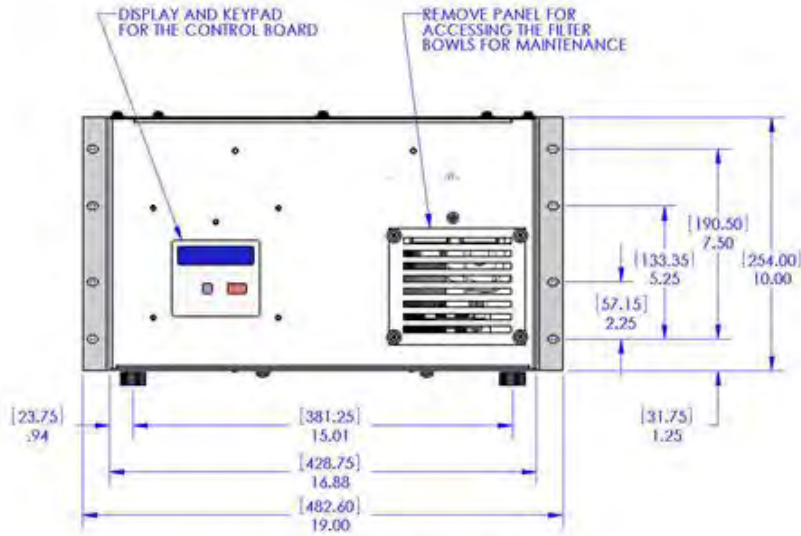
MT500B-81015-48

DryLine® Dehydrator, Low-pressure membrane, 19 in rack mountable, 2.0–5.0 psig, with summary alarm, with 48 Vdc inverter

MT500B-81015-48



Outline Drawing-Front



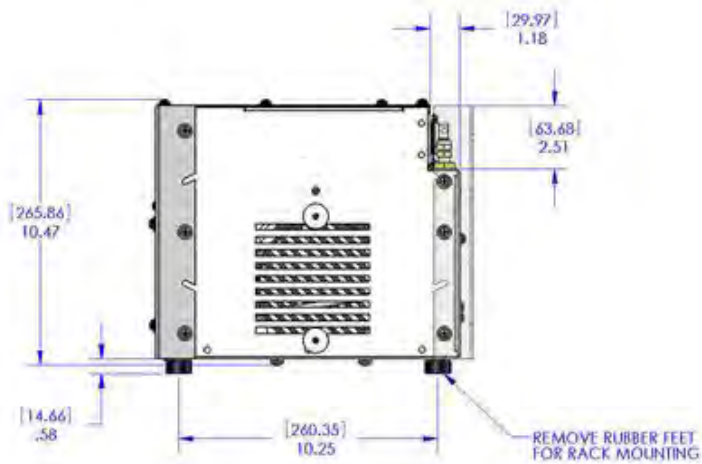
MT500B FRONT VIEW

DIMENSIONS ARE AS FOLLOWS: [] MILLIMETERS, [] INCHES

MT500B-81015-48



Outline Drawing-Side

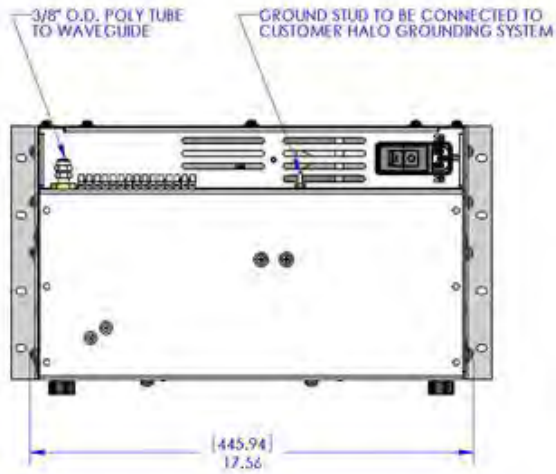


MT500B SIDE VIEW

MT500B-81015-48



Outline Drawing-Back

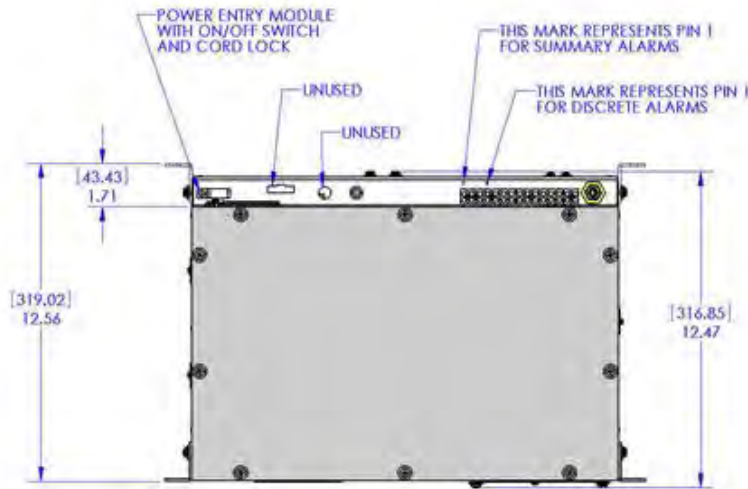


MT500B BACK VIEW

MT500B-81015-48



Outline Drawing-Top



MT500B TOP VIEW

Alarm

| Alarm Type | Summary |
|--------------------|--------------------------|
| Excess-Run Alarm | 10 minutes, factory set |
| Low-Pressure Alarm | 68 mbar 7 kPa 1 psig |

Dimensions

| | |
|------------------------|--------------------|
| Net Weight | 16.0 kg 35.4 lb |
| Product Depth | 320.0 mm 12.6 in |
| Product Height | 264.1 mm 10.4 in |
| Product Width | 431.8 mm 17.0 in |
| Gross Weight, Packed | 17.7 kg 39.1 lb |
| Product Depth, Packed | 533.4 mm 21.0 in |
| Product Height, Packed | 355.6 mm 14.0 in |
| Product Width, Packed | 457.2 mm 18.0 in |

Electrical Specifications

| | |
|----------------------------|---------------------------------------|
| Power Cord | USA power cord |
| Voltage | 48 Vdc \pm 10% inverter |
| Alarm Contact Rating | Form C dry contacts, 2 amps at 30 Vdc |
| Operating Temperature | -10 °C to +50 °C (+14 °F to +122 °F) |
| Power Consumption, average | 250.0 W |
| Power Phase | Single |

MT500B-81015-48



Suggested Circuit Breaker Size 20 A

Circuit Breaker Requirement Electrical connections require separate circuits for dehydrator installation

General Specifications

| | |
|--------------------------|--|
| Dehydrator Type | Automatic Membrane |
| Voltage Type | dc |
| Volume Capacity, minimum | 283.2 L 10.0 ft ³ |
| Volume Capacity, maximum | 3398.0 L 120.0 ft ³ |
| Brand | DryLine® |
| Cut In/Out Pressure Type | Factory set |
| Cut In Pressure | 13.8 kPa 2.0 psig |
| Cut Out Pressure | 34.5 kPa 5.0 psig |
| Dew Point | Better than -45 °C (-50 °F) at 95% RH at +40 °C (+104 °F) |
| Flow Rate | 14.2 SLPM 0.5 SCFM |
| Includes | 3/8 in polyethylene tubing 90° elbow fitting Male connector fitting Needle valve Power cord Power cord connector lock PTFE tape Screws |
| Mount Type | Floor Rack Shelf Wall |
| Port Count | 1 |
| Port Type | 3/8 in PE tube |
| Rack Type | EIA 19 in |
| Rack Units | 6 |