

MT-223
Backing Plate Kit

Dimensions

Height	254.0 mm		10.0 in
Length	304.8 mm		12.0 in
Width	304.8 mm		12.0 in
Weight	10.5 kg		23.1 lb

Environmental Specifications

Wind Rating	For specifications—contact 1-800-255-1479 (North America), 1-779-435-6500 (International), or a CommScope representative
-------------	--

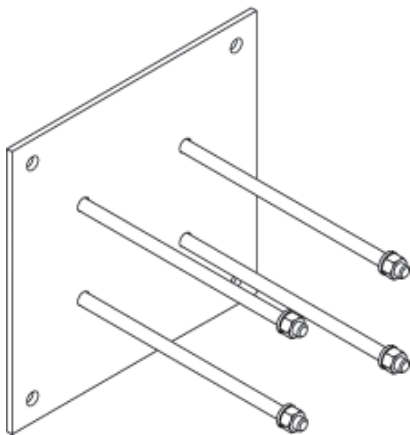
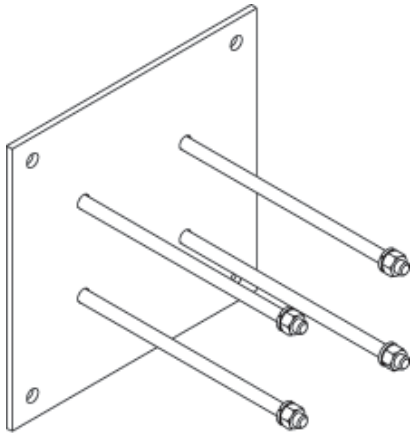
General Specifications

Product Type	Wall mount component
Mounting	Walls
Includes	Backing plates or anchors Wall brackets, two
Material Type	Hot dip galvanized steel
Package Quantity	2

MT-223



Outline Drawing



Regulatory Compliance/Certifications

Agency	Classification
ISO 9001:2008	Designed, manufactured and/or distributed under this quality management system

* Footnotes

Wind Rating	BWS—Base Wind Speed; FBC—Florida Building Code
-------------	--