

POWERED BY



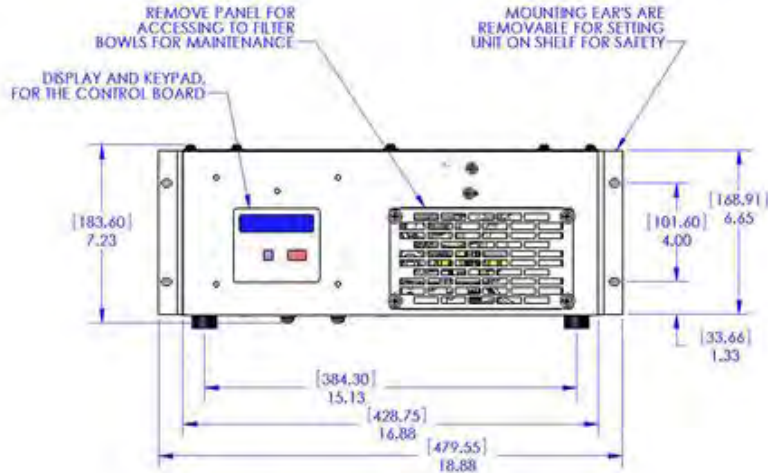
MT050B-81015-48

DryLine® Dehydrator, Low-pressure membrane, 19 in rack mountable, 3.0 psig, with summary alarm, with 48 Vdc inverter

MT050B-81015-48



Outline Drawing-Front



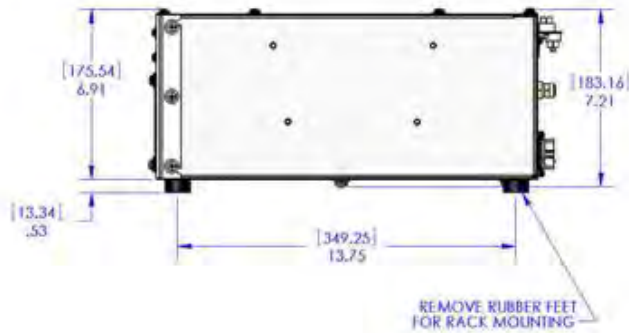
MT050B FRONT VIEW

DIMENSIONS ARE AS FOLLOWS: [] MILLIMETERS, INCHES

MT050B-81015-48



Outline Drawing-Side



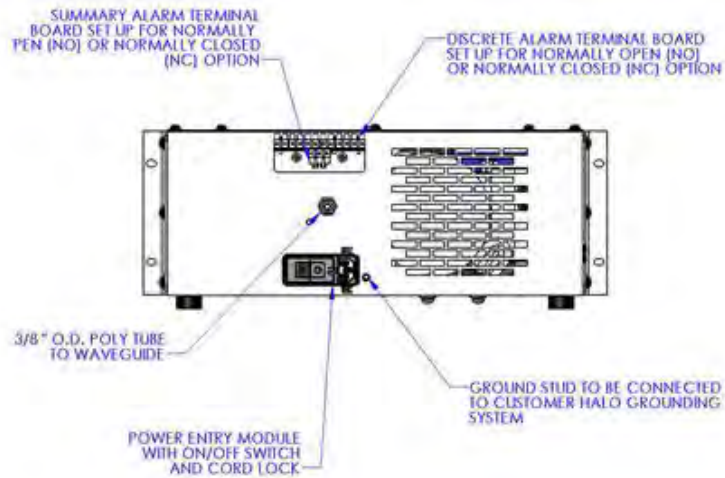
MT050B SIDE VIEW

MT050B-81015-48

POWERED BY



Outline Drawing-Back

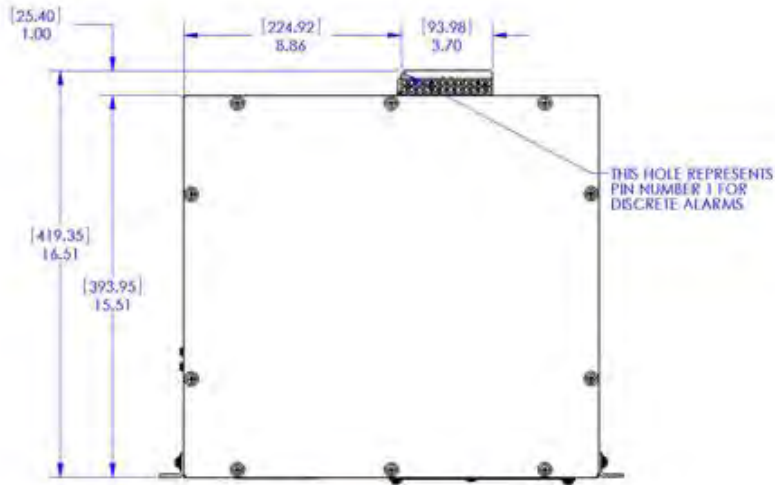


MT050B BACK VIEW

MT050B-81015-48



Outline Drawing-Top



MT050B TOP VIEW

Alarm

Alarm Type	Summary
Low-Pressure Alarm	68 mbar 7 kPa 1 psig

Dimensions

Net Weight	16.0 kg 35.4 lb
Product Depth	419.1 mm 16.5 in
Product Height	172.7 mm 6.8 in
Product Width	439.4 mm 17.3 in
Gross Weight, Packed	17.7 kg 39.1 lb
Product Depth, Packed	541.0 mm 21.0 in
Product Height, Packed	312.4 mm 12.3 in
Product Width, Packed	502.9 mm 19.8 in

Electrical Specifications

Power Cord	Europe power cord with stripped leads USA power cord
Voltage	48 Vdc ±10% inverter
Alarm Contact Rating	Form C dry contacts, 2 amps at 30 Vdc
Operating Temperature	-10 °C to +50 °C (+14 °F to +122 °F)
Power Consumption, average	220.0 W
Power Phase	Single
Suggested Circuit Breaker Size	20 A

MT050B-81015-48



Circuit Breaker Requirement

Electrical connections require separate circuits for dehydrator installation

General Specifications

Dehydrator Type	Automatic Membrane
Voltage Type	dc
Volume Capacity, minimum	0.0 L 0.0 ft ³
Volume Capacity, maximum	1699.0 L 60.0 ft ³
Brand	DryLine®
Dew Point	Better than -45 °C (-50 °F) at 95% RH at +40 °C (+104 °F)
Flow Rate	3.4 SLPM 0.1 SCFM
Includes	3/8 in polyethylene tubing 90° elbow fitting Instruction sheet Male connector fitting Needle valve Power cord Power cord connector lock PTFE tape Screws
Mount Type	Floor Rack Shelf
Port Count	1
Port Type	3/8 in PE tube
Rack Type	EIA 19 in
Rack Units	4
Regulated Output Pressure Type	factory set
Regulated Output Pressure, maximum	21.0 kPa 3.0 psig

Regulatory Compliance/Certifications

Agency

RoHS 2011/65/EU

China RoHS SJ/T 11364-2006

Classification

Compliant

Below Maximum Concentration Value (MCV)

