



E15S08P94

Tower Mounted Amplifier, Dual UMTS 2100 with AISG

Electrical Specifications Rx (Uplink)

| | |
|--------------------------------------|------------------|
| Bandwidth | 15.00 MHz |
| License Band | UMTS |
| Frequency Band | 1965 – 1980 MHz |
| Gain | 12 dB |
| Gain Tolerance | ±1 |
| Gain Ripple, maximum | 0.4 dB |
| Noise Figure, Mid Band, typical | 1.20 dB @ 12 dB |
| Noise Figure, Full Band, typical | 1.40 dB @ 12 dB |
| Input P1dB, typical | 1 dBm |
| Output IP3, minimum | 24 dBm @ 12 dB |
| Return Loss, minimum | 18 dB |
| Insertion Loss, Bypass Mode, typical | 3.90 dB |
| Return Loss, Bypass Mode, typical | 19 dB |
| Tx Band Rejection | 70 dB |
| Group Delay Variation, maximum | 10 ns @ 5.00 MHz |
| Total Group Delay, maximum | 90 ns |

Electrical Specifications Tx (Downlink)

| | |
|--------------------------------|-----------------|
| Bandwidth | 60.00 MHz |
| Insertion Loss, maximum | 0.40 dB |
| License Band | UMTS |
| Frequency Band | 2110 – 2170 MHz |
| Insertion Loss Ripple, maximum | 0.10 dB |
| Return Loss, minimum | 18 dB |
| Input Power, RMS, maximum | 160 W |
| Input Power, PEP, maximum | 2500 W |
| Rx Band Rejection | 60 dB |
| Group Delay Variation, maximum | 3 ns @ 5.00 MHz |
| Total Group Delay, maximum | 18 ns |

Electrical Specifications 2 Tx (Downlink)

| | |
|---------------------------|----------------------|
| 3rd Order IMD | -110 dBm |
| 3rd Order IMD Test Method | Two +43 dBm carriers |

Electrical Specifications

| | |
|------------------|----------|
| Default Protocol | AISG 2.0 |
|------------------|----------|

Product Specifications

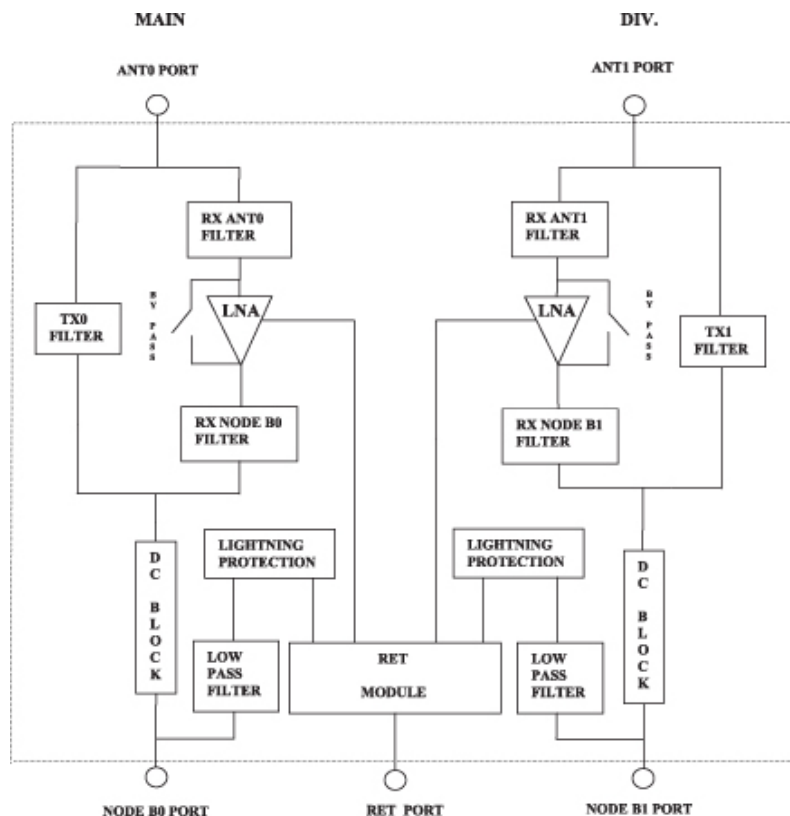
COMMSCOPE®

E15S08P94



| | |
|-------------------------------------|-----------------------------|
| Protocol | AISG 2.0 |
| Voltage | 7–30 Vdc |
| Operating Current at Voltage | 100 mA @ 12 V |
| Operating Current Tolerance | ±15 mA |
| Alarm Functionality | AISG CWA |
| Failure Current Consumption | 250 mA ±15 mA @ 12 V |
| RET System Compatible | 1 Output, 24 Vdc and RS-485 |
| Lightning Surge Capability Waveform | 8/20 waveform |
| Lightning Surge Current | 10 kA |

Block Diagram



Mechanical Specifications

| | |
|---------------------------|-----------------|
| Connector Interface | 7-16 DIN Female |
| Connector Interface Style | Long neck |
| Ground Screw Diameter | 8.00 mm |
| AISG Connector Standard | IEC 60130-9 |
| Finish | Painted |
| Color | Gray |
| Mounting Pipe Hardware | Band clamps |
| Mounting Pipe Diameter | 40-160 mm |

Environmental Specifications

| | |
|--------------------------------|--------------------------------------|
| Operating Temperature | -40 °C to +65 °C (-40 °F to +149 °F) |
| Relative Humidity | Up to 100% |
| Ingress Protection Test Method | IEC 60529:2001, IP67 |

Dimensions

| | |
|--------|-------------------|
| Height | 188.0 mm 7.4 in |
|--------|-------------------|

Product Specifications

COMMSCOPE®

E15S08P94



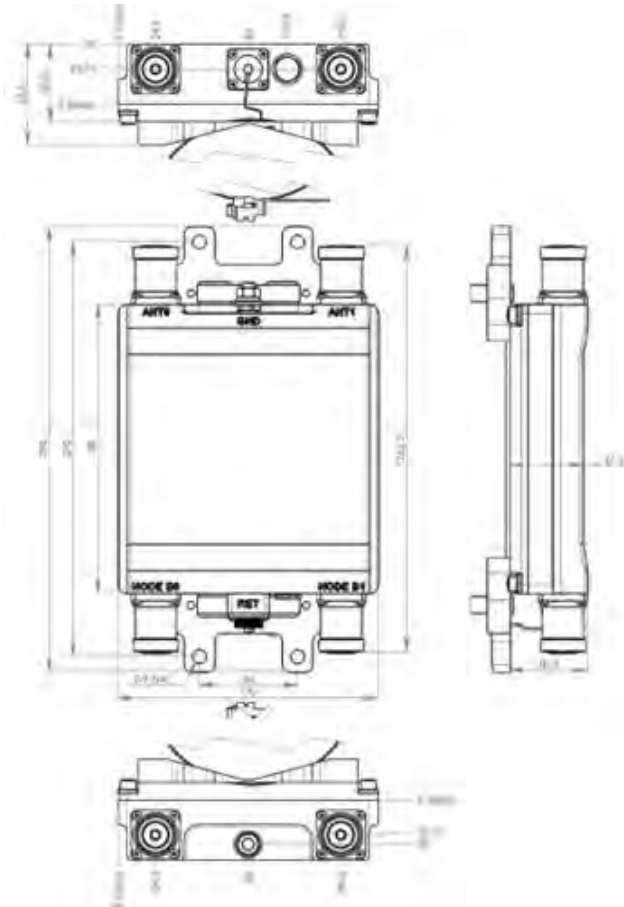
| | |
|--------|-------------------|
| Width | 170.0 mm 6.7 in |
| Depth | 50.0 mm 2.0 in |
| Volume | 1.6 L |
| Weight | 3.3 kg 7.3 lb |

E15S08P94

POWERED BY



Outline Drawing



Regulatory Compliance/Certifications

| Agency | Classification |
|---------------|--|
| ISO 9001:2008 | Designed, manufactured and/or distributed under this quality management system |