



E11F05P87

Twin Triplexer 900/1800/UMTS, dc bypass on 900 MHz port

Electrical Specifications

dc Pass-through	Band 1
3rd Order IMD Test Method	Two +43 dBm carriers
3rd Order IMD, maximum	-110 dBm
Isolation Between Paths, minimum	50.0 dB
Lightning Surge Current	10 kA
Lightning Surge Current Waveform	8/20 waveform
Operating Power, maximum	250 W
Return Loss, minimum	21.00 dB
Return Loss, typical	24.00 dB

Electrical Specifications (Branch 1)

License Band	EGSM 900 LTE 800
Operating Frequency Band	790 – 960 MHz
Insertion Loss, typical	0.15 dB

Electrical Specifications (Branch 2)

License Band	DCS 1800
Operating Frequency Band	1710 – 1880 MHz
Insertion Loss, typical	0.20 dB

Electrical Specifications (Branch 3)

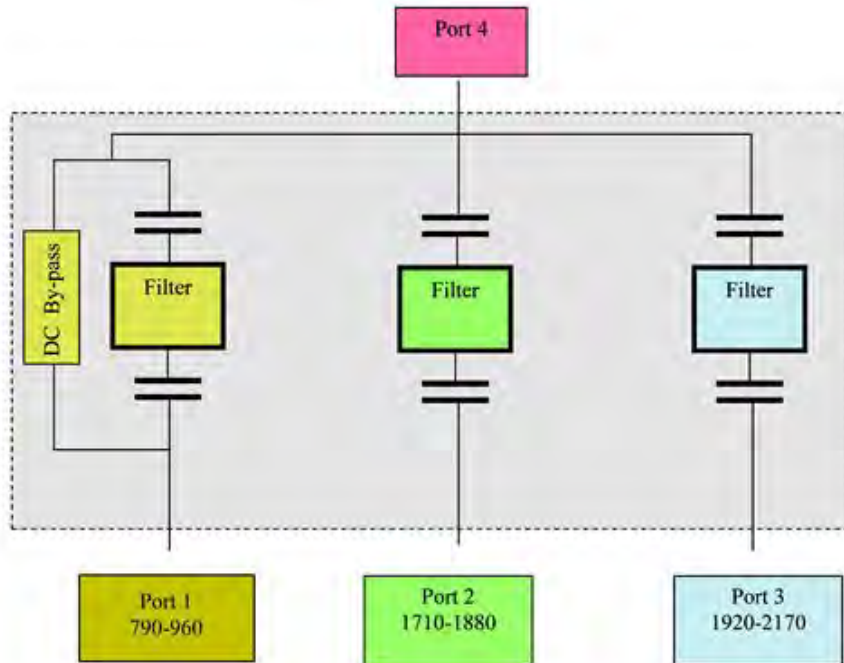
Insertion Loss, typical	0.20 dB
License Band	UMTS
Operating Frequency Band	1920 – 2170 MHz

E11F05P87

POWERED BY

ANDREW

Block Diagram



General Specifications

Product Type	Triplexer
Application	Indoor Outdoor
Includes	Mounting hardware

Mechanical Specifications

Color	Gray
Connector Interface	7-16 DIN Female
Connector Interface Style	Medium neck
Mounting Pipe Diameter	40–160 mm
Mounting Pipe Hardware	Band clamps

Environmental Specifications

Ingress Protection Test Method	IEC 60529:2001, IP67
Operating Temperature	-40 °C to +60 °C (-40 °F to +140 °F)
Relative Humidity	Up to 100%

Dimensions

Depth	192.0 mm 7.6 in
Height	151.0 mm 5.9 in

Product Specifications

COMMSCOPE®

E11F05P87

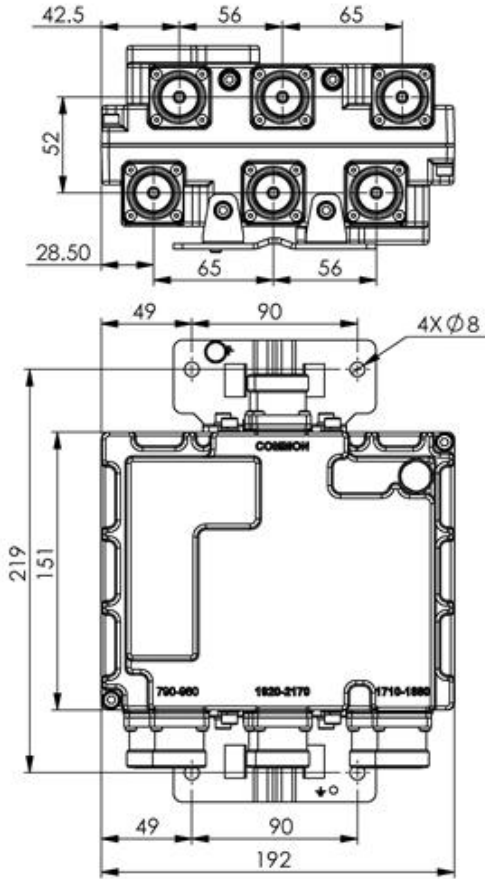


Volume 3.1 L
Width 108.0 mm | 4.3 in
Weight, without mounting hardware 4.7 kg | 10.4 lb

E11F05P87



Outline Drawing



Regulatory Compliance/Certifications

Agency	Classification
ISO 9001:2008	Designed, manufactured and/or distributed under this quality management system