

Product Specifications



E11F01P06

Material ID: E11F01P06

OneBase™ Diplexer, DCS 1800/UMTS 2100



CHARACTERISTICS

Electrical Specifications

3rd Order IMD Test Method	Two +43 dBm carriers
3rd Order IMD, typical	-110 dBm
dc Pass-through	Band 1 Band 2
Isolation Between Paths, minimum	50.0 dB
Lightning Surge Current	10 kA
Lightning Surge Current Waveform	8/20 waveform

Electrical Specifications (Band 1)

Insertion Loss, maximum	0.30 dB
License Band	DCS 1800
Operating Frequency Band	1710 – 1880 MHz
Output Power, maximum composite	240 W
Return Loss at Frequency Band, minimum	20 dB @ 1710–1880 MHz

Electrical Specifications (Band 2)

Insertion Loss, maximum	0.30 dB
License Band	UMTS
Operating Frequency Band	1920 – 2170 MHz
Output Power, maximum composite	240 W
Return Loss at Frequency Band, minimum	20 dB @ 1920–2170 MHz

www.commscope.com/andrew

©2011 CommScope, Inc. All rights reserved.
All trademarks identified by ® or ™ are registered trademarks or trademarks, respectively, of CommScope. All specifications are subject to change.
See www.commscope.com/andrew for the most current information.

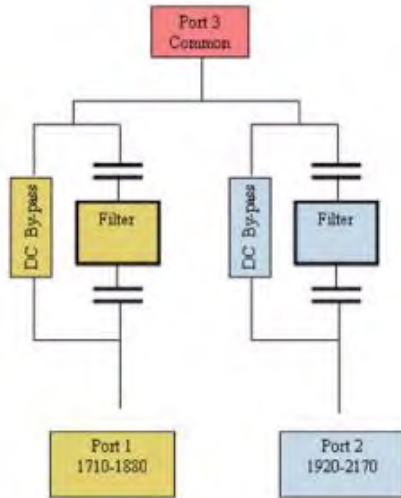
page 1 of 4
5/4/2011

Product Specifications

E11F01P06 - Material ID: E11F01P06



Block Diagram



General Specifications

Application	Indoor Outdoor
Includes	Mounting hardware

Mechanical Specifications

Color	Gray
Connector Interface	7-16 DIN Female
Connector Interface Style	Long neck
Mounting Pipe Diameter	40-160 mm
Mounting Pipe Hardware	Band clamps

Environmental Specifications

Corrosion Test Method	IEC 60068-2-11
Damp Heat Exposure Test Method	IEC 60068-2-30
Ingress Protection Test Method	IEC 60529:2001, IP68
Mechanical Shock Test Method	IEC 60068-2-27
Moisture Resistance Test Method	IEC 60529, IP68
Operating Temperature	-40 °C to +60 °C (-40 °F to +140 °F)
Relative Humidity	Up to 100%
Thermal Shock Test Method	IEC 60068-2-14
UV Resistance Test Method	IEC 60068-2-5
Vibration Test Method	IEC 60068-2-6

www.commscope.com/andrew

©2011 CommScope, Inc. All rights reserved.
All trademarks identified by ® or ™ are registered trademarks or trademarks, respectively, of CommScope. All specifications are subject to change.
See www.commscope.com/andrew for the most current information.

page 2 of 4
5/4/2011

Product Specifications

E11F01P06 - Material ID: E11F01P06



Dimensions

Depth	46.2 mm 1.8 in
Height	240.0 mm 9.4 in
Volume	1.9 L
Width	175.0 mm 6.9 in
Weight, without mounting hardware	2.6 kg 5.7 lb

www.commscope.com/andrew

©2011 CommScope, Inc. All rights reserved.
All trademarks identified by ® or ™ are registered trademarks or trademarks, respectively, of CommScope. All specifications are subject to change.
See www.commscope.com/andrew for the most current information.

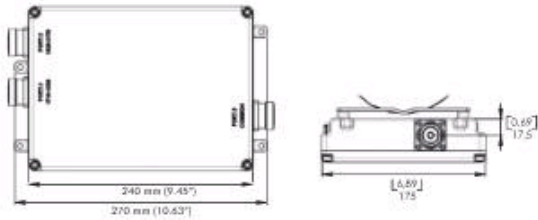
page 3 of 4
5/4/2011

Product Specifications

E11F01P06 - Material ID: E11F01P06



Outline Drawing



Regulatory Compliance/Certifications

Agency	Classification
ISO 9001:2008	Designed, manufactured and/or distributed under this quality management system

www.commscope.com/andrew

©2011 CommScope, Inc. All rights reserved.
All trademarks identified by ® or ™ are registered trademarks or trademarks, respectively, of CommScope. All specifications are subject to change.
See www.commscope.com/andrew for the most current information.