



HPX15-77-D3M

4.6 m | 15 ft High Performance Parabolic Shielded Antenna, dual-polarized, 7.725–8.275 GHz, PDR84, gray antenna, enhanced white radome with flash, standard pack—two-piece reflector

General Specifications

Antenna Type	HPX - High Performance Parabolic Shielded Antenna, dual-polarized
Diameter, nominal	4.6 m 15 ft
Packing	Standard pack
Radome Color	White
Radome Material	Enhanced
Reflector Construction	Two-piece reflector
Antenna Input	PDR84
Antenna Color	Gray
Antenna Type	HPX - High Performance Parabolic Shielded Antenna, dual-polarized
Diameter, nominal	4.6 m 15 ft
Flash Included	Yes
Polarization	Dual

Electrical Specifications

Operating Frequency Band	7.725 – 8.275 GHz
Electrical Compliance	US FCC Part 78B
Operating Frequency Band	7.725 – 8.275 GHz

Mechanical Specifications

Fine Azimuth Adjustment	±5°
Fine Elevation Adjustment	±3.6°
Mounting Pipe Diameter	115 mm 4.5 in
Net Weight	499 kg 1100 lb
Side Struts, Included	1 inboard
Side Struts, Optional	2 outboard
Wind Velocity Operational	110 km/h 68 mph
Wind Velocity Survival Rating	200 km/h 124 mph

Wind Forces At Wind Velocity Survival Rating

Angle α for MT Max	110 °
Axial Force (FA)	39672 N 8919 lbf
Force on Inboard Strut Side	35233 N 7921 lbf
Side Force (FS)	19652 N 4418 lbf

Product Specifications

COMMSCOPE®

HPX15-77-D3M

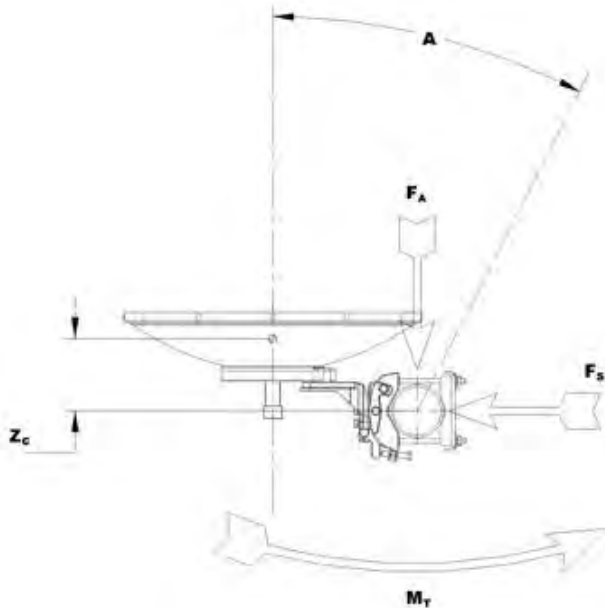


Twisting Moment (MT)	29828 N•m
Weight with 1/2 in (12 mm) Radial Ice	952 kg 2099 lb
Zcg with 1/2 in (12 mm) Radial Ice	1372 mm 54 in
Zcg without Ice	1306 mm 51 in

HPX15-77-D3M



Wind Forces At Wind Velocity Survival Rating Image



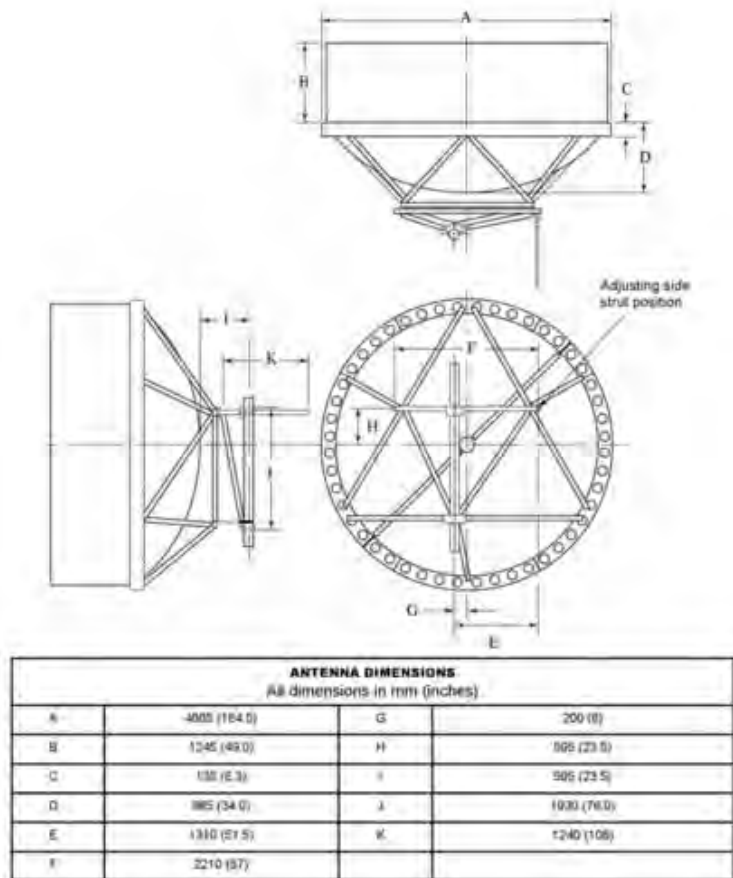
Packed Dimensions

Gross Weight, Packed Antenna	1136.0 kg		2504.5 lb
Height	2570.0 mm		101.2 in
Length	4930.0 mm		194.1 in
Volume	19.4 m ³		
Width	1530.0 mm		60.2 in

HPX15-77-D3M



Antenna Dimensions And Mounting Information



Regulatory Compliance/Certifications

Agency	Classification
ISO 9001:2008	Designed, manufactured and/or distributed under this quality management system

Included Products

HPX15-77 (Product Component—not orderable) — 4.6 m | 15 ft High Performance Parabolic Shielded Antenna, dual-polarized, 7.725–8.275 GHz

* Footnotes

Axial Force (FA)	Maximum forces exerted on a supporting structure as a result of wind from the most critical direction for this parameter. The individual maximums specified may not occur simultaneously. All forces are referenced to the mounting pipe.
Operating Frequency Band	Bands correspond with CCIR recommendations or common allocations used throughout the world. Other ranges can be accommodated on special order.
Packing	Andrew standard packing is suitable for export. Antennas are shipped as standard in totally recyclable cardboard or wire-bound crates (dependent on product). For your convenience,

HPX15-77-D3M



Andrew offers heavy duty export packing options.

Side Force (FS)

Maximum side force exerted on the mounting pipe as a result of wind from the most critical direction for this parameter. The individual maximums specified may not occur simultaneously. All forces are referenced to the mounting pipe.

Twisting Moment (MT)

Maximum forces exerted on a supporting structure as a result of wind from the most critical direction for this parameter. The individual maximums specified may not occur simultaneously. All forces are referenced to the mounting pipe.

Wind Velocity Operational

The wind speed where the antenna deflection is equal to or less than 0.1 degrees. In the case of ValuLine antennas, it is defined as a maximum deflection of 0.3 x the 3 dB beam width of the antenna.

Wind Velocity Survival Rating

The maximum wind speed the antenna, including mounts and radomes, where applicable, will withstand without permanent deformation. Realignment may be required. This wind speed is applicable to antenna with the specified amount of radial ice.