

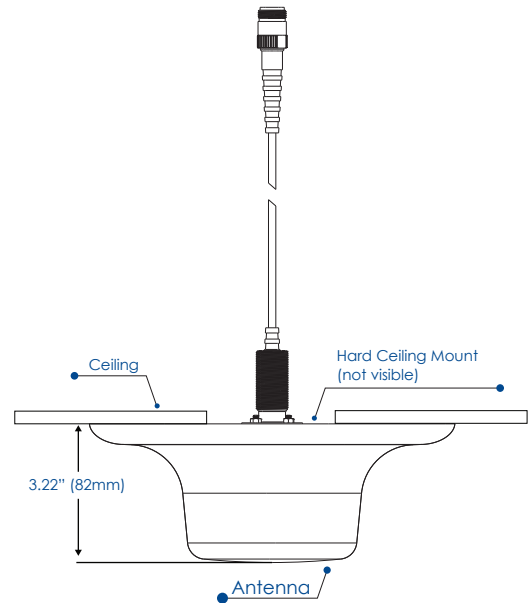
Hard Ceiling Mount for PEAR S5379i

Hard Ceiling Installation

DESCRIPTION:

Galtronics' hard ceiling mount offers an easy installation solution to mount Galtronics' PEAR S5379i antenna to hard ceilings not requiring a second access hole. Mounting hardware is not included. Make sure the selected fasteners are appropriate based on the ceiling material to which the hard ceiling mount is attached to. The hard ceiling mount doesn't add any additional height to the antenna height.

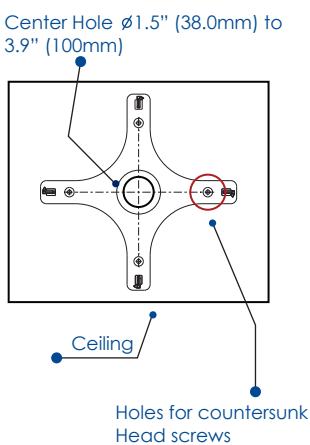
Specifications	
Environmental Conditions	Indoor
Weight	0.04 lbs (20 g)
Dimensions (Width/Length)	6.6" (170mm)
Hard Ceiling Mount Color	White
Hard Ceiling Material	PC/ABS (halogen free)
Center Hole Diameter	1.5" (38mm) to 3.9" (100mm)
Total Height After Installation	3.22" (82mm)
Mounting Hardware	Not included



Assembly Instructions for the S5379i Hard Ceiling Mount:

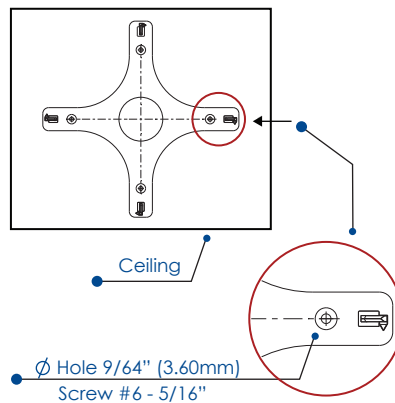
A.

Cut a hole with a diameter between 1.5" (38mm) to 3.9" (100mm) into the ceiling and mark 4 holes for countersunk head screws.



B.

Center the hard ceiling adapter above the center hole and attach it with 4 countersunk head screws #6-5/16" (hole 9/64" 3.60mm) diameter suitable for the ceiling material (not provided).



C.

Remove the protective labels from the antenna base plate which cover the four key slots. Raise the antenna towards the Hard Ceiling Mount. Insert the Key to the Key Slot, and turn the antenna as shown in below illustration.

