

## SurroundVideo® WDR

H.264 All-in-One 180° and 360° Panoramic WDR Day/Night Indoor/Outdoor Dome IP Cameras



180° Panoramic WDR



360° Panoramic WDR

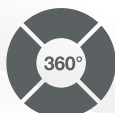
### Camera Models

12MP Panoramic 180°	12MP Panoramic 360°
AV12186DN	AV12366DN

The H.264 12MP SurroundVideo® WDR is the industry's first wide dynamic range panoramic camera. The new SurroundVideo® WDR is an all-in-one solution with a dynamic range of up to 100dB at full resolution, has a dual encoder (H.264 and MJPEG), an impact-resistant dome, and is 50% smaller than previous SurroundVideo® models. A SurroundVideo® camera can replace multiple fixed or PTZ cameras by recording the entire panoramic field of view with the ability to zoom into multiple regions of interest—a return on investment that's easily measured.



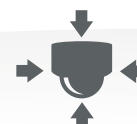
180° Panoramic



360° Panoramic



Wide Dynamic Range



All-in-One Dome Solution with Integrated Lens



Impact / Weather Resistant  
IK-10 and IP66 Rated



Pixel Binning Mode



True Day/Night with IR Cut Filter



Dual Encoder  
H.264/MJPEG

### Features:

- Industry's First 12MP WDR Panoramic Megapixel Cameras
- True WDR up to 100dB at Full Resolution: See Clearly in Shaded and Bright Light Conditions Simultaneously
- Forensic Zooming – Zoom Live or After the Event While Recording Full Field-of-View in HD – Replace PTZ Devices
- Binning Mode for Strong Low Light Performance
- Bit Rate Control and Multi-Streaming
- True Day/Night Functionality with Electro-Mechanical IR Cut Filter
- Outdoor Rated IP66 and IK-10 Impact-Resistant Housing
- Total PoE Solution (No External Power Required)
- PoE and Auxiliary Power: 12–48V DC/24V AC
- Easily Adjustable 2-Axis Camera Gimbal with 360° Pan and 90° Tilt
- +/- 5° Electrical Vertical Alignment to Locate Each Sensor Position (180° Series)
- +/- 7° Mechanical Tilt Adjustment to Locate Each Sensor Angle (360° Series)
- Complete Mounting Options
- Dual Encoder H.264/MJPEG
- Privacy Mask, Motion Detection, Flexible Cropping, Bit Rate Control and Multi-Streaming
- Fast Frame Rates 5.2fps @ 12MP
- Reduced Overall System Cost
- Made in the USA



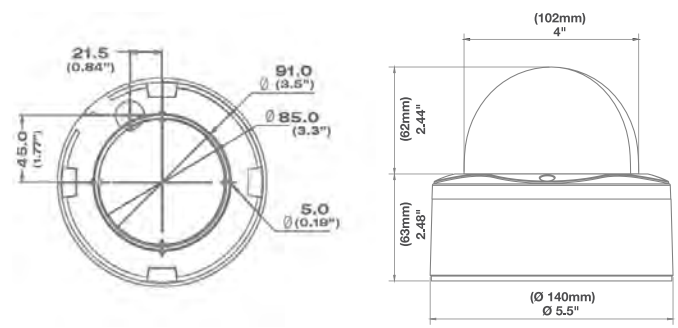
Camera Imaging	Model	AV12186DN		AV12366DN	
	Image Sensor	4 x 3MP CMOS WDR		4 x 3MP CMOS WDR	
	Optical Format	1/3.2" Progressive Scan		1/3.2" Progressive Scan	
	Pixel Pitch	2.2µm		2.2µm	
	Minimum Illumination	Color	0.5 Lux @ F2.0	Color	0.5 Lux @ F2.0
		Color Binning	0.25 Lux @ F2.0	Color Binning	0.25 Lux @ F2.0
		Day/Night	0 Lux, IR sensitive	Day/Night	0 Lux, IR sensitive
	Full Field of View (FOV) Resolution	Total	8192 H x 1536 V	Total	8192 H x 1536 V
		Per Sensor	2048 H x 1536 V	Per Sensor	2048 H x 1536 V
	1/4 Resolution	Total	4096 H x 768 V	Total	4096 H x 768 V
		Per Sensor	1024 H x 768 V	Per Sensor	1024 H x 768 V
	Dynamic Range	Up to 100dB at Full Resolution		Up to 100dB at Full Resolution	
	Lens	5.4mm, M12, F2.0, 1/3.2"		2.6mm, M12, F2.0, 1/2.5"	
	Video Frame Rates	Max	5.2fps (8192 x 1536)	Max	5.2fps (8192 x 1536)
			16.7fps (4096 x 768)		16.7fps (4096 x 768)

Data Transmission	Compression Type	H.264 (MPEG-4, Part 10)/Motion JPEG 21 levels of quality
	Network Protocols	RTSP, RTP/TCR, RTP/UDP, HTTP, DHCP, TFTP
	Network Interface	100Base-T Ethernet
	Multi-Streaming	8 non-identical streams (2 per sensor)

Electrical	Input/Output	General purpose opto-coupled
	Power Over Ethernet	PoE 802.3af, Class 3
	Auxiliary Power	12-48V DC and 24V AC
	Max Power Consumption	14 Watts Max (Auxiliary Power)

Programmability	Auto adjustment between WDR and LDR modes
	Binning Mode
	Privacy mask
	Flexible Cropping (resolution windowing down to 1x1 pixel for JPEG and 2x2 pixels for H.264)
	+/-5° Digital Vertical Alignment to adjust images (AV12186DN)
	On-camera real-time motion detection with up to 1024 detection zones (per sensor)
	Auto multi-matrix white balance
	50/60Hz selectable flicker control
	Electronic pan, tilt, zoom (PTZ)
	Programmable shutter speed to help control motion blur
	MoonLight™ Mode: extended exposure and proprietary noise cancellation
	Programmable resolution, brightness, saturation, gamma, sharpness, tint
	Simultaneous delivery of full field-of-view and zoomed images
	Bandwidth and storage savings by running at 1/4 resolution
	Bit rate and bandwidth limit control

Mechanical	Casing	Die-cast aluminum chassis with 4" polycarbonate dome bubble IP66 weather proof standard Impact resistant, IK-10 rated
	Gimbal	Easily adjustable, 2-axis w/360° pan and 90° tilt
	Total Unit Dimensions	Unit: Ø 5.5" (140mm) x 4.9" H (125mm)
		Bubble Only: Ø 4.0" (102mm) x 2.4" H (62mm)
	Weight	Unit: 2.8lbs (1.27kg)
		Packaged: 3.4lbs (1.54kg)



Compliance	Industry Standard	PSIA Conformant
	Listings	UL (CB)
	FCC Compliance	47 CFR 15 Class A
	Environmental	RoHS, REACH, WEEE

Accessories	MD-WMT2	Wall Mount w/1.5" NPT
	SV-EBA	Electrical Box Adapter for MD-WMT2
	MD-CAP	Wall Mount Cap Only w/1.5" NPT
	MD-CMT	Pendant Mount
	MD-FMA	Flush Mount
	MD-CRMA	Corner Mount Adapter
	MD-PMA	Pole Mount Adapter
	MD-EBA	Electrical Box Adapter
	SV-JBA	Junction Box Adapter

Environmental	Protection Ratings	IP66 water/dust protection rating IK-10 impact-resistant polycarbonate dome
	Operating temperature	-40°C (-40°F) to +50°C (122°F)
	Humidity	0% to 90% (non-condensing)
	Stable image temperature	0°C (32°F) to +50°C (122°F)
	Storage temperature	-40°C (-40°F) to +60°C (140°F)