

D6721-15E

Wallplates and Housings

Item Description

DuraPort Industrial Patch Cord, Industrial Plug-to-RJ45, 15 Foot Length, CAT 6, Black



UPC Code: 07847722993

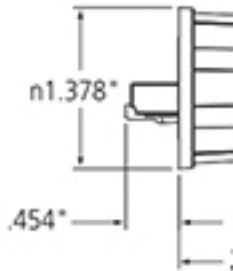
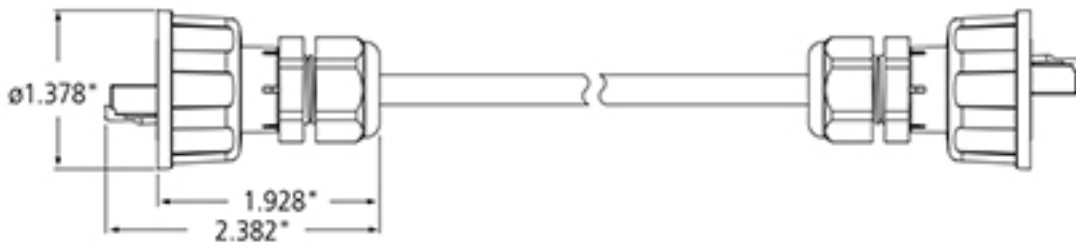
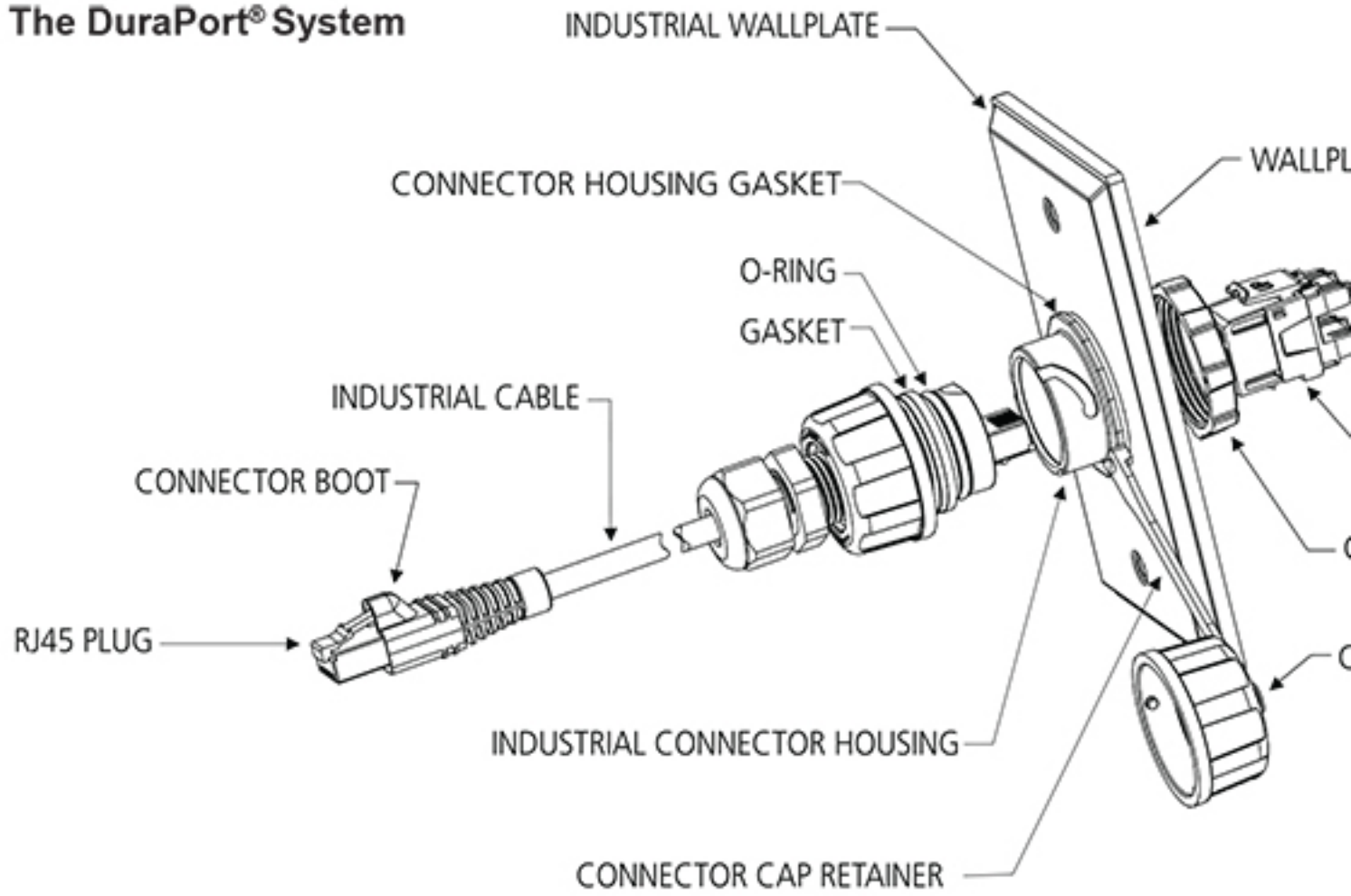
Country of Origin: Taiwan - **Eligible for
ARRA funded projects > \$7,443,000*

Features and Benefits

- IP67-rated Environmental Sealing (dust/water protection)
- Patch cords available in Industrial Plug-to-Industrial Plug and Industrial Plug-to-RJ45 Plug
- Available in six standard lengths (custom lengths available)
- Industrial Plug o-ring and gasket provides dual seal feature
- Twist-lock design for faster installation and changes
- Encapsulated RJ45 design protects integral components
- Sealing nut provides strain relief and seal to prevent contamination from liquids and dust
- Patented design
- CAT 6 cable



The DuraPort® System



Industrial Plug-to-Industrial Plug

SPECIFICATION SUBMITTAL

JOB NAME:	CATALOG NUMBERS:	
<input type="text"/>	<input type="text"/>	<input type="text"/>
JOB NUMBER:	<input type="text"/>	<input type="text"/>

Leviton Manufacturing Co., Inc.

201 North Service Road, Melville, NY 11747

Telephone: 1-800-323-8920 · FAX: 1-800-832-9538 · Tech Line (8:30AM-7:30PM E.S.T. Monday-Friday): 1-800-824-3005

Leviton Manufacturing of Canada, Ltd.

165 Hymus Boulevard, Pointe Claire, Quebec H9R 1E9 · Telephone: 1-800-469-7890 ·

FAX: 1-800-824-3005 · www.leviton.com/canada

Leviton S. de R.L. de C.V.

Lago Tana 43, Mexico DF, Mexico CP 11290 · Tel.: (+52)55-5082-1040 · FAX: (+52)5386-1797 · www.leviton.com.mx

Visit our Website at: www.leviton.com

© 2012-2015 Leviton Manufacturing Co., Inc. All rights reserved. Subject to change without notice.



Leviton has a global presence.

If you would like to know where your local Leviton office is located please go to: www.leviton.com/international/contacts/

**Buy American Compliant Logo -- The American Recovery And Reinvestment Act of 2009 ("ARRA") provides federal grants and loans for projects throughout the country. Section 1605 of the Act, named the "Buy American" provision, requires that certain materials and manufactured products used in projects funded by the Act be manufactured in the United States. The appearance of the Recovery Act Logo in relation to a Leviton product is only intended to reflect that such product may be used in an ARRA funded project. It does not mean that such product or Leviton is sponsored or endorsed by, or that Leviton receives funds from, the federal government or the Recovery Accountability and Transparency Board. Nothing in Leviton's use of the logo is intended to suggest anything regarding the requirements for funding under ARRA.*