

61110-RW6



UPC Code: 07847714459

Country of Origin: United States - **Eligible for ARRA funded projects*



**May include one or more globally sourced components.*



Connectors

Brand Features

Leviton's eXtreme 6+ Connector is designed to be used with all Leviton QuickPort compatible products. The connectors include Leviton's patented "Retention Force Technology" (RFT) which promotes consistent performance over the life of the system. Includes unique pair separation towers allowing for quicker and easier terminations. The connector is configured in a 180 Degree configuration such that the punch field is in the back, allowing for rear termination.

Item Description

eXtreme Cat 6+ QuickPort Connector, Cat 6, White

Technical Information

Environmental Specifications

Flammability: Rated UL94V-0

Material Specifications

Contact Surface Material: 50 microinches thick Gold-Plated

Contact Sub-Surface Material: 100 microinches thick Nickel-Plated

Contact Base Material: Phosphor Bronze

Body Material: High-Impact Fire-Retardant Plastic

Body Color: White

Standards and Certifications

TIA/EIA: TIA-568-B

UL: cULus Listed

CSA: Certified

NEC: Article 800 Compliant

FCC: Part 68 Compliant

Mechanical Specifications

Position / Conductor: 8P8C

Style Name: eXtreme

Termination Type: 110 Punchdown

Connector Feature: Channel/Component Rated

Cable Type: 8-Conductor UTP Copper Cat 5, 5e and 6

Product ID: Permanently laser-engraved

Wiring Standard: T568A T568B

Performance Specifications

Module Type: Category 6

Product Features

Module Style: Connector

Module Type: Category 6

Position / Conductor: 8P8C

Cable Type: 8-Conductor UTP Copper Cat 5, 5e and 6

Connector Feature: Channel/Component Rated

Termination Type: 110 Punchdown

Contact Surface Material: 50 microinches thick Gold-Plated

Contact Sub-Surface Material: 100 microinches thick Nickel-Plated

Contact Base Material: Phosphor Bronze

Category Rating: eXtreme CAT 6+

Body Color: White

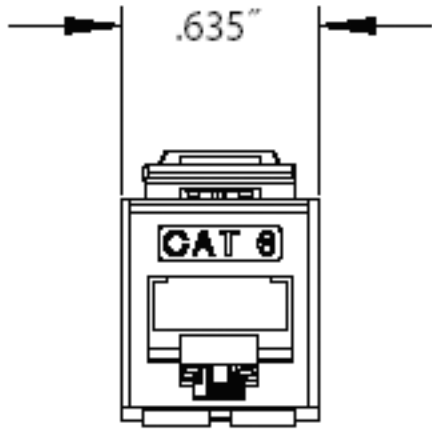
Standards and Certifications: TIA/EIA

cULus Listed

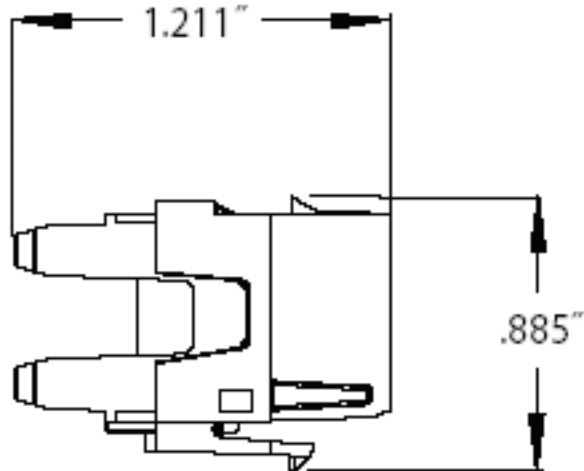
Warranty: 1 Year Limited

Packaging: Single Pack 1/bag

Color: White



Front View



Side View

SPECIFICATION SUBMITTAL

JOB NAME: <input type="text"/>	CATALOG NUMBERS: <input type="text"/>	<input type="text"/>
JOB NUMBER: <input type="text"/>	<input type="text"/>	<input type="text"/>

Leviton Manufacturing Co., Inc.

201 North Service Road, Melville, NY 11747

Telephone: 1-800-323-8920 · FAX: 1-800-832-9538 · Tech Line (8:30AM-7:30PM E.S.T. Monday-Friday): 1-800-824-3005

Leviton Manufacturing of Canada, Ltd.

165 Hymus Boulevard, Pointe Claire, Quebec H9R 1E9 · Telephone: 1-800-469-7890 ·

FAX: 1-800-824-3005 · www.leviton.com/canada

Leviton S. de R.L. de C.V.

Lago Tana 43, Mexico DF, Mexico CP 11290 · Tel.: (+52)55-5082-1040 · FAX: (+52)5386-1797 · www.leviton.com.mx

Visit our Website at: www.leviton.com

© 2012-2014 Leviton Manufacturing Co., Inc. All rights reserved. Subject to change without notice.

Leviton has a global presence.

If you would like to know where your local Leviton office is located please go to: www.leviton.com/international/contacts/



**Buy American Compliant Logo -- The American Recovery And Reinvestment Act of 2009 ("ARRA") provides federal grants and loans for projects throughout the country. Section 1605 of the Act, named the "Buy American" provision, requires that certain materials and manufactured products used in projects funded by the Act be manufactured in the United States. The appearance of the Recovery Act Logo in relation to a Leviton product is only intended to reflect that such product may be used in an ARRA funded project. It does not mean that such product or Leviton is sponsored or endorsed by, or that Leviton receives funds from, the federal government or the Recovery Accountability and Transparency Board. Nothing in Leviton's use of the logo is intended to suggest anything regarding the requirements for funding under ARRA.*