

# 40833-BBE

# A/V Solutions

### Brand Features

Binding Post QuickPort Connectors provide connectivity for workstation cabling for speaker wire. The connectors snap into any QuickPort housing: flush- and surface-mount outlets, Multimedia Outlet System (with adapter), Decora® Inserts, patch panels, and patch blocks.

### Item Description

Binding Post QuickPort Connector, Black Stripe, Brown Housing

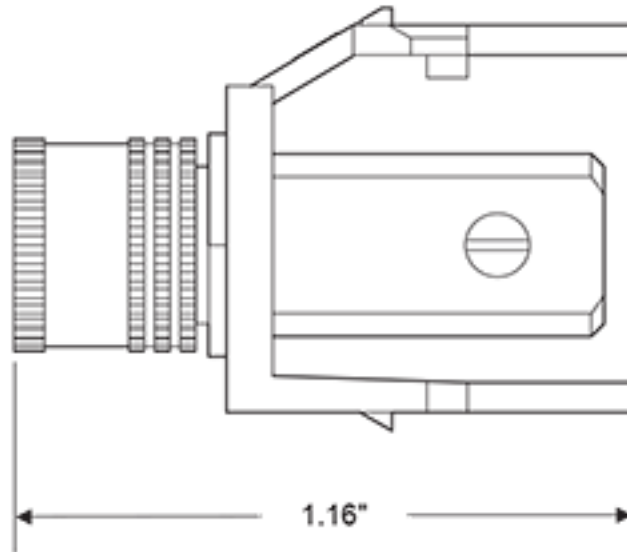
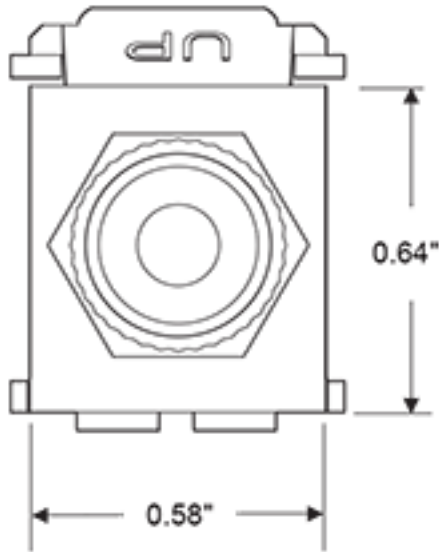


### Features and Benefits

- Compatible with Banana Jack connectors
- Compatible with all QuickPort wallplates, housings, and panels
- Available in a variety of colors to match housings or wallplates
- Screw Terminal

UPC Code: 07847728263

Country of Origin: China



### SPECIFICATION SUBMITTAL

JOB NAME: <input type="text"/> JOB NUMBER: <input type="text"/>	CATALOG NUMBERS: <input type="text"/> <input type="text"/> <input type="text"/> <input type="text"/>
--	---

**Leviton Manufacturing Co., Inc.**

201 North Service Road, Melville, NY 11747

Telephone: 1-800-323-8920 · FAX: 1-800-832-9538 · Tech Line (8:30AM-7:30PM E.S.T. Monday-Friday): 1-800-824-3005

**Leviton Manufacturing of Canada, Ltd.**

165 Hymus Boulevard, Pointe Claire, Quebec H9R 1E9 · Telephone: 1-800-469-7890 ·

FAX: 1-800-824-3005 · [www.leviton.com/canada](http://www.leviton.com/canada)

**Leviton S. de R.L. de C.V.**

Lago Tana 43, Mexico DF, Mexico CP 11290 · Tel.: (+52)55-5082-1040 · FAX: (+52)5386-1797 · [www.leviton.com.mx](http://www.leviton.com.mx)

**Visit our Website at: [www.leviton.com](http://www.leviton.com)**

© 2012-2015 Leviton Manufacturing Co., Inc. All rights reserved. Subject to change without notice.

**Leviton has a global presence.**

If you would like to know where your local Leviton office is located please go to: [www.leviton.com/international/contacts/](http://www.leviton.com/international/contacts/)

