

REB Series

rotating sliding base

slide-out and rotating equipment base with included cable management accessories for smaller cabinetry and entertainment centers

features:

- Low-profile, slide-out rotating design provides access to component connections
- Provides easy access to rear of home audio and video equipment including DVD players, satellite receivers and amplifiers
- Allows for easy adjustment of wires and cable connections
- Included cable management accessories keep wires neatly organized and easily accessible
- Included Velcro® feet keep stacked components in place
- Two depths accommodate a wide range of components and cabinets
- Attractive black finish for the shelf, low-profile base finished in a durable flat black powder coat
- Locks closed to prevent unintentional movement
- Hardware included



specifications:

Low-profile, rotating sliding base shall be Middle Atlantic Products model # REB(14,18). REB shall have overall depth of (14", 18"). Equipment base shall mount within customer-supplied cabinet or entertainment center using included hardware. Rotating shelf shall slide out and be user configured to rotate up to 60° either right or left. Shelf shall be constructed of ½" particle board with a black melamine finish. Slides shall be constructed of 16-gauge steel. Two front-mounted thumb screws shall lock unit closed to prevent unintentional movement. Product shall include Velcro® feet to hold stacked equipment and a cable management kit for bundling cables and creating an effective service loop. Additional Velcro® strip shall be used to captivate cable bundle above shelf to avoid pinching wires between the shelf and the rear cabinet wall. Rotating sliding base shall have a 75 lb. weight capacity. REB shall be GREENGUARD Gold Certified. REB shall be RoHS EU Directive 2002/95/EC compliant. REB shall be manufactured by an ISO 9001 and ISO 14001 registered company. REB rotating sliding base shall be warranted to be free from defects in material or workmanship under normal use and conditions for a period of three years.

Customizable specification clips available at middleatlantic.com



PRODUCT CERTIFIED FOR
LOW CHEMICAL EMISSIONS
UL.COM/GG
UL 2818

what **great systems** are built on.™

A Group brand | **legrand**

Middle Atlantic Products

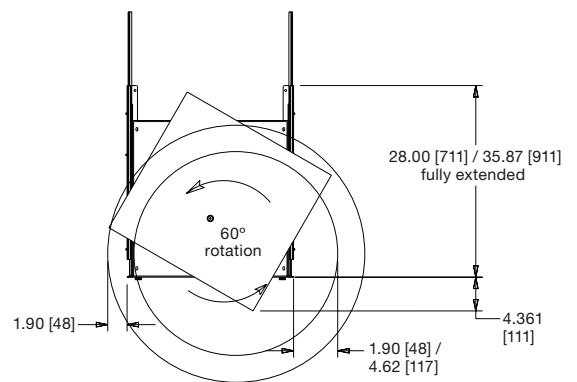
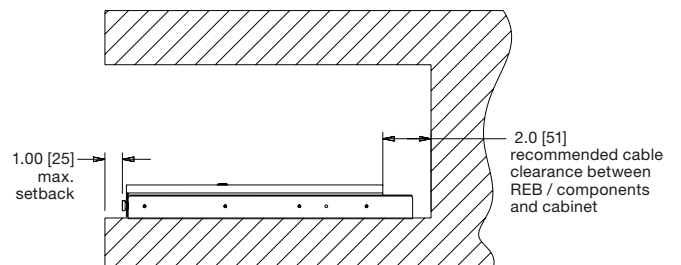
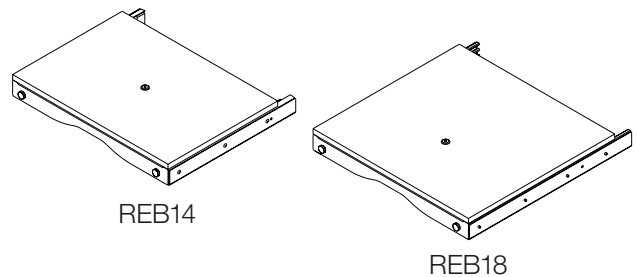
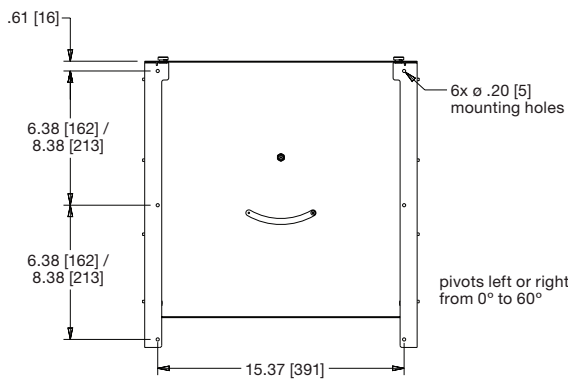
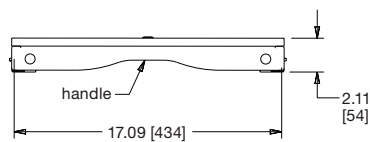
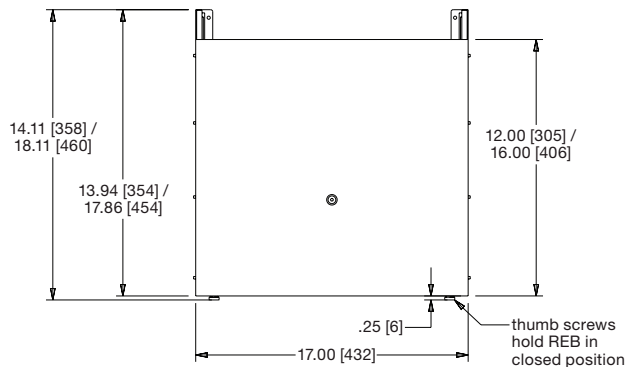
middleatlantic.com | middleatlantic.ca

96-01064 / rev b / 7-21-14

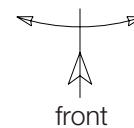
REB Series

basic dimensions

all dimensions in inches unless otherwise noted [all dimensions in brackets are in millimeters]



shown fully extended and rotated 60°



Note: Some dimensions given in the form of REB14 / REB18

Part #	Minimum Rough Opening Width*	Minimum Recommended Rough Opening Depth**	Weight Capacity	Useable Depth	
				With No Setback	With 1.0 [25] Setback
REB14	17.13* [435]	15.00** [381]	75 lbs. [34kg.]	13.00 [330]	12.00 [305]
REB18	17.13* [435]	19.00** [483]	75 lbs. [34kg.]	17.00 [432]	16.00 [406]

* Rough opening width may vary due to width of components
 ** Rough opening depth may vary due to depth of components