



Middle Atlantic Products

EXCEPTIONAL SUPPORT & PROTECTION™

Quiet-Cool Series Component Cooler



Powerful and quiet way to remove heat from system components on open shelving or in racks

Features

- Extends equipment life
- 8 CFM and 50 CFM models available
- Designed to pull hot air up out of a component and direct it where desired
- Standalone (8 CFM and 50 CFM) and Platform (50 CFM) models available
- Fan activates automatically at 87°F/30.5°C, turns off at 85°F/29°C



COMP-COOL50P

COMP-COOL50



includes power supply



COMP-COOL50P shown installed



COMP-COOL50 shown installed

Architects' and Engineers' Specifications

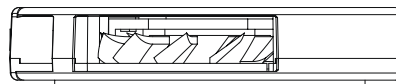
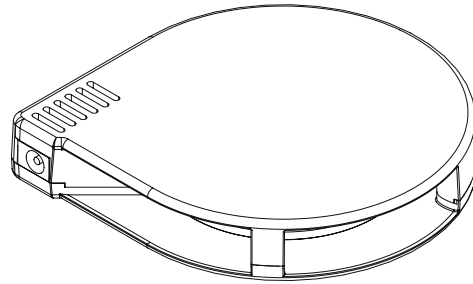
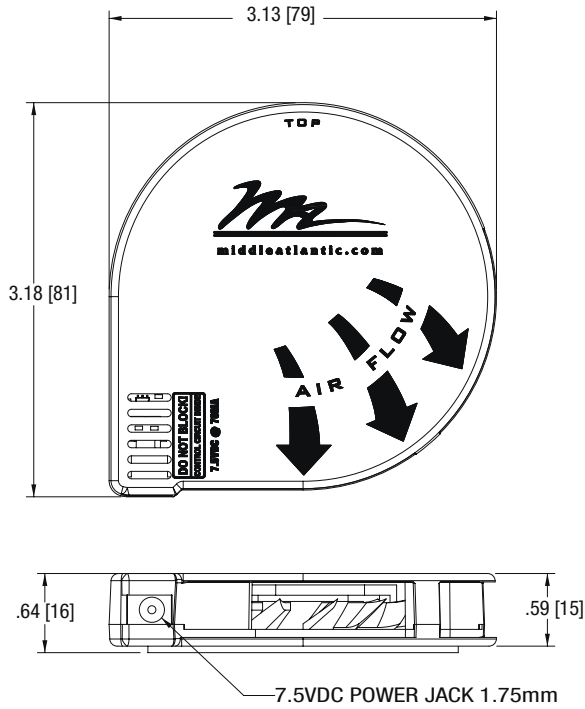
Component Cooler shall be Middle Atlantic Products model # (I)COMP-COOL___ (See chart). Component Cooler shall have a black finish. Component Cooler shall activate at 87°F (30.5°C), and switch off at 85°F (29.4°C). Component Cooler shall displace ___ (8, 50) CFM with maximum decibel level of ___ (19, 24, 29) dB (measurements made 1 meter from source, centered horizontally and vertically). Component Cooler shall include ___ (1, 3) fans, and one fan controller/temperature sensor. Component Cooler shall be ___ (Standalone, Platform, see chart.) Platform model shall be capable of being rotated in 90° increments. Component Cooler shall be GREENGUARD Indoor Air

Quality Certified for Children and Schools. Component Cooler shall meet the material requirements of the RoHS Directive. Component Cooler shall be manufactured by an ISO 9001 and ISO 14001 registered company. Component Cooler shall be warranted to be free from defects in materials and workmanship under normal use and conditions for a period of 3 years. Component Cooler shall include a UL Listed 12V DC power supply and temperature probe with a 9' cord.

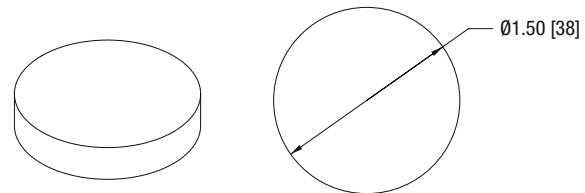
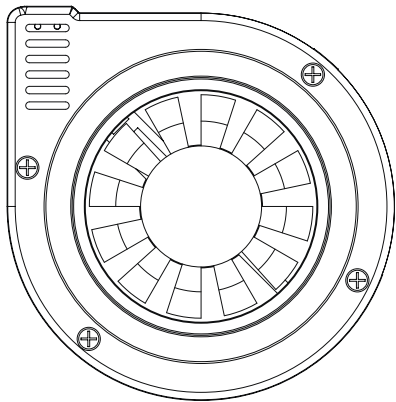
CUSTOMIZABLE SPECIFICATION CLIPS AVAILABLE AT MIDDLEATLANTIC.COM

Quiet-Cool Series Component Cooler basic dimensions

All dimensions in inches unless otherwise noted [All dimensions in brackets are in millimeters]



ADHESIVE BACKED VIBRATION DAMPENER/MOUNTING DISK



ADHESIVE BACKED FOOT
SCALE 1/1



ADHESIVE BACKED

Notes:

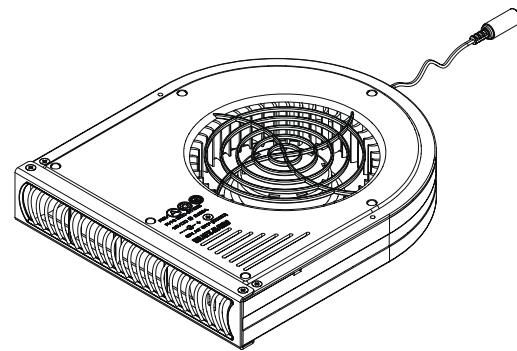
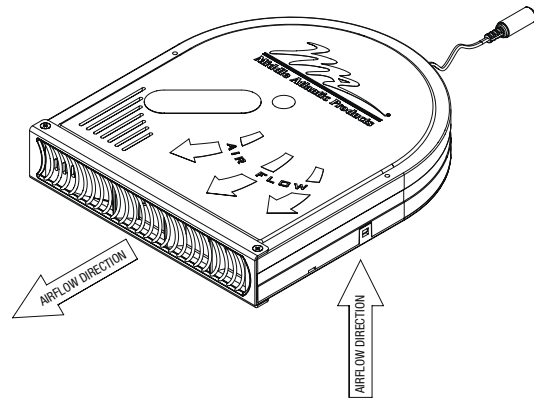
1. Power requirements, CFM, and dBA listed are values for the system as a whole
2. Power supply cable length: 72 [1829]
3. Jumper cord length: 36 [914]

Model #	Power Requirements	CFM	dBA@ 1 meter	Jumper Cord Qty	Power Supply Qty	Adhesive Backed Foot Qty
COMP-COOL	7.5 VDC @ 70mA	8	19	N/A	1	8
COMP-COOL-E	7.5 VDC @ 70mA	8	19	1	N/A	8
COMP-COOL-3	7.5 VDC @ 210mA	24	24	2	1	24

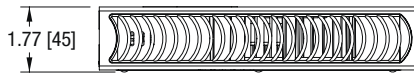
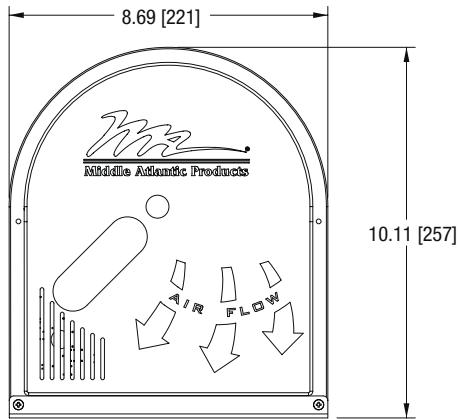


Quiet-Cool Series Component Cooler 50 CFM basic dimensions

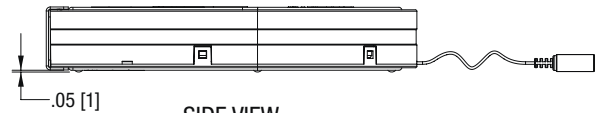
All dimensions in inches unless otherwise noted [All dimensions in brackets are in millimeters]



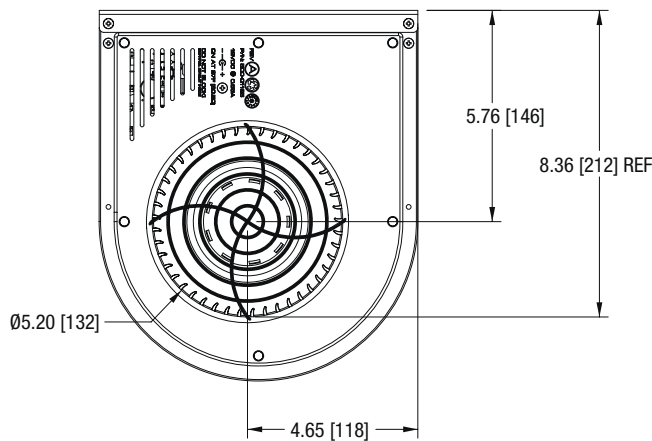
TOP VIEW



FRONT VIEW



SIDE VIEW



BOTTOM VIEW

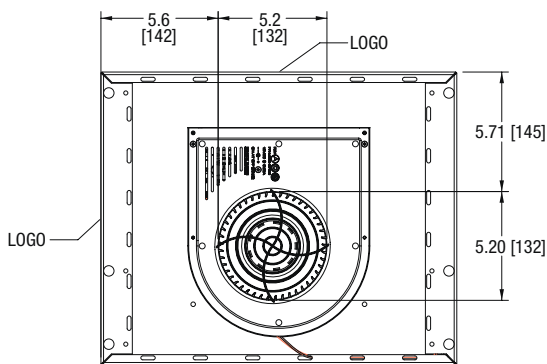
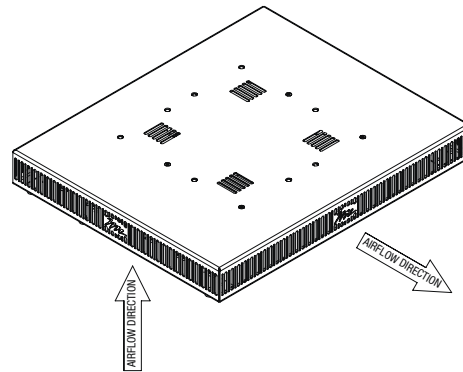
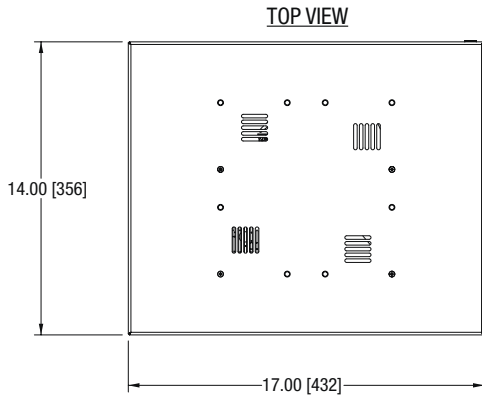
Notes:

- Fan specifications
 Airflow: 50 CFM [1.4 M³/min]
 Current draw: 550mA @ 12 VDC
 Sound level: 29 dBA @ 1 M
 Static pressure: 0.31 In H₂O [77.22 Pa]
 Turn on: 87°F [30.5°C]
 Turn off: 85°F [29.4°C]
- COMP-COOL50 shown. International model, ICOMP-COOL50, comes with an universal voltage plug-in power supply and adapters.

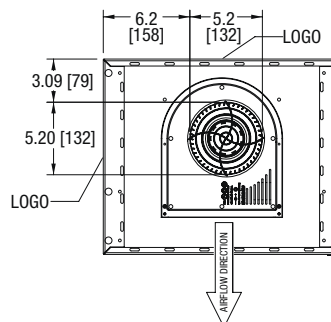
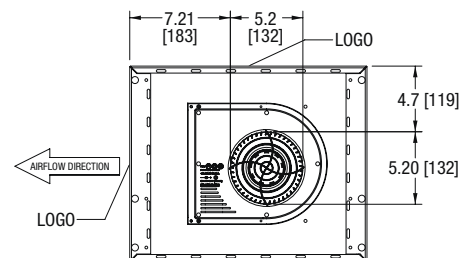
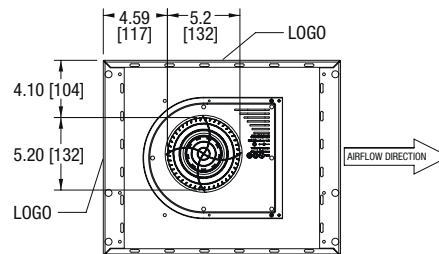


Quiet-Cool Series Platform Component Cooler basic dimensions

All dimensions in inches unless otherwise noted [All dimensions in brackets are in millimeters]



ALTERNATE ORIENTATION POSSIBILITIES (MAP LOGO ALWAYS DICTATES FRONT)



Notes:

- Fan specifications
 - Airflow: 50 CFM [1.4 M³/min]
 - Current draw: 550mA @ 12 VDC
 - Sound level: 29 dBA @ 1 M
 - Static pressure: 0.31 In H₂O [77.22 Pa]
 - Turn on: 87°F [30.5°C]
 - Turn off: 85°F [29.4°C]
- WEIGHT CAPACITY: 150 LBS [68KG]
- COMP-COOL50P shown. International model, ICOMP-COOL50P, comes with an universal voltage plug-in power supply and adapters.

