


**Middle Atlantic Products**

EXCEPTIONAL SUPPORT &amp; PROTECTION™

# AXS System For Steel Racks



US Patent # 5, 185, 818

**SEISMIC CERTIFIED**
**EIA/TIA Compliant**

Assembled in modified MRK, WRK-SA or ERK enclosures, our AXS system for steel racks allows equipment bays to be placed against walls or back-to-back, solving the challenge posed by space-limiting environments and saving six square feet of floor space per rack!

## Features

- Simplifies cabinet installation
- Shortens installation and service time
- Various sizes available - see chart on page 2
- Available with 20" and 26" frame depths (front to rear rail)
- Articulating cable carriers provide effective cable management
- Rough-in pan pre-installed
- Service tracks and leveler are both quick and simple to use
- Gangable when purchased with MRK series gangable racks
- Ball bearings allow the rack frame to roll out effortlessly
- 650 lb. capacity with proper weight distribution
- AXS systems installed in MRK series are seismic certified (when used with included MRK-Z4) with an Ip value of 1.5



MRK-4426AXS shown in service position

### Also available



WR Series rotating roll-out enclosure, does not require tracks or stands for servicing, please see A&E specification # 96-01005

## Architects' and Engineers' Specifications

Patented EIA compliant 19" slide-out equipment rack shall be Middle Atlantic Products model # \_\_\_ (refer to chart). Rack shall consist of outer frame with internal roll-out equipment rack. External frame dimensions shall be \_\_\_" H x \_\_\_" W x \_\_\_" D (refer to chart). Useable rack height shall be \_\_\_ rackspace (refer to chart), useable depth shall be \_\_\_" (20, 26, refer to chart). Entire rack assembly shall have a weight capacity of 650 lbs. External frame shall be constructed of 16-gauge steel with black powder coat finish. Internal frame shall be constructed of 13-gauge steel with black powder coat and 11-gauge steel rackrail with tapped 10-32 mounting holes in universal EIA spacing with black e-coat finish and marked rackspace. Top and bottom trim panels shall be 11-gauge black brushed and anodized aluminum. Rack top shall have openings to accept up to 2 fans, model # AXS-FAN (one fan) or AXS-FAN-K (two fans). Cable carrier shall be constructed of the following materials: cable carrier and lower hinges shall be constructed of 16-gauge steel, center hinge shall be constructed of 10-gauge steel, cable carrier shall be finished in black powder coat. Specified MRK AXS Series enclosures shall satisfy the 2007 & 2010 CBC; 2006, 2009 & 2012 IBC; ASCE 7-05 (2005 Edition) & ASCE 7-10 (2010 Edition) and the 2006 & 2009 editions of NFPA 5000 for use in areas of high seismicity, Seismic Use Group III, Zone 4 or Seismic Design Category (SDC) "D" with lateral force requirements for protecting 520 lbs. of essential equipment in

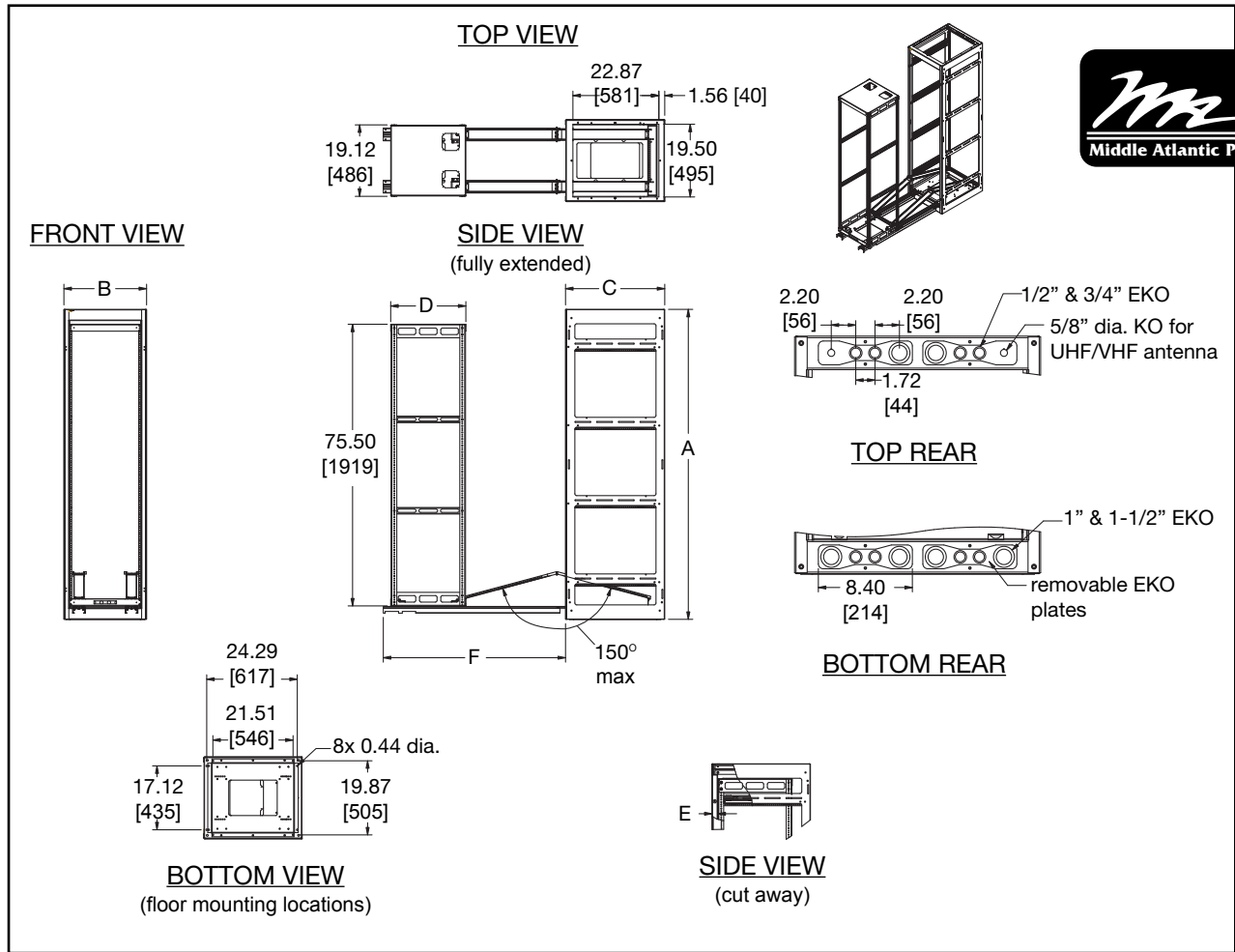
locations with the highest level of seismicity and top floor or rooftop installations with an Importance factor (Ip) of 1.5 when used with the included (MRK-Z4) seismic floor anchor bracket. Service tracks shall be constructed of 13-gauge steel, model # TRACK50. Adjustable track leveler shall be model # TRACKL and shall level service tracks for equipment roll out and servicing. Slide-out equipment rack shall be GREENGUARD Indoor Air Quality Certified for Children and Schools. Slide-out equipment rack shall be RoHS EU Directive 2002 / 95 / EC compliant. Slide-out equipment rack shall be manufactured by an ISO 9001 and ISO 14001 registered company. Slide-out equipment rack shall be warranted to be free from defects in material or workmanship for a period of 3 years.

### OPTIONS

- Optional slim fan shall be model # AXS-FAN. Kit with 2 fans shall be model # AXS-FAN-K
- Optional 20" and 26" full-depth front and rear mount AXS rackshelf shall be model # SH-5A (20"), SH-5A-26 (26")
- Optional cable management tray shall be model # AXS-WT50

**CUSTOMIZABLE SPECIFICATION CLIPS AVAILABLE AT MIDDLEATLANTIC.COM**

# Specifications for AXS System



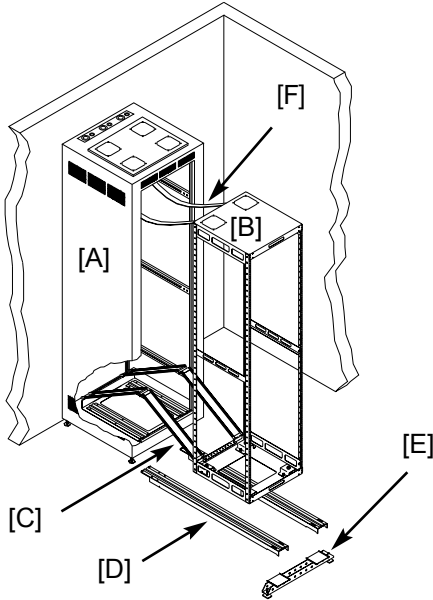
All dimensions in inches unless otherwise noted [Bracketed dimensions in millimeters]

Part #	USEABLE RACKING HEIGHT	A OVERALL HEIGHT	B OVERALL WIDTH	C OVERALL DEPTH	D FRAME DEPTH	E MINIMUM RAIL SETBACK	F FRAME ROLL OUT*	SEISMIC CERTIFIED
MRK-4426AXS	41	83.125 [2111]	22.00 [559]**	26.40 [671]	20.00 [508]	1.50 [38]	47.50 [1207] to 48.50 [1232]	NO
MRK-4026AXS	37	76.125 [1934]	22.00 [559]**	26.40 [671]	20.00 [508]	1.50 [38]	47.50 [1207] to 48.50 [1232]	NO
MRK-3726AXS	34	70.875 [1800]	22.00 [559]**	26.40 [671]	20.00 [508]	1.50 [38]	47.50 [1207] to 48.50 [1232]	NO
MRK-4426AXS-Z4	41	83.125 [2111]	22.00 [559]**	26.40 [671]	20.00 [508]	1.50 [38]	47.50 [1207] to 48.50 [1232]	YES
MRK-4026AXS-Z4	37	76.125 [1934]	22.00 [559]**	26.40 [671]	20.00 [508]	1.50 [38]	47.50 [1207] to 48.50 [1232]	YES
MRK-3726AXS-Z4	34	70.875 [1800]	22.00 [559]**	26.40 [671]	20.00 [508]	1.50 [38]	47.50 [1207] to 48.50 [1232]	YES
MRK-4431AXS-26	41	83.125 [2111]	22.00 [559]**	31.40 [798]	26.00 [660]	1.50 [38]	47.50 [1207] to 48.50 [1232]	NO
MRK-4031AXS-26	37	76.125 [1934]	22.00 [559]**	31.40 [798]	26.00 [660]	1.50 [38]	47.50 [1207] to 48.50 [1232]	NO
MRK-3731AXS-26	34	70.875 [1800]	22.00 [559]**	31.40 [798]	26.00 [660]	1.50 [38]	47.50 [1207] to 48.50 [1232]	NO
WRK-44SA-27AXS	41	83.125 [2111]	24.25 [616]	27.50 [699]	20.00 [508]	.75 [19]	47.50 [1207] to 49.25 [1251]	NO
WRK-44SA-32AXS-26	41	83.125 [2111]	24.25 [616]	32.50 [826]	26.00 [660]	.75 [19]	47.50 [1207] to 49.25 [1251]	NO
ERK-4425AXS	41	81.125 [2061]	22.00 [559]	25.00 [635]	20.00 [508]	.625 [16]	47.50 [1207] to 49.37 [1254]	NO
ERK-3525AXS	32	65.375 [1661]	22.00 [559]	25.00 [635]	20.00 [508]	.625 [16]	47.50 [1207] to 49.37 [1254]	NO

\* This is the stock setback from the factory, for special knob clearance requirements for the front doors, please call.

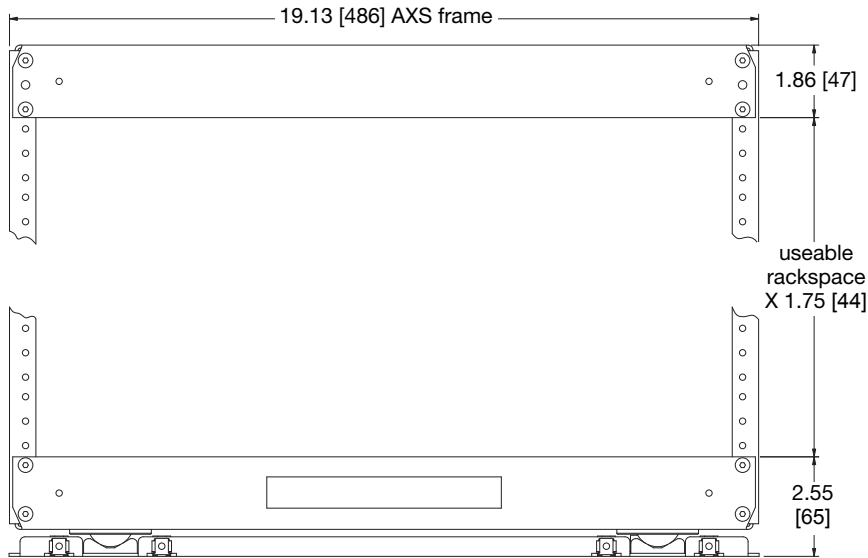
\*\* Side panels add .625" (16mm) to each side where applicable.

## EXPLODED VIEW (Extended with service stand)



- [A] WRK-SA, MRK, or ERK enclosure
- [B] Detachable rack frame
- [C] Articulating cable carriers
- [D] Service tracks
- [E] Track leveler
- [F] Restraining Straps

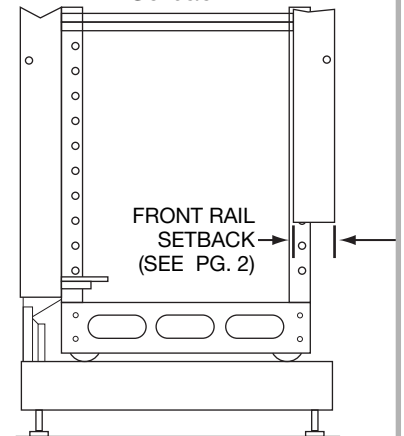
## FRONT VIEW (AXS inner frame)



All dimensions in inches unless otherwise noted  
[Bracketed dimensions in millimeters]



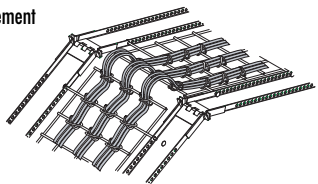
## Setback



**NOTE:**  
To calculate rail to door clearance, use the numbers in the chart on the previous page in conjunction with the door clearance found in the host cabinet's A&E Specification sheet.

## AXS Cable Carrier

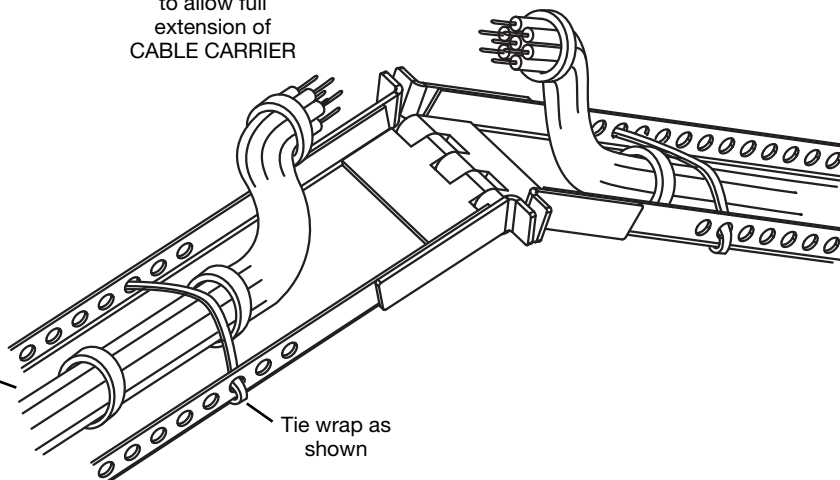
Optional cable management tray is available to handle large cable bundles, part # AXS-WT50



Service loop at center to allow full extension of CABLE CARRIER

Bundle wrap as shown

Tie wrap as shown



## Also available from Middle Atlantic Products

WR Series rotating roll-out enclosure, does not require tracks or stands for servicing, please see A&E specification # 96-01005.



AXS System for millwork and in-wall installations, please see A&E specification # 96-055M.

