



CHATSWORTH PRODUCTS, INC.

Optimize.
Store.
Secure.



Cable Management



Double-Sided
Version Shown



Single-Sided
Version Shown



Double-Sided
Version Shown



Double-Sided
Version Shown



Evolution Horizontal
Cable Manager



Velocity Horizontal
Cable Manager

Evolution® Cable Management

Velocity™ Cable Management

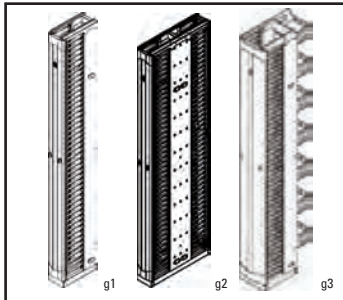
MCS Master Cabling Section

VCS Vertical Cabling Section

CCS Combination Cabling Section

Horizontal Cable Managers

<p>Applications: Network facilities and data center computer rooms</p>	<p>Applications: Network facilities</p>	<p>Applications: Network facilities and data center computer rooms</p>	<p>Applications: Network facilities</p>	<p>Applications: Network facilities</p>	<p>Applications: Network facilities and data center computer rooms</p>
<p>Key Features:</p> <ul style="list-style-type: none"> • Closed, single or double-sided and combination vertical cable management • T-shaped cable fingers with rounded edges organize cables • Cable openings align with each rack-mount unit on the rack and pass 48 patch cords • Double-sided versions have Movable Mid-Sections allowing a 40/60, 50/50 or 60/40 front/rear split of the interior storage space • Includes a removable, hinged door with a two-point latch and single door knob • Front door style matches the TeraFrame® Family of Cabinets 	<p>Key Features:</p> <ul style="list-style-type: none"> • Closed, single or double-sided vertical cable management • T-shaped cable fingers with rounded edges organize cables • Cable openings align with each rack-mount unit on the rack and pass 24 patch cords • Includes removable, hinged snap-on covers • Ships unassembled in compact packaging for easy shipping, handling and storage • Tool-less snap-together design for quick and easy assembly 	<p>Key Features:</p> <ul style="list-style-type: none"> • Closed, single or double-sided vertical cable management • T-shaped cable fingers with rounded edges organize cables • Cable openings align with each rack-mount unit on the rack and pass 24 patch cords • Includes removable, hinged latch-closure door(s) • Available with standard (MCS) and deeper extended fingers (MCS-EFX) 	<p>Key Features:</p> <ul style="list-style-type: none"> • Open, single or double-sided vertical cable management • Large side openings are edge protected • Spin-latch closures secure cables • Covers and snap-on T-Shaped Finger Snaps Cable Guides are available as accessories 	<p>Key Features:</p> <ul style="list-style-type: none"> • Combination, double-sided vertical cable management • MCS-style front side and VCS-style back side • Front side includes a removable, hinged latch-closure door • T-shaped cable fingers with rounded edges organize cables • Cable openings align with each rack-mount unit on the rack and pass 24 patch cords • Back side has edge protected openings and spin-latch closures • Available with standard (CCS) and deeper extended fingers (CCS-EFX) 	<p>Key Features:</p> <ul style="list-style-type: none"> • Open Ring-style or closed, trough-style, single-sided 19" EIA rack-mount cable managers • Various styles to match vertical cable managers • Use above and below patch panels and network switches • Provides a side-to-side pathway for patch cords • Closed trough-style managers include removable, hinged snap-on cover(s)
<p>Width (5):</p> <ul style="list-style-type: none"> • 6" (150 mm) • 8" (200 mm) • 10" (250 mm) • 12" (300 mm) • 15" (380 mm) 	<p>Width (4):</p> <ul style="list-style-type: none"> • 3.6" (92 mm) • 6" (150 mm) • 10" (250 mm) • 12" (300 mm) 	<p>Width (4):</p> <ul style="list-style-type: none"> • 4.4" (112 mm) • 6" (150 mm)* • 10" (250 mm)* • 12" (300 mm)* 	<p>Width (2):</p> <ul style="list-style-type: none"> • 3.65" (92.7 mm) • 6" (150 mm) 	<p>Width (4):</p> <ul style="list-style-type: none"> • 3.65" (92.7 mm) • 6" (150 mm)* • 10" (250 mm)* • 12" (300 mm)* 	<p>Width (2):</p> <ul style="list-style-type: none"> • 19" EIA
<p>Height (3):</p> <ul style="list-style-type: none"> • 6'0" (1.8 m) • 7'0" (2.1 m) • 8'0" (2.4 m) 	<p>Height (3):</p> <ul style="list-style-type: none"> • 70" (1778 mm) for 6'H (1.8 m) racks • 80.5 (2045 mm) for 7'H (2.1 m) racks • 91" (2311 mm) for 8'H (2.4 m) racks 	<p>Height (7):</p> <ul style="list-style-type: none"> • 5'6" (1.7 m) • 6'0" (1.8 m) • 6'6" (2.0 m) • 7'0" (2.1 m)* • 7'6" (2.3 m)* • 8'0" (2.4 m)* • 9'0" (2.7 m) 	<p>Height (7):</p> <ul style="list-style-type: none"> • 5'6" (1.7 m) • 6'0" (1.8 m) • 6'6" (2.0 m) • 7'0" (2.1 m)* • 7'6" (2.3 m) • 8'0" (2.4 m)* • 9'0" (2.7 m)* 	<p>Height (5):</p> <ul style="list-style-type: none"> • 6'0" (1.8 m) • 7'0" (2.1 m)* • 7'6" (2.3 m)* • 8'0" (2.4 m)* • 9'0" (2.7 m) 	<p>Height (3):</p> <ul style="list-style-type: none"> • 1U • 2U • 3U
<p>Depth (3):</p> <ul style="list-style-type: none"> • 13.2" (335 mm) • 24.5 (622 mm)* • 20.2" (513 mm)* <p><i>*Double-sided versions</i></p>	<p>Depth (2):</p> <ul style="list-style-type: none"> • 9.5" (241 mm) • 16" (406 mm)* <p><i>*Double-sided version</i></p>	<p>Depth (4):</p> <ul style="list-style-type: none"> • 8.08" (205.2 mm) • 10.62" (269.7 mm)* • 16.15" (410.2 mm) • 21.23" (539.2 mm)* <p><i>*MCS-EFX versions</i></p>	<p>Depth (2):</p> <ul style="list-style-type: none"> • 6.38" (162.1 mm) • 12.75" (323.9 mm)* <p><i>* Double-sided versions</i></p>	<p>Depth (3):</p> <ul style="list-style-type: none"> • 12.24" (310.9 mm) • 14.61" (371.1 mm) • 14.94" (379.5 mm)* <p><i>*CCS-EFX versions</i></p>	<p>Depth (6):</p> <ul style="list-style-type: none"> • 4.9" (126 mm) • 5.1" (130 mm) • 5.9" (150 mm) • 6.2" (159 mm) • 6.4" (163 mm) • 8.2" (208 mm)
<p>Construction:</p> <ul style="list-style-type: none"> • Riveted and welded, steel and plastic 	<p>Construction:</p> <ul style="list-style-type: none"> • Snap-together, steel and plastic 	<p>Construction:</p> <ul style="list-style-type: none"> • Riveted and bolted, aluminum and plastic 	<p>Construction:</p> <ul style="list-style-type: none"> • Riveted and bolted, aluminum and plastic 	<p>Construction:</p> <ul style="list-style-type: none"> • Riveted and bolted, aluminum and plastic 	<p>Construction:</p> <ul style="list-style-type: none"> • Riveted aluminum and plastic • Molded plastic



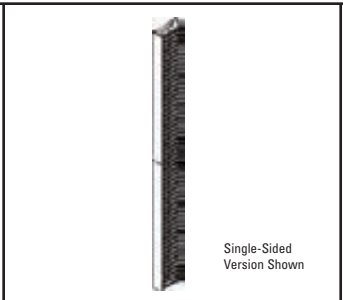
Evolution® Cable Management

Evolution g1 Single-Sided, Vertical		
Part No.	Description	Wt.
35511-703	7"H x 6"W x 13.2"D 2.1 m x 150 mm x 335 mm	57 lb 25.9 kg
35512-703	7"H x 8"W x 13.2"D 2.1 m x 200 mm x 335 mm	61 lb 27.7 kg
35513-703	7"H x 10"W x 13.2"D 2.1 m x 250 mm x 335 mm	67 lb 30.4 kg
35514-703	7"H x 12"W x 13.2"D 2.1 m x 300 mm x 335 mm	73 lb 33.1 kg
35515-703	7"H x 15"W x 13.2"D 2.1 m x 380 mm x 335 mm	83 lb 37.6 kg

Evolution g2 Double-Sided, Vertical		
Part No.	Description	Wt.
35521-703	7"H x 6"W x 24.5"D 2.1 m x 150 mm x 622 mm	94 lb 42.6 kg
35522-703	7"H x 8"W x 24.5"D 2.1 m x 200 mm x 622 mm	101 lb 45.8 kg
35523-703	7"H x 10"W x 24.5"D 2.1 m x 250 mm x 622 mm	110 lb 49.9 kg
35524-703	7"H x 12"W x 24.5"D 2.1 m x 300 mm x 622 mm	118 lb 53.5 kg
35525-703	7"H x 15"W x 24.5"D 2.1 m x 380 mm x 622 mm	129 lb 58.5 kg

Evolution g3 Combination, Vertical		
Part No.	Description	Wt.
35571-703	7"H x 6"W x 20.2"D 2.1 m x 150 mm x 513 mm	68 lb 30.8 kg
35572-703	7"H x 8"W x 20.2"D 2.1 m x 200 mm x 513 mm	72 lb 32.7 kg
35573-703	7"H x 10"W x 20.2"D 2.1 m x 250 mm x 513 mm	78 lb 35.4 kg
35574-703	7"H x 12"W x 20.2"D 2.1 m x 300 mm x 513 mm	84 lb 38.1 kg
35575-703	7"H x 15"W x 20.2"D 2.1 m x 380 mm x 513 mm	94 lb 42.6 kg

Note: Cable Spools are included with 10"W, 12"W or 15"W (250 mm, 300 mm or 380 mm) Cable Managers. Color is black.

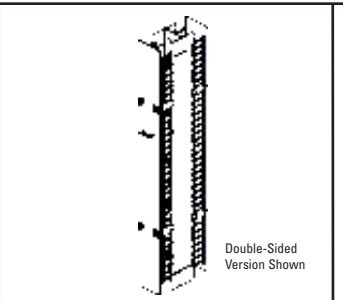


Velocity™ Cable Management

Part No.	Description	Wt.
13901-703	80.5"H x 3.6"W x 9.7"D 2045 mm x 91 mm x 246 mm Single-Sided, Black	18 lb 8.2 kg
13902-703	80.5"H x 6"W x 9.8"D 2045 mm x 152 mm x 249 mm Single-Sided, Black	20 lb 9.1 kg
13904-703	80.5"H x 10"W x 10.3"D 2045 mm x 254 mm x 262 mm Single-Sided, Black	32 lb 14.5 kg
13905-703	80.5"H x 12"W x 10.4"D 2045 mm x 305 mm x 264 mm Single-Sided, Black	34 lb 15.4 kg
13911-703	80.5"H x 3.6"W x 16.4"D 2045 mm x 91 mm x 417 mm Double-Sided, Black	25 lb 11.3 kg
13912-703	80.5"H x 6"W x 16.6"D 2045 mm x 152 mm x 422 mm Double-Sided, Black	28 lb 12.7 kg
13914-703	80.5"H x 10"W x 17.5"D 2045 mm x 254 mm x 445 mm Double-Sided, Black	40 lb 18.1 kg
13915-703	80.5"H x 12"W x 17.8"D 2045 mm x 305 mm x 446 mm Double-Sided, Black	43 lb 19.5 kg

Key Accessories		
Part No.	Description	Wt.
13935-701	Cable Spool Kit 2" Dia (51 mm) x 6"L (150 mm) Set of 4, Black	2 lb 0.9 kg
13928-001	Cable Lashing Bar Kit for 6"W (150 mm) or wider Velocity Cable Managers, Zinc	2 lb 0.9 kg
13934-717	Cable Ring Kit, 3.6" (91 mm) wide, for P/N 13901-703, Black	3 lb 1.4 kg
13934-727	Cable Ring Kit, 6" (152 mm) wide, for P/N 13902-703, Black	11 lb 5.0 kg
13934-747	Cable Ring Kit, 10" (254 mm) wide, for P/N 13904-703, Black	14 lb 6.4 kg
13934-757	Cable Ring Kit, 12" (305 mm) wide, for P/N 13905-703, Black	16 lb 7.3 kg

Note: Use vertical managers on 7"H (2.1 m) racks. Cable Spools are for 6"W (152 mm) or wider vertical managers.



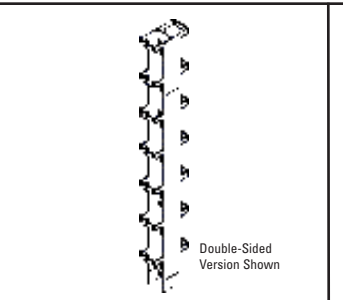
MCS Master Cabling Section

Part No.	Description	Wt.
30091-703	7"H x 4.4"W x 8.08"D 2.1 m x 112 mm x 205.2 mm Single-Sided, Black	17 lb 7.7 kg
30092-703	7"H x 6"W x 8.08"D 2.1 m x 150 mm x 205.2 mm Single-Sided, Black	20 lb 9.1 kg
30093-703	7"H x 10"W x 8.08"D 2.1 m x 250 mm x 205.2 mm Single-Sided, Black	45 lb 20.4 kg
30094-703	7"H x 4.4"W x 16.15"D 2.1 m x 112 mm x 410.2 mm Double-Sided, Black	40 lb 18.1 kg
30095-703	7"H x 6"W x 16.15"D 2.1 m x 150 mm x 410.2 mm Double-Sided, Black	45 lb 20.4 kg
30096-703	7"H x 10"W x 16.15"D 2.1 m x 250 mm x 410.2 mm Double-Sided, Black	53 lb 24 kg

MCS - EFX Extended Fingers		
Part No.	Description	Wt.
40092-703	7"H x 6"W x 10.62"D 2.1 m x 150 mm x 269.7 mm Single-Sided, Black	31 lb 14.1 kg
40093-703	7"H x 10"W x 10.62"D 2.1 m x 250 mm x 269.7 mm Single-Sided, Black	40 lb 18.1 kg
40094-703	7"H x 12"W x 10.62"D 2.1 m x 300 mm x 269.7 mm Single-Sided, Black	44 lb 20 kg
40095-703	7"H x 6"W x 21.23"D 2.1 m x 150 mm x 539.2 mm Double-Sided, Black	56 lb 25.4 kg
40096-703	7"H x 10"W x 21.23"D 2.1 m x 250 mm x 539.2 mm Double-Sided, Black	69 lb 31.3 kg
40097-703	7"H x 12"W x 21.23"D 2.1 m x 300 mm x 539.2 mm Double-Sided, Black	75 lb 34 kg

Note: Cable Spools are included with double-sided 10"W or 12"W (250 mm or 300 mm) MCS.

**See CPI cable fill table at
www.chatsworth.com/cablefill
for all cable managers.**



VCS Vertical Cabling Section

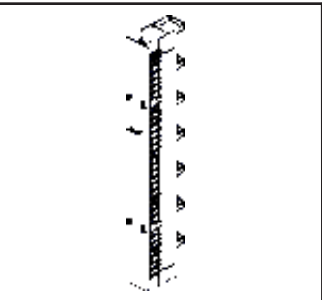
Part No.	Description	Wt.
11730-703	7"H x 3.65"W x 6.38"D 2.1 m x 92.7 mm x 162.1 mm Single-Sided, Black	14 lb 6.4 kg
11374-703	7"H x 6"W x 6.38"D 2.1 m x 150 mm x 162.1 mm Single-Sided, Black	16 lb 7.3 kg
12096-703	7"H x 3.65"W x 12.75"D 2.1 m x 92.7 mm x 323.9 mm Double-Sided, Black	24.0 lb 10.9 kg
11729-703	7"H x 6"W x 12.75"D 2.1 m x 150 mm x 323.9 mm Double-Sided, Black	30 lb 13.6 kg

Contact Tech Support at 800-834-4969 for additional options.

Key Accessories		
Part No.	Description	Wt.
12189-001	3.65"W (92.7 mm) Cover Smoked Acrylic	8 lb 3.6 kg
12188-001	6"W (150 mm) Cover Smoked Acrylic	9 lb 4.1 kg
12370-001	Finger Snaps Set of 2, Black	1 lb 0.5 kg
12370-002	Finger Snaps Set of 12, Black	2 lb 0.9 kg

Key Accessories		
Part No.	Description	Wt.
15008-001	Cable Spools 2.5"Dia (64 mm) Set of 4, Black*	2 lb 0.9 kg
12370-001	Finger Snaps Set of 2, Black	1 lb 0.5 kg
12370-002	Finger Snaps Set of 12, Black	2 lb 0.9 kg

*Note: Cable Spools are for 10"W or 12"W (250 mm or 300 mm) CCS or CCS-EFX.



CCS Combination Cabling Section

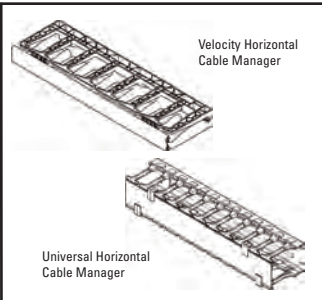
Part No.	Description	Wt.
30161-703	7"H x 3.65"W x 12.24"D 2.1 m x 92.7 mm x 310.9 mm Double-Sided, Black	29 lb 13.2 kg
30162-703	7"H x 6"W x 12.24"D 2.1 m x 150 mm x 310.9 mm Double-Sided, Black	34 lb 15.4 kg
30163-703	7"H x 10"W x 12.24"D 2.1 m x 250 mm x 310.9 mm Double-Sided, Black	46 lb 20.9 kg
30164-703*	7"H x 3.65"W x 14.61"D 2.1 m x 92.7 mm x 371.1 mm Double-Sided, Black	33 lb 15 kg
30165-703*	7"H x 6"W x 14.61"D 2.1 m x 150 mm x 371.1 mm Double-Sided, Black	38 lb 17.2 kg
30166-703*	7"H x 10"W x 14.61"D 2.1 m x 250 mm x 371.1 mm Double-Sided, Black	49 lb 22.2 kg

*Note: Use with 6"D (150 mm) Standard Rack

CCS-EFX Extended Fingers		
Part No.	Description	Wt.
40098-703	7"H x 6"W x 14.94"D 2.1 m x 150 mm x 379.5 mm Double-Sided, Black	38 lb 17.2 kg
40099-703	7"H x 10"W x 14.94"D 2.1 m x 250 mm x 379.5 mm Double-Sided, Black	52 lb 23.6 kg
40100-703	7"H x 12"W x 14.94D 2.1 m x 300 mm x 379.5 mm Double-Sided, Black	56 lb 25.4 kg

Key Accessories		
Part No.	Description	Wt.
15008-001	Cable Spools 2.5"Dia (64 mm) Set of 4, Black*	2 lb 0.9 kg
12370-001	Finger Snaps Set of 2, Black	1 lb 0.5 kg
12370-002	Finger Snaps Set of 12, Black	2 lb 0.9 kg

*Note: Cable Spools are for 10"W or 12"W (250 mm or 300 mm) CCS or CCS-EFX.



Horizontal Cable Managers

Evolution® Horizontal Cable Manager		
Part No.	Description	Wt.
35441-701	1U x 19"EIA x 8.2"D (208 mm), Black	4 lb 1.8 kg
35441-702	2U x 19"EIA x 8.2"D (208 mm), Black	5 lb 2.3 kg
35441-703	3U x 19"EIA x 8.2"D (208 mm), Black	6 lb 2.7 kg

Velocity Horizontal Cable Manager		
Part No.	Description	Wt.
13930-701	1U x 19"EIA x 5.9"D (150 mm), Black	2 lb 0.9 kg
13930-702	2U x 19"EIA x 5.9"D (150 mm), Black	3 lb 1.4 kg
13930-703	3U x 19"EIA x 5.9"D (150 mm), Black	3 lb 1.4 kg

Universal Horizontal Cable Manager		
Part No.	Description	Wt.
30139-719	1U x 19"EIA x 4.9"D (126 mm), Black	2 lb 0.9 kg
30130-719	2U x 19"EIA x 5.1"D (130 mm), Black	3 lb 1.4 kg
30131-719	3U x 19"EIA x 5.1"D (130 mm), Black	4 lb 1.8 kg
30339-719*	1U x 19"EIA x 6.2"D (159 mm), Black	3 lb 1.4 kg
30330-719*	2U x 19"EIA x 6.4"D (163 mm), Black	4 lb 1.8 kg
30331-719*	3U x 19"EIA x 6.4"D (163 mm), Black	5 lb 2.3 kg

Note: *Use deep panel models when MCS is center-mounted on Standard or Universal Rack. Other sizes and styles are available.

19" Horizontal Wire Management Panel		
Part No.	Description	Wt.
13070-719	1U x 19"EIA x 4"D (100 mm), Black	2 lb 0.9 kg
13075-719	2U x 19"EIA x 4"D (100 mm), Black	2 lb 0.9 kg

Contact CPI Technical Support at 800-834-4969 or techsupport@chatsworth.com for assistance.