

Installation Instructions

TERAFRAME AIR DEFLECTOR

Intended Use

Use indoors only, in environmentally controlled areas. Do not use outdoors, in harsh environments or in air-handling spaces.

Tools Required

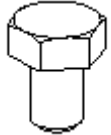
Large Phillips screwdriver

Installation Notes

The TeraFrame Air Director is used with the Vertical Exhaust Duct (VED) P/N 34370 and the Rear Door Sealing kit, P/N 34573. The VED used with the Air Director and Rear Door Seal fully isolates return air from the source air, thus eliminating any possible hot air recirculation in the data center.

Included Hardware

4 each
8mm x 12mm
Hex bolt



4 each
8mm
Washer



4 each
8mm
T nut



4 each
4mm x 10mm
Screw



4 each
4mm
Washer



Air Flow Director Installation on TeraFrame Cabinets with Adjustable Slides

1. Disassemble the air flow director by removing the four screws and four

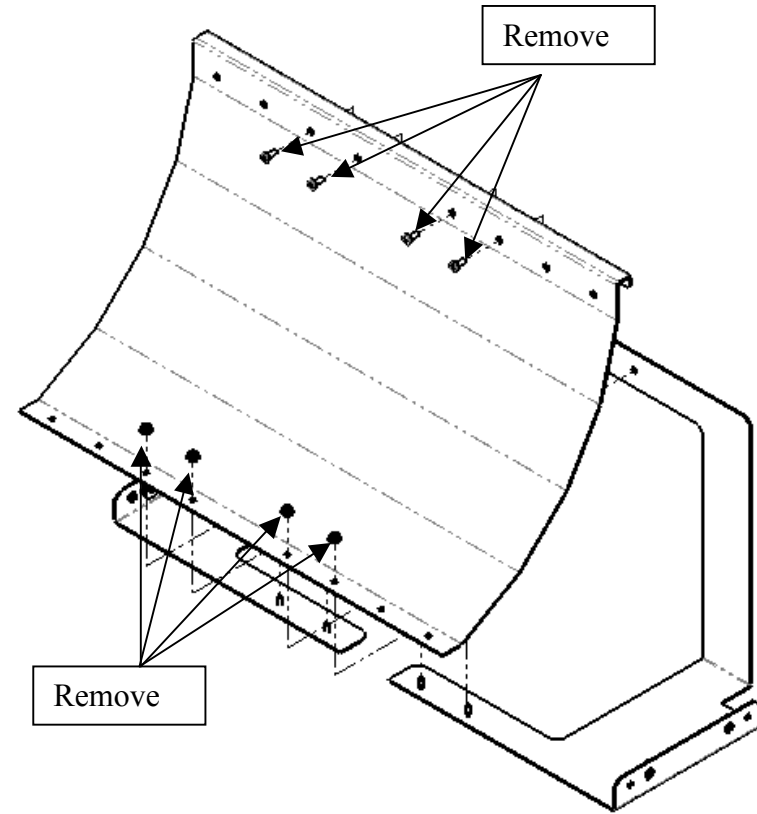


Figure 1



CHATSWORTH PRODUCTS, INC.

IIS-734570, 11/1/10, Rev. 1, CPI/J EXLEY
800-834-4969 (USA & Canada) • www.chatsworth.com •
techsupport@chatsworth.com

For international phone numbers, see our website or contact CPI Tech Support.

This drawing contains proprietary and confidential information and is protected by U.S. and international law. Unauthorized reproduction, disclosure or use of the drawing or the information therein is expressly forbidden except as agreed to in writing by Chatsworth Products, Inc.

Installation Instructions

TERAFRAME AIR DEFLECTOR

2. Attach each side bracket to the cabinet side frame members using the hardware included in the kit. (Fig. 2)
3. Slide the director as far to the rear as possible and hand tighten the hex bolts. (Fig. 2)

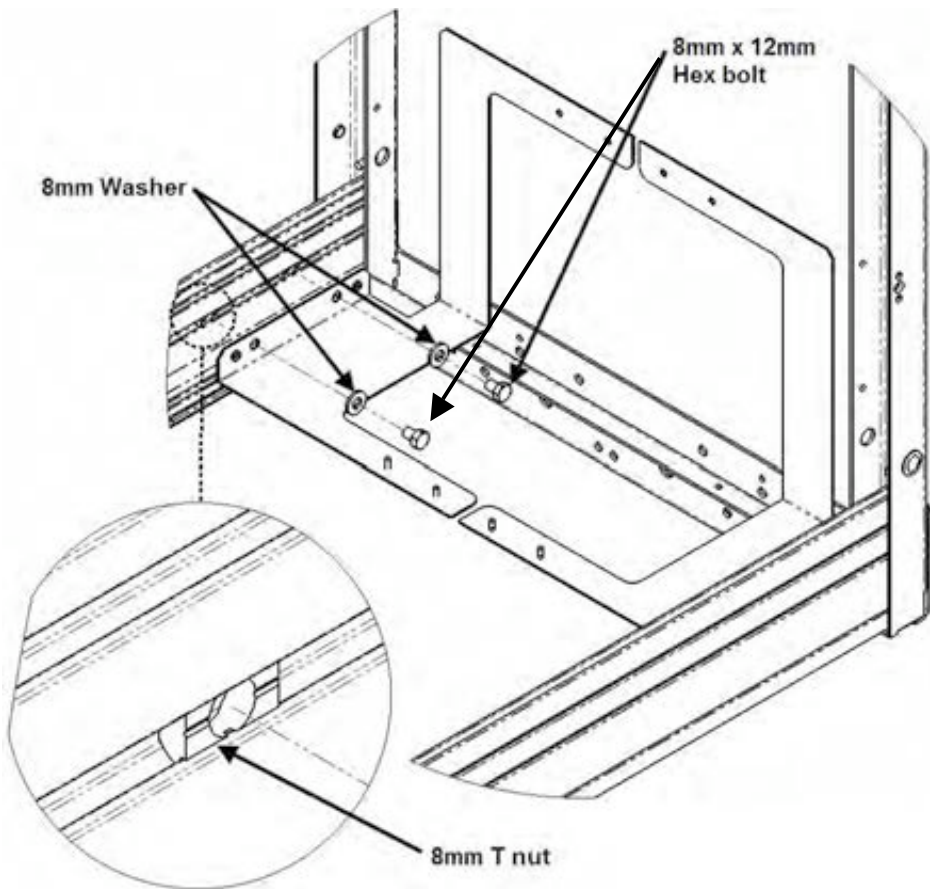


Figure 2

4. Mount the air flow director to the bracket with the four 4mm x 10mm screws and four nuts removed in step 1. (Fig. 3)

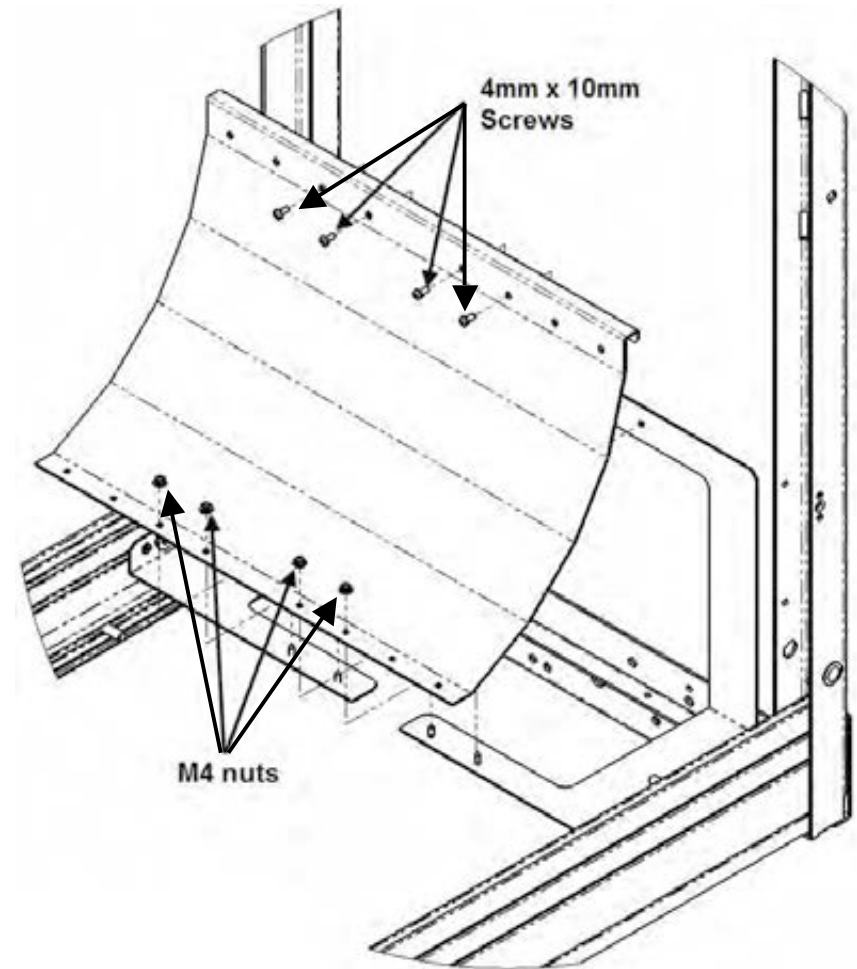


Figure 3