

Product Cut Sheet

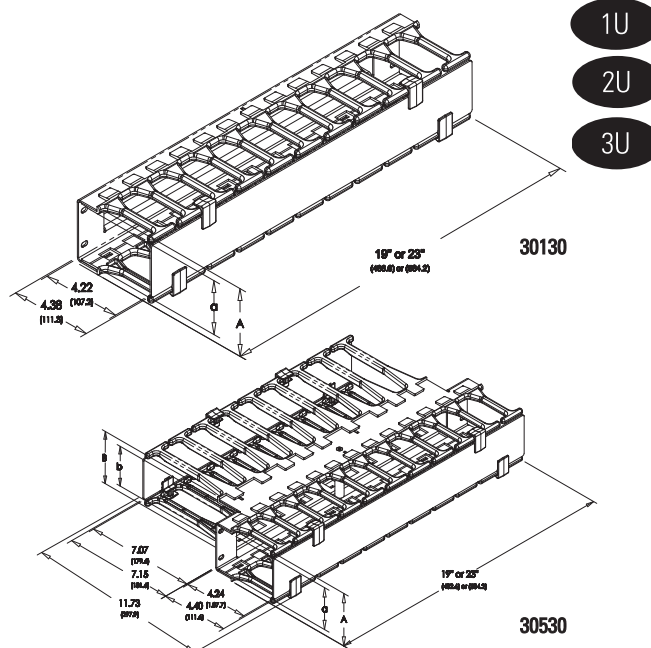
UNIVERSAL HORIZONTAL CABLE MANAGER

Create an attractive and highly functional horizontal pathway for patch cords and multimedia applications using coax, copper and fiber optic cables. After routing the cables or cords, simply snap on the cover for a clean, professional appearance.

- Extra-wide and contoured cable guide fingers, spaced 1.75" (44.5 mm) apart, separate and organize patch cords for quick and easy moves, adds and changes.
- The cable guides are offset to ensure proper bending radii of patch cables, even hooded patch cables
- Patented fingers meet the requirements of UL 94V-0 flammability rating
- Snap-on covers are easy to use and open 180° up or down with adjacent installation
- Covers and panel have a black powder-coat textured finish, reducing fingerprints and smudges

Estimated cable capacities:

See the cable fill table at www.chatsworth.com/cablefill



Double-Sided Cable Manager		
Part Number	Description H x W x D in (mm)	Shipping Weight lb (kg)
30529-X19	1U x 19 x 11.73 (297.9)	5 (2.3)
30529-X23	1U x 23 x 11.73 (297.9)	6 (2.7)
30530-X19	2U x 19 x 11.73 (297.9)	6 (2.7)
30530-X23	2U x 23 x 11.73 (297.9)	7 (3.2)
30531-X19	3U x 19 x 11.73 (297.9)	6 (2.7)
30531-X23	3U x 23 x 11.73 (297.9)	7 (3.2)

Single-Sided Cable Manager		
Part Number	Description H x W x D in (mm)	Shipping Weight lb (kg)
30139-X19	1U x 19 x 4.96 (126.0)	2 (0.9)
30139-X23	1U x 23 x 4.96 (126.0)	3 (1.4)
30130-X19	2U x 19 x 5.14 (130.6)	3 (1.4)
30130-X23	2U x 23 x 5.14 (130.6)	4 (1.8)
30131-X19	3U x 19 x 5.14 (130.6)	4 (1.8)
30131-X23	3U x 23 x 5.14 (130.6)	5 (2.3)
30339-X19*	1U x 19 x 6.26 (159.0)	3 (1.4)
30339-X23*	1U x 23 x 6.26 (159.0)	3 (1.4)
30330-X19*	2U x 19 x 6.44 (163.6)	4 (1.8)
30330-X23*	2U x 23 x 6.44 (163.6)	5 (2.3)
30331-X19*	3U x 19 x 6.44 (163.6)	5 (2.3)
30331-X23*	3U x 23 x 6.44 (163.6)	6 (2.7)

X=Color: 7=Black, E=Glacier White. *Note: Deep Panel is used when Double-Sided MCS Master Cabling Sections are center-mounted on 3"D racks.

Part Number		Dimensions			
19"	23"	A	a	B	b
30139-719	30139-723	1.73 (43.9)	1.02 (25.9)		
30130-719	30130-723	3.48 (88.4)	2.77 (70.4)		
30131-719	30131-723	5.23 (132.8)	4.52 (114.8)		
30339-719	30339-723	1.73 (43.9)	1.02 (25.9)		
30330-719	30330-723	3.48 (88.4)	2.77 (70.4)		
30331-719	30331-723	5.23 (132.8)	4.52 (114.8)		
30529-719	30529-723	1.73 (43.9)	1.00 (25.4)	1.67 (42.4)	0.85 (21.6)
30530-719	30530-723	3.46 (87.9)	2.75 (69.9)	3.42 (86.9)	2.60 (66.0)
30531-719	30531-723	5.23 (132.8)	4.50 (114.3)	5.17 (131.3)	4.44 (112.8)

Use Universal Horizontal Cable Manager in conjunction with the CPI Patch Panel Wire Management Bar (P/N 12176-X01) and any of CPI's vertical cabling sections for clean, organized cable management.

800-834-4969 in U.S. & Canada • www.chatsworth.com