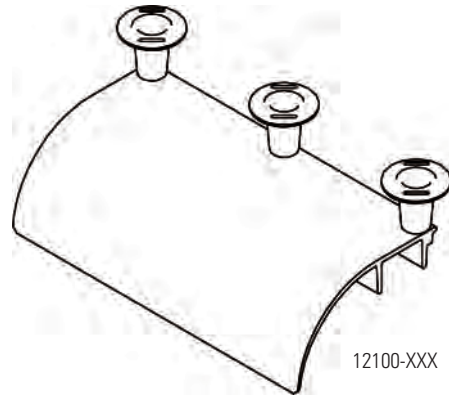


# Product Cut Sheet

## CABLE RUNWAY RADIUS DROP

Mounts to the side stringer or cross member of CPI Cable Runway to help maintain proper Category 5e/6/6a or fiber bend radius.

- Quick and easy installation
- Cross Member Radius Drop (P/N 12100-XXX) fits 6", 9", 12" and 18"W (150 mm, 230 mm, 300 mm and 460 mm) cross member tubing on CPI Universal Runway (Series 10250)
- Stringer Radius Drop (P/N 12101-XXX) attaches to the side of the runway
- Provides 3" (80 mm) bend radius
- Products 5"W (130 mm), 12100-X06, 12101-X03, drop into CPI's 6"W (150 mm) vertical cabling sections
- Supplied with 1-1/2" (38.1 mm) cable spools (P/N 15003-001) to separate and guide cables
- Sold individually



Runway Radius Drop, Cross Member			
Part Number	Cable Runway Width - in (mm)	Product Width in (mm)	Cable Spools
12100-X06	6 (150)	5 (130)	2 ea.
12100-X09	9 (230)	8 (200)	2 ea.
12100-X12	12 (300)	11 (280)	3 ea.
12100-X18	18 (460)	17 (430)	3 ea.

X=color: 1=Gray, Computer Beige, 7=Black, E=Glacier White.

800-834-4969 in U.S. & Canada • [www.chatsworth.com](http://www.chatsworth.com)



©2013 Chatsworth Products, Inc. All rights reserved. CPI, CPI Passive Cooling, GlobalFrame, MegaFrame, Saf-T-Grip, Seismic Frame, SlimFrame, TeraFrame, Cube-IT Plus, Evolution, OnTrac, Velocity and QuadraRack are federally registered trademarks of Chatsworth Products. eConnect and Simply Efficient are trademarks of Chatsworth Products. All other trademarks belong to their respective companies. 6/13