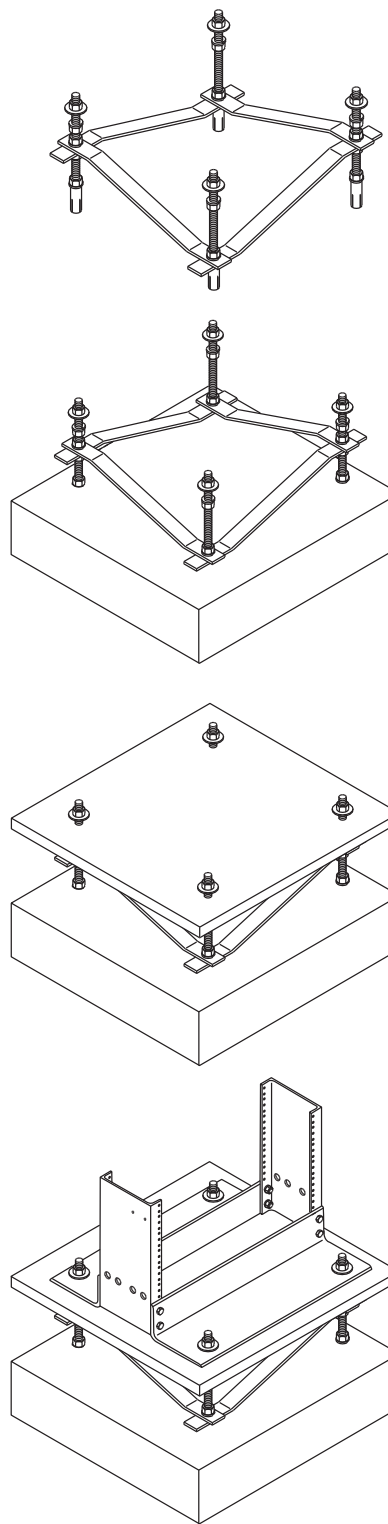


Product Cut Sheet

RAISED FLOOR RACK SUPPORT FOR 6" CHANNEL

- Racks are mounted to sub or base floor using 5/8" threaded rods and steel brackets
- Kits include 4 each pre-cut threaded rods, 4 brackets and all hardware needed to secure rack
- Steel Z-Brackets finished in gray
- Works with 66353, 66383 Series Racks

Part Number	Description	Shipping Weight
11760-119	19"W Rack, 4"H to 10"H Floor	15 lb
11761-119	19"W Rack, 10"H to 16"H Floor	18 lb
11762-119	19"W Rack, 16"H to 22"H Floor	21 lb
11763-119	19"W Rack, 22"H to 28"H Floor	24 lb
11760-123	23"W Rack, 4"H to 10"H Floor	15 lb
11761-123	23"W Rack, 10"H to 16"H Floor	18 lb
11762-123	23"W Rack, 16"H to 22"H Floor	21 lb
11763-123	23"W Rack, 22"H to 28"H Floor	24 lb



800-834-4969 in U.S. & Canada • www.chatsworth.com



CHATSWORTH PRODUCTS, INC.

©2010 Chatsworth Products, Inc. All rights reserved. CPI, CPI Passive Cooling, MegaFrame, Saf-T-Grip, Seismic Frame, SlimFrame, TeraFrame, Cube-IT Plus, Evolution, OnTrac, and QuadraRack are federally registered trademarks of Chatsworth Products, Inc. GlobalFrame, Simply Efficient and Velocity are trademarks of Chatsworth Products, Inc. All other trademarks belong to their respective companies. 12/10