

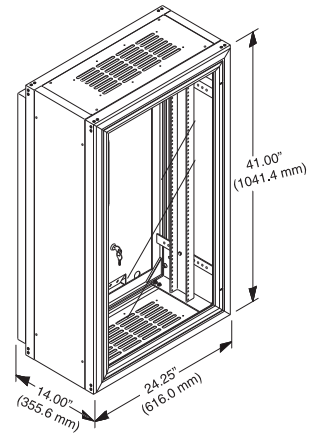
# Product Cut Sheet

## SILVER FRAME WALL-MOUNT CABINET

The Silver Frame Wall-Mount Cabinet provides an elegant and premium quality enclosure for protecting and securing your rack-mount equipment. Uses less space than conventional floor racks or enclosures. Unique dual-locking hinge design provides convenient front and rear access. With the 5.5" x 10.3" cable pass-through port in the center of the back panel, it is possible to route cable through the wall directly into the mounted cabinet for a more secure installation.

Rack mounting surface depth is adjustable front to back 7-1/2" for 14" depth and 16-1/2" for 24" depth. 36" usable mounting height (20 RMU). Universal 5/8"-5/8"-1/2" alternating hole pattern on both front and back sides.

- Unique dual locking hinge design
- Strong, lightweight aluminum construction
- 19" rack width
- Vented top and bottom for optimum air flow
- Adjustable rack mounting surface
- Includes (50) #12-24 mounting screws
- Installation hardware included: 1/4" lag screw for backboard or stud mounting and Saf-T-Grip® Cable Management Straps for cable routing
- Ships fully assembled
- Supports up to 150 lb



Part Number	Description	Shipping Weight
<b>Silver Frame Cabinet w/Smoked Plexiglass Doors</b>		
11680-X19	14"D x 41"H x 24.3"W	61 lb
11685-X19	24"D x 41"H x 24.3"W	71 lb
<b>Silver Frame Cabinet with Solid Metal Doors</b>		
12680-X19	14"D x 41"H x 24.3"W	61 lb
12685-X19	24"D x 41"H x 24.3"W	71 lb

### Accessories

#### Power Strip For Silver Frame

Designed to mount directly to Silver Frame, leaving rack mounting space available for use.

- Eight 3-prong, 15A, 125 Vac outlets
- Circuit breaker and 10' cord
- Includes installation hardware
- UL Listed



#### Fan/Filter Kit For Silver Frame

Fan is rated for 200 CFM and 38 SIL db in free air at 60 Hz, 115V, 15 W and 0.20 A. Fan pressurizes enclosure, forcing warmer air out top vents.



Part Number	AMP	Surge Protected	Plug Type	Outlet Type
12821-701	15A	No	Standard	15A (5-15R)
12821-702	15A	No	Locking	15A (5-15R)
12821-703	15A	Yes	Standard	15A (5-15R)
12821-704	15A	Yes	Locking	15A (5-15R)
12821-705	20A	No	Standard	20A (5-20R)
12821-706	20A	No	Locking	20A (5-20R)
12821-707	20A	Yes	Standard	20A (5-20R)
12821-708	20A	Yes	Locking	20A (5-20R)

Part Number	Description	Shipping Weight
11755-003	2 Fans, 100 CFM Each	3 lb
11222-001	Replacement Filters, Set of 4	1 lb

800-834-4969 in U.S. & Canada • [www.chatsworth.com](http://www.chatsworth.com)



CHATSWORTH PRODUCTS, INC.

©2010 Chatsworth Products, Inc. All rights reserved. CPI, CPI Passive Cooling, MegaFrame, Saf-T-Grip, Seismic Frame, SlimFrame, TeraFrame, Cube-IT Plus, Evolution, OnTrac, and QuadraRack are federally registered trademarks of Chatsworth Products, Inc. GlobalFrame, Simply Efficient and Velocity are trademarks of Chatsworth Products, Inc. All other trademarks belong to their respective companies. 12/10