

# Installation Instructions

## BUTT-SPLICE KIT

### Safety Information



**WARNING:** Improper use of this product may lead to serious injury or death. Read and understand all instructions for proper installation and use of this product.



**WARNING:** Refer to the High Speed Rotary Tool's owner's manual for safety instructions. Failure to do so may result in serious injury.



**WARNING:** Do not use as a walkway, ladder, or support for personnel. Use only as a mechanical support for cables, tubing, and raceways.

### Intended Use

Use the Butt-Splice Kit to connect two sections of Cable Runway end-to-end. The Butt-Splice Kits (P/N 11301-X01 and 16301-X01) fit both solid and tubular steel Cable Runway with 1-1/2" x 3/8" (38.1 mm x 9.53 mm) side stringers. The Butt-Splice Kit (P/N 11301-X02) fits Cable Runway with 2" x 3/8" (50.8 mm x 9.53 mm) side stringers.

### Tools Required

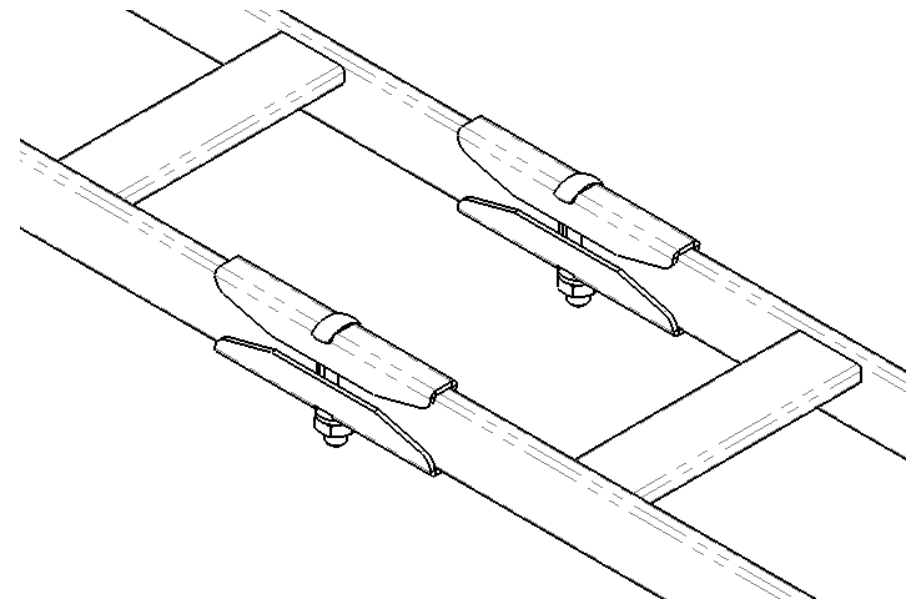
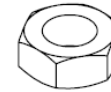
9/16" Wrench  
High Speed Rotary Tool or Mill File  
Antioxidant Paste

### Installation Notes

Cable Runway is for use indoors only, in environmentally controlled areas; do not use outdoors, or in harsh environments. Use the Cable Runway for cables only. Installation should only be performed by qualified personnel.

### Included Hardware

2 each	2 each	4 each	2 each
3/8"	3/8"	Splice	3/8"x2-1/4" or 2-3/4"
Washer	Nut	Plat	Trim Head Bolt



CHATSWORTH PRODUCTS, INC.

IIS-711301, 02/08/12, Rev. 3, CPI/J Young  
800-834-4969 (USA & Canada) • [www.chatsworth.com](http://www.chatsworth.com) • [techsupport@chatsworth.com](mailto:techsupport@chatsworth.com)  
For international phone numbers, see our website or contact CPI Tech Support.

*This drawing contains proprietary and confidential information and is protected by U.S. and international law. Unauthorized reproduction, disclosure or use of the drawing or the information therein is expressly forbidden except as agreed to in writing by Chatsworth Products, Inc.*

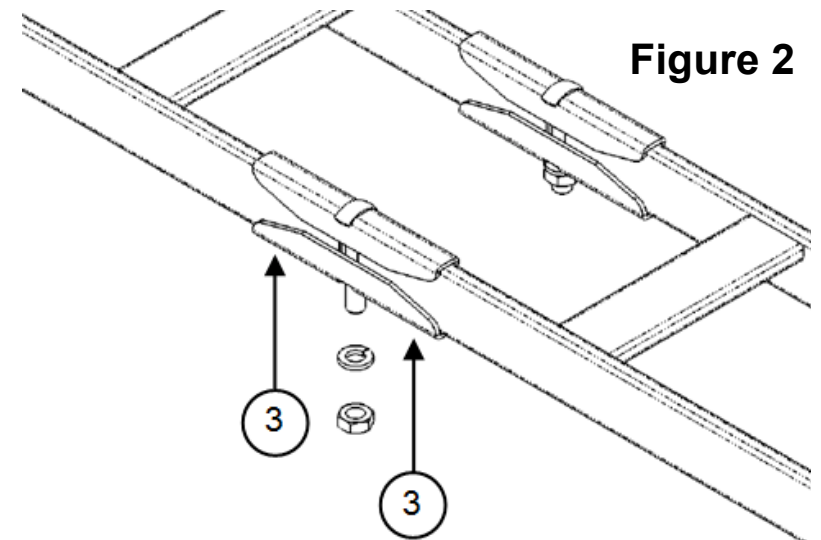
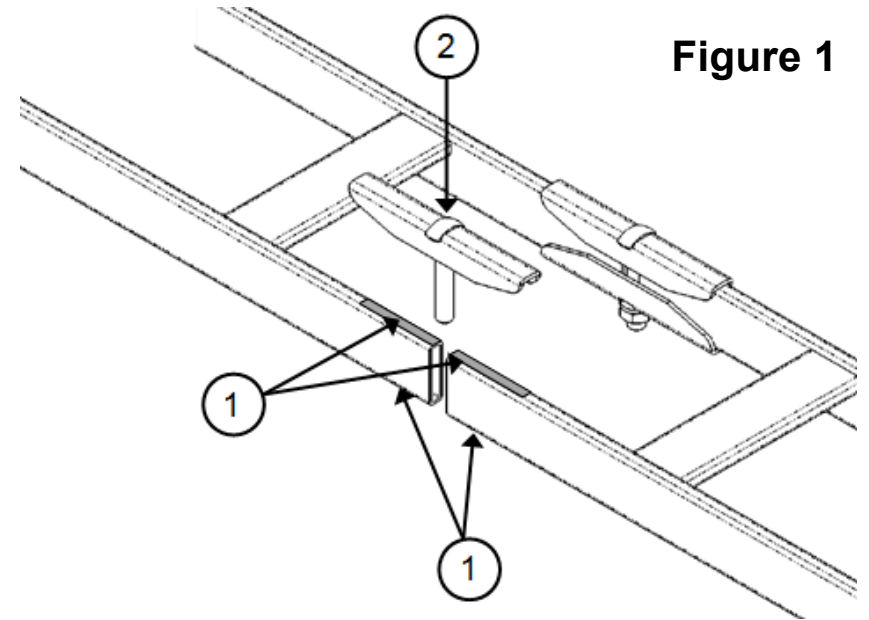
# Installation Instructions

## BUTT-SPLICE KIT

### Assembly Sequence

**Note:** If you are using painted Universal Cable Runway as an equipment ground conductor you must follow the steps outlined in either Assembly Sequence 2 or Assembly Sequence 5. Only one of these two Assembly Sequences will be required to ground the Cable Runway.

1. Before installing the butt-splice kit, verify proper runway orientation with the runway cross-members located near the upper edge of the runway stringers. Space the ends of two sections of Cable Runway 1/2" apart (and no less than 3/8").
2. **Note: This Assembly Sequence is only required when using painted Universal Cable Runway as an equipment ground conductor. If using zinc plated runway, painted cable runway that is NOT the equipment ground conductor, or grounding with a grounding strap, please continue to Assembly Sequence 3 below.** For proper bonding, it is necessary to remove paint from the ends of each cable runway section. Using a high speed rotary tool or mill file, remove ALL of the powder-coat paint from the top and bottom of the cable runway stringers where they come in contact with the butt splice (see Figure 1, Step 1). Apply antioxidant paste to all areas where paint was removed including any bare metal on the ends of each cable runway section.
3. Insert a 3/8" trim head bolt (supplied) into a splice plate. Slide the splice plate into place on the top side of the cable runway stringer. Refer to Figure 1, Step 2 for proper orientation.
4. Place a second splice plate on the bottom of the cable runway stringer and complete the splice installation by tightening the supplied washer and nut to the trim head bolt using a 9/16" wrench (see Figure 2, Step 3).



# Installation Instructions

## BUTT-SPLICE KIT

5. **Note: This Assembly Sequence is only required when using a Grounding Strap on painted Universal Cable Runway as an equipment ground conductor. If using zinc plated runway, painted cable runway that is NOT the equipment ground conductor, or grounding with a paint removal as described in Assembly Sequence 2 above: please continue to Assembly Sequence 6 below.** Use the grounding strap CPI P/N 40164-001. Drill two 5/16" diameter holes spaced 5/8" apart to accommodate the 2-hole compression lugs. Repeat this step on the opposite piece of the Cable Runway and ensure that they are close enough to the other holes to install the wire (See Figure 3, Step 4). Use the high speed rotary tool to remove ALL of the powder coat paint only in the area where the compression lugs would touch the Cable Runway (See Figure 3, Step 5). Apply a generous coating of grey antioxidant CPI P/N 40166-101, to the bare Cable Runway surface around the holes. Attach the straps to the Cable Runway using the stainless steel hardware provided. Torque hardware to 75-inch pounds (See Figure 4, Step 6).

6. Wipe off any excess antioxidant paste. Note that no bare metal should be visible once splices are installed.

Repeat this process for remaining splice connections.

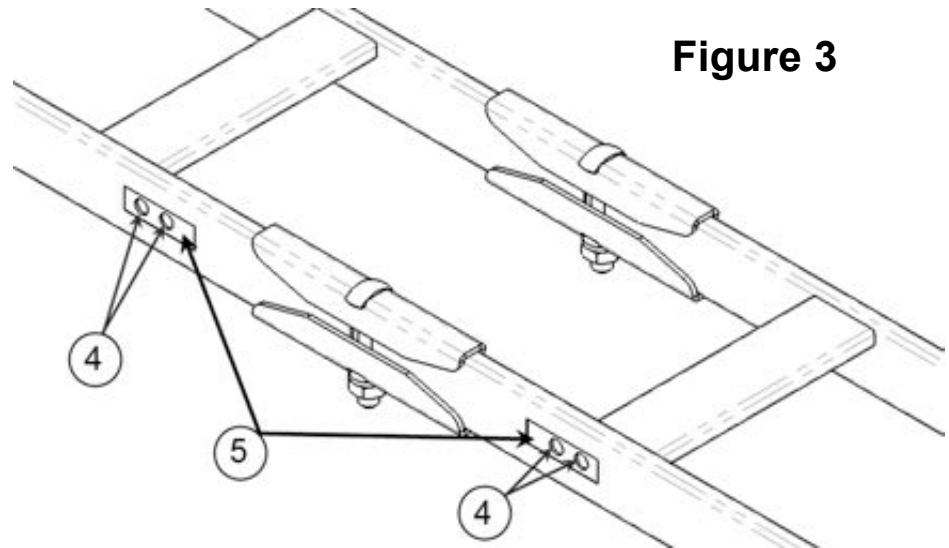
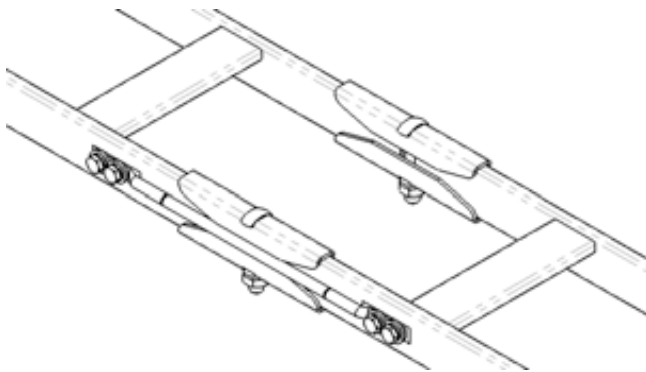


Figure 3

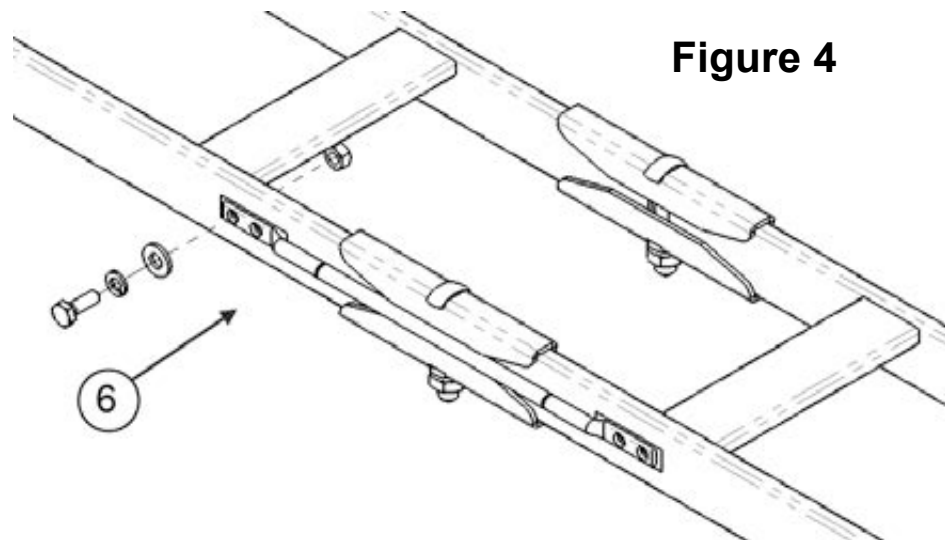


Figure 4