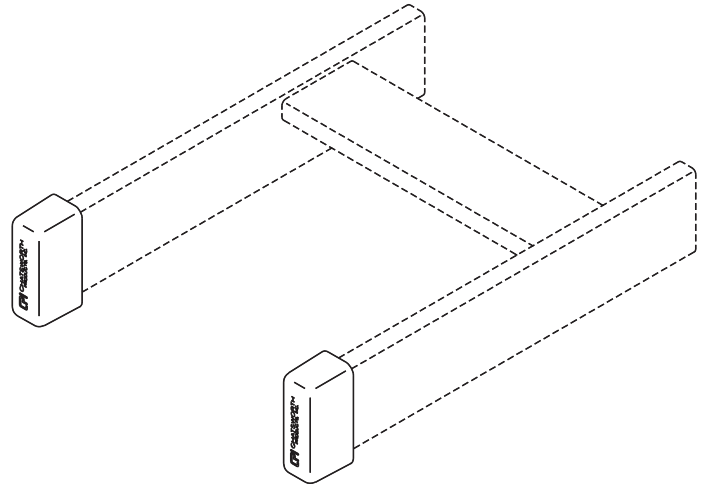


Product Cut Sheet

PROTECTIVE END CAPS, CABLE RUNWAY

Covers and protects exposed ends of cable runway and auxiliary framing bar and channel. Reduces chances of personal injury and equipment damage.

- Made of fire-retardant flat black colored rubberized material
- Sold in pairs



Part Number	Description	Shipping Weight
10642-001	For 1 1/2" x 3/8" Stringer	1 lb
10757-001	For 2" x 3/8" Auxiliary Bar	1 lb

800-834-4969 in U.S. & Canada • www.chatsworth.com



CHATSWORTH PRODUCTS, INC.

©2010 Chatsworth Products, Inc. All rights reserved. CPI, CPI Passive Cooling, MegaFrame, Saf-T-Grip, Seismic Frame, SlimFrame, TeraFrame, Cube-iT Plus, Evolution, OnTrac, and QuadraRack are federally registered trademarks of Chatsworth Products, Inc. GlobalFrame, Simply Efficient and Velocity are trademarks of Chatsworth Products, Inc. All other trademarks belong to their respective companies. 12/10