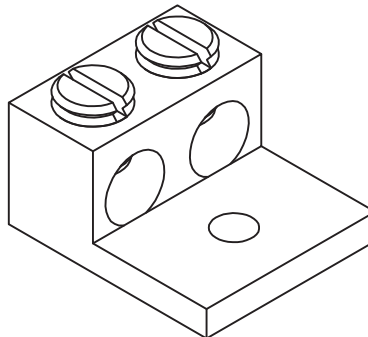


Product Cut Sheet

GROUND TERMINAL BLOCK

Provides convenient way to attach ground wires to racks, trays, etc. Holds up to #4 gauge wire.

- Sold individually
- Zinc plated
- UL Listed



| PART NUMBER | Description | Unit | Wire Size | Shipping Weight |
|-------------|----------------|------|-----------|-----------------|
| 08009-001 | ONE-HOLE BLOCK | 1 | UP TO #4 | 1 lb |
| 08009-010 | ONE-HOLE BLOCK | 10 | UP TO #4 | 10 lb |

800-834-4969 in U.S. & Canada • www.chatsworth.com



CHATSWORTH PRODUCTS, INC.

©2010 Chatsworth Products, Inc. All rights reserved. CPI, CPI Passive Cooling, MegaFrame, Saf-T-Grip, Seismic Frame, SlimFrame, TeraFrame, Cube-iT Plus, Evolution, OnTrac, and QuadraRack are federally registered trademarks of Chatsworth Products, Inc. GlobalFrame, Simply Efficient and Velocity are trademarks of Chatsworth Products, Inc. All other trademarks belong to their respective companies. 12/10