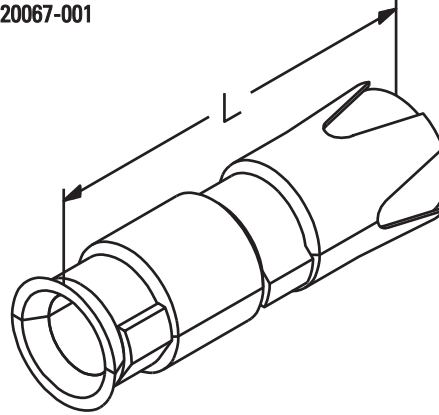


# Product Cut Sheet

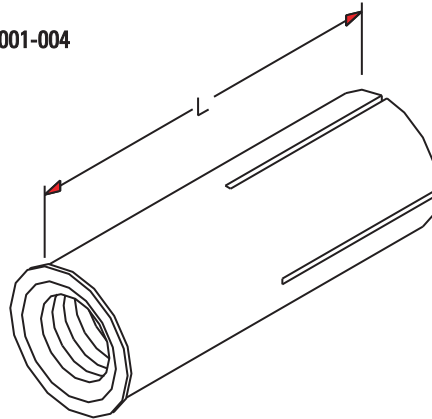
## ANCHORS

Use to secure threaded rods or stud bolts in concrete or masonry. The 20067-001 is used with 3/8-16 threaded rods, and the new 06001-004 5/8-11 anchor is for use with 5/8-11 threaded rods and studs. To install the 06001-004 anchor, use the specially designed anchor setting tool (P/N 06003-001). Installation instructions included. Sold individually.

20067-001



06001-004



Part Number	Description	Length (L)	Drill Dia.	Min. Hole Depth
20067-001	3/8-16 EXP. SHIELD	2"	5/8"	2-1/8"
06001-004	5/8-11 NON-DRILL	2-1/2"	7/8"	2-1/2"
06003-001	ANCHOR SETTING TOOL	N/A	N/A	N/A

800-834-4969 in U.S. & Canada • [www.chatsworth.com](http://www.chatsworth.com)



CHATSWORTH PRODUCTS, INC.

©2010 Chatsworth Products, Inc. All rights reserved. CPI, CPI Passive Cooling, MegaFrame, Saf-T-Grip, Seismic Frame, SlimFrame, TeraFrame, Cube-iT Plus, Evolution, OnTrac, and QuadraRack are federally registered trademarks of Chatsworth Products, Inc. GlobalFrame, Simply Efficient and Velocity are trademarks of Chatsworth Products, Inc. All other trademarks belong to their respective companies. 12/10