

# POWER STRIPS

## for CPI Rack and Cabinet Systems

### KEY FEATURES

- Distribute power to multiple devices from a single power connection
- NEMA style outlets and plugs
- Includes a thermal circuit breakers to protect circuits from overload
- Available with surge-protection to protect equipment from power spikes
- Available with local current meters to provide easy current monitoring

### APPLICATIONS

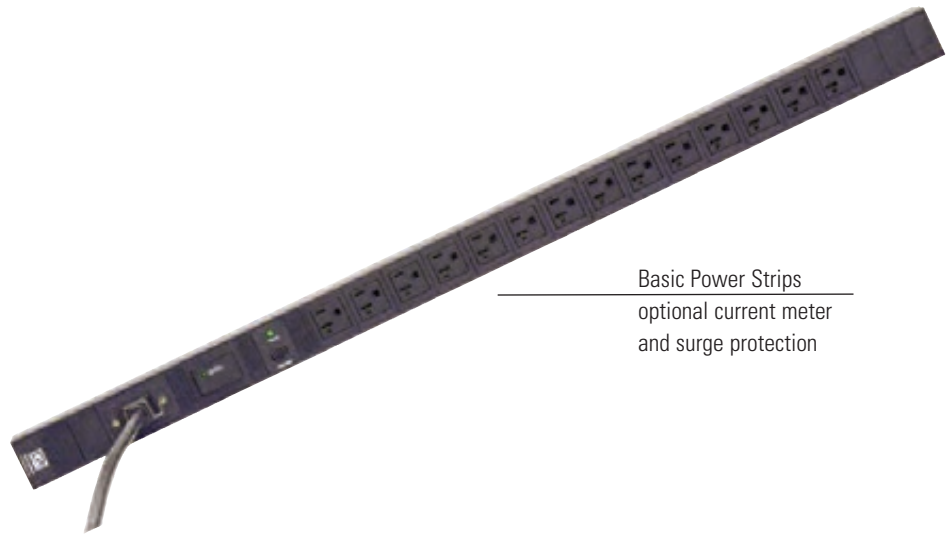
- Power Strips distribute single-phase power to multiple pieces of equipment from a single power connection.

### USE WITH

- CPI Cabinet Systems
- CPI Rack Systems

### RELATED ACCESSORIES

- Power Distribution Units (PDUs)
- Electronic Locking System (ELS)
- Remote Infrastructure Management (RIM-600) System



Basic Power Strips  
optional current meter  
and surge protection

CPI Power Strips provide basic power distribution into racks and cabinets allowing you to share a single power connection with multiple pieces of equipment.

CPI Power Strips are available in two configurations: basic and metered. Basic Power Strips feature thermal circuit breakers and optional surge protection. Circuit breakers limit the amount of current available to equipment while surge protection blocks excessive voltage from equipment. Both features are critical with unconditioned line power. Metered configurations include an in-line digital ammeter with display to show the amount of current being used by attached equipment. This feature allows the user to monitor current use and judge the amount of remaining capacity on the power strip before adding a new device to the circuit.

Choose vertical or horizontal rack-mount power strips that match the voltage and current rating of the power connection. Power strips have NEMA outlets, an IEC C20 inlet and include a detachable power cord with a NEMA plug.

See inside for product selection. Contact CPI Technical Support for configuration assistance.

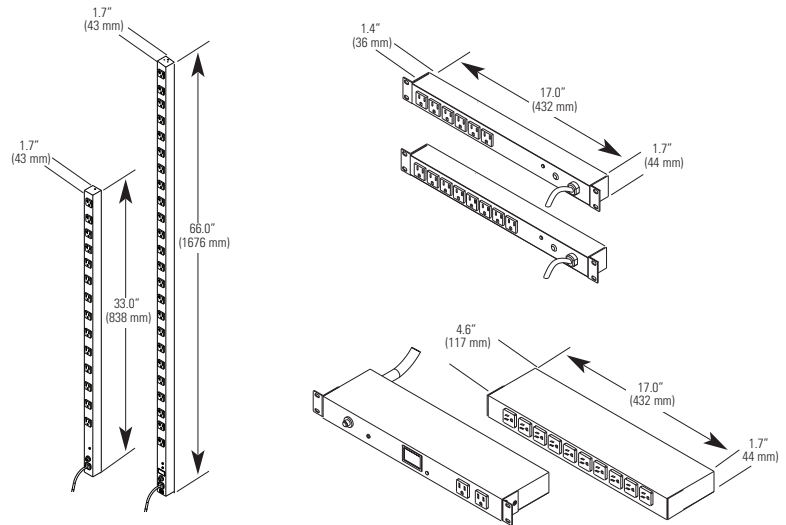
**SPECIFICATIONS**

- Single-input, vertical and horizontal rack-mount power strips
- For indoor use only, in environmentally controlled areas; may not be used outdoors, in harsh environments or in air-handling spaces
- Power Input:
  - Specific to Power Strip (see order tables)
  - Stated as maximum rated voltage and current of breaker/inlet/plug
  - 50/60 Hz
- Power Output:
  - Specific to Power Strip (see order tables)
  - Same voltage/frequency as input
- Power Inlet:
  - IEC C20 with cord retention bracket
- Power Cord:
  - Detachable, IEC C19 to NEMA Plug
  - Included (see order table for plug type)
  - Not rated for plenum use
- Power Outlet Receptacles:
  - Specific to Power Strip (see order tables)
  - NEMA outlets/receptacles
- Circuit Protection:
  - Thermal (T) circuit breakers
  - Optional Surge Protection
    - 330 Volt, 1100 Joules
    - Surge suppression active indicator – LED
- Current Metering:
  - Digital ammeter(s) included on metered Power Strips
  - Each ammeter has a 2-digit LED display
  - Overload alarm/flashing LED at 16A
- Certifications:
  - UL Listed
- Includes Rack/Cabinet Mounting Brackets:
  - Vertical Power Strips include one pair of fixed depth Rack-Mount Brackets, 9"D (229 mm), for attaching the Power Strip to a CPI Rack System and tool-less mounting hardware (buttons) spaced 61.25" (1556 mm) apart on 66.0"H (1676 mm) power strips for attaching the power strip to PDU mounting brackets in CPI Cabinet Systems. PDU mounting brackets are not included with the power strip. Order PDU mounting brackets with the cabinet or as a separate accessory.
  - Horizontal Power Strips include mounting brackets for 19"EIA rack-mounting; select models also include mounting brackets for 23"W rack-mounting (see order tables)
- Finish: Black only

**PLUG & RECEPTACLE CONFIGURATIONS**

Locking Plugs (Single-Phase)	NEMA L5-15P 125VAC/15A	NEMA L5-20P 125VAC/20A
Straight Plugs	NEMA 5-15P 125VAC/15A	NEMA 5-20P 125VAC/20A
Power Receptacles	NEMA 5-15R 125VAC/15A	NEMA 5-20R 125VAC/20A

**DIMENSIONS**



**ACCESSORIES**

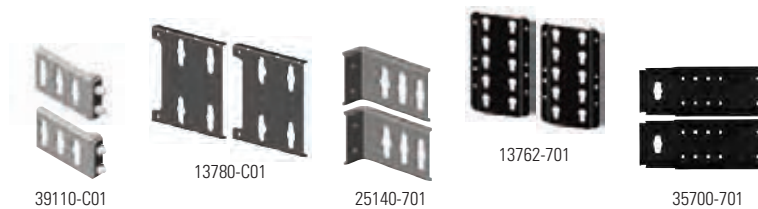
**Vertical PDU Mounting Bracket Kit**

Used to attach Vertical PDUs and Power Strips to CPI Cabinet and Rack Systems.

- Each Mounting Bracket Kit includes a pair of mounting brackets to support the PDU or Power Strip.
- Select the kit to match the cabinet or rack model.

Part Number	Description	Shipping Weight lb (kg)
39110-C01	For F-Series TeraFrame Gen 3 Cabinet System or GF-Series GlobalFrame Gen 2 Cabinet System	2 (0.9)
13780-C01	For F-Series TeraFrame Cabinet System	2 (0.9)
25140-701	For GF-Series GlobalFrame Cabinet System	2 (0.9)
13762-701	For M-Series MegaFrame Cabinet System or C-Series SlimFrame Cabinet System	2 (0.9)
35700-701	For Rack Systems	2 (0.9)

Note: Mounting Bracket Kits are included with CPI Cabinet Systems.



ORDERING INFORMATION

**Basic Power Strips, Vertical Mount**

Part Number	Input			Output		Dims - in (mm)		
	Amp	kW	Plug	Breakers	Outlets	H	W	D
<b>110-125 Volt, Single-Phase Power Strip</b>								
12850-701	15	1.4	NEMA 5-15P	1 x 15A	(14) 5-15R	33.0 (838)	1.7 (43)	1.7 (43)
12848-701	15	1.4	NEMA 5-15P	1 x 15A	(24) 5-15R	66.0 (1676)	1.7 (43)	1.7 (43)
12850-703	15	1.4	NEMA L5-15P	1 x 15A	(14) 5-15R	33.0 (838)	1.7 (43)	1.7 (43)
12848-703	15	1.4	NEMA L5-15P	1 x 15A	(24) 5-15R	66.0 (1676)	1.7 (43)	1.7 (43)
12850-705	20	1.9	NEMA 5-20P	1 x 20A	(14) 5-20R	33.0 (838)	1.7 (43)	1.7 (43)
12848-705	20	1.9	NEMA 5-20P	1 x 20A	(24) 5-20R	66.0 (1676)	1.7 (43)	1.7 (43)
12850-707	20	1.9	NEMA L5-20P	1 x 20A	(14) 5-20R	33.0 (838)	1.7 (43)	1.7 (43)
12848-707	20	1.9	NEMA L5-20P	1 x 20A	(24) 5-20R	66.0 (1676)	1.7 (43)	1.7 (43)
<b>110-125 Volt, Single-Phase Power Strip, Surge-Protected</b>								
12850-702	15	1.4	NEMA 5-15P	1 x 15A	(14) 5-15R	33.0 (838)	1.7 (43)	1.7 (43)
12848-702	15	1.4	NEMA 5-15P	1 x 15A	(24) 5-15R	66.0 (1676)	1.7 (43)	1.7 (43)
12850-704	15	1.4	NEMA L5-15P	1 x 15A	(14) 5-15R	33.0 (838)	1.7 (43)	1.7 (43)
12848-704	15	1.4	NEMA L5-15P	1 x 15A	(24) 5-15R	66.0 (1676)	1.7 (43)	1.7 (43)
12850-706	20	1.9	NEMA 5-20P	1 x 20A	(14) 5-20R	33.0 (838)	1.7 (43)	1.7 (43)
12848-706	20	1.9	NEMA 5-20P	1 x 20A	(24) 5-20R	66.0 (1676)	1.7 (43)	1.7 (43)
12850-708	20	1.9	NEMA L5-20P	1 x 20A	(14) 5-20R	33.0 (838)	1.7 (43)	1.7 (43)
12848-708	20	1.9	NEMA L5-20P	1 x 20A	(24) 5-20R	66.0 (1676)	1.7 (43)	1.7 (43)

Notes: Includes rack mounting brackets and tool-less hardware. All power strips have IEC C20 inlets and include a power cord. Cords with locking plugs are 10'L (3 m). Cords with straight plugs are 8'2"L (2.4 m). Order mounting brackets for cabinets separately.



**Metered Power Strips, Vertical Mount**

Part Number	Input			Output		Dims - in (mm)		
	Amp	kW	Plug	Breakers	Outlets	H	W	D
<b>110-125 Volt, Single-Phase Power Strip</b>								
12848-751	15	1.4	NEMA 5-15P	1 x 15A	(24) 5-15R	66.0 (1676)	1.7 (43)	1.7 (43)
12848-755	20	1.9	NEMA 5-20P	1 x 20A	(24) 5-20R	66.0 (1676)	1.7 (43)	1.7 (43)
12848-757	20	1.9	NEMA L5-20P	1 x 20A	(24) 5-20R	66.0 (1676)	1.7 (43)	1.7 (43)
<b>110-125 Volt, Single-Phase Power Strip, Surge-Protected</b>								
12848-752	15	1.4	NEMA 5-15P	1 x 15A	(24) 5-15R	66.0 (1676)	1.7 (43)	1.7 (43)
12848-754	15	1.4	NEMA L5-15P	1 x 15A	(24) 5-15R	66.0 (1676)	1.7 (43)	1.7 (43)
12848-756	20	1.9	NEMA 5-20P	1 x 20A	(24) 5-20R	66.0 (1676)	1.7 (43)	1.7 (43)
12848-758	20	1.9	NEMA L5-20P	1 x 20A	(24) 5-20R	66.0 (1676)	1.7 (43)	1.7 (43)

Notes: Includes rack mounting brackets and tool-less hardware. All power strips have IEC C20 inlets and include a power cord. Cords with locking plugs are 10'L (3 m). Cords with straight plugs are 8'2"L (2.4 m). Order mounting brackets for cabinets separately.



ORDERING INFORMATION

**Basic Power Strips, Horizontal Rack-Mount**

Part Number	Input			Output		Dims - in (mm)		
	Amp	kW	Plug	Breakers	Outlets	H	W	D
<b>110-125 Volt, Single-Phase Power Strip</b>								
12816-701	15	1.4	NEMA 5-15P	1 x 15A	(8) 5-15R	1U	19"EIA/23"	1.4 (36)
12816-702	15	1.4	NEMA L5-15P	1 x 15A	(8) 5-15R	1U	19"EIA/23"	1.4 (36)
12816-705	20	1.9	NEMA 5-20P	1 x 20A	(8) 5-20R	1U	19"EIA/23"	1.4 (36)
12816-706	20	1.9	NEMA L5-20P	1 x 20A	(8) 5-20R	1U	19"EIA/23"	1.4 (36)
<b>110-125 Volt, Single-Phase Power Strip, Surge-Protected</b>								
12816-703	15	1.4	NEMA 5-15P	1 x 15A	(6) 5-15R	1U	19"EIA/23"	1.4 (36)
12816-704	15	1.4	NEMA L5-15P	1 x 15A	(6) 5-15R	1U	19"EIA/23"	1.4 (36)
12816-707	20	1.9	NEMA 5-20P	1 x 20A	(6) 5-20R	1U	19"EIA/23"	1.4 (36)
12816-708	20	1.9	NEMA L5-20P	1 x 20A	(6) 5-20R	1U	19"EIA/23"	1.4 (36)

Notes: Includes 19"EIA and 23"W horizontal rack-mount brackets. All power strips have IEC C20 inlets and include a power cord. Cords with locking plugs are 10'L (3 m). Cords with straight plugs are 8'2"L (2.4 m).



**Metered Power Strips, Horizontal Rack-Mount**

Part Number	Input			Output		Dims - in (mm)		
	Amp	kW	Plug	Breakers	Outlets	H	W	D
<b>110-125 Volt, Single-Phase Power Strip</b>								
13239-751	15	1.4	NEMA 5-15P	1 x 15A	(12) 5-15R	1U	19"EIA	4.6 (117)
13239-755	20	1.9	NEMA 5-20P	1 x 20A	(12) 5-20R	1U	19"EIA	4.6 (117)
13239-756	20	1.9	NEMA L5-20P	1 x 20A	(12) 5-20R	1U	19"EIA	4.6 (117)
<b>110-125 Volt, Single-Phase Power Strip, Surge-Protected</b>								
13239-753	15	1.4	NEMA 5-15P	1 x 15A	(12) 5-15R	1U	19"EIA	4.6 (117)
13239-757	20	1.9	NEMA 5-20P	1 x 20A	(12) 5-20R	1U	19"EIA	4.6 (117)
13239-758	20	1.9	NEMA L5-20P	1 x 20A	(12) 5-20R	1U	19"EIA	4.6 (117)

Notes: Includes 19"EIA horizontal rack-mount brackets only. All power strips have IEC C20 inlets and include a power cord. Cords with locking plugs are 10'L (3 m). Cords with straight plugs are 8'2"L (2.4 m).

