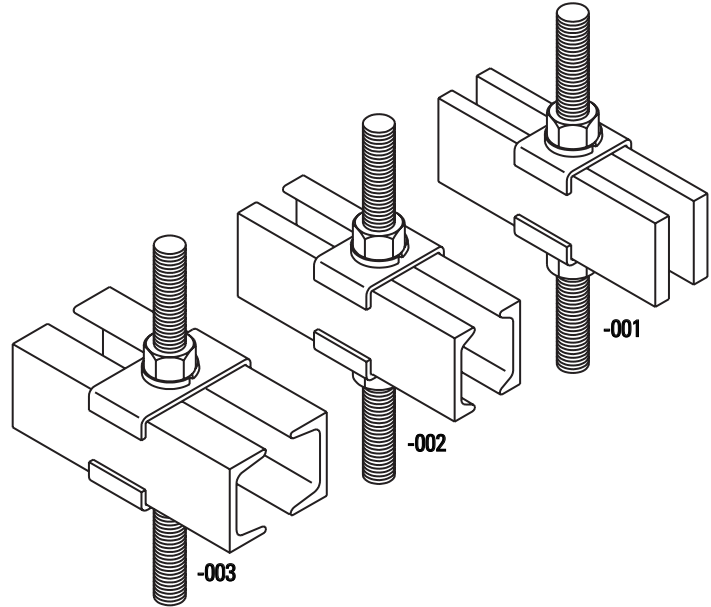


Product Information Sheet

FRAMING CLIP KIT

Creates a rigid connection between two adjacent grid or cable runway sections.

- Material is steel finished with gold over zinc plating.
Kit consists of 2 brackets only
- Installation will require:
 - 1 each 5/8-11 or 1/2-13 threaded rod (of appropriate length)
 - 2 each 5/8-11 or 1/2-13 hex nuts
 - 2 each 5/8" or 1/2" split lock washers



Part Number	Description	Shipping Weight
5/8" Bolt Size		
10609-001	For 3/8" Bar	1 lb
10609-002	For 9/16" Channel	1 lb
10609-003	For 1" Channel	1 lb
1/2" Bolt Size		
10621-001	For 3/8" Bar	1 lb
10621-002	For 9/16" Channel	1 lb
10621-003	For 1" Channel	1 lb

800-834-4969 in US & Canada • www.chatsworth.com



CHATSWORTH PRODUCTS, INC.

©2002 Chatsworth Products, Inc. 11/02