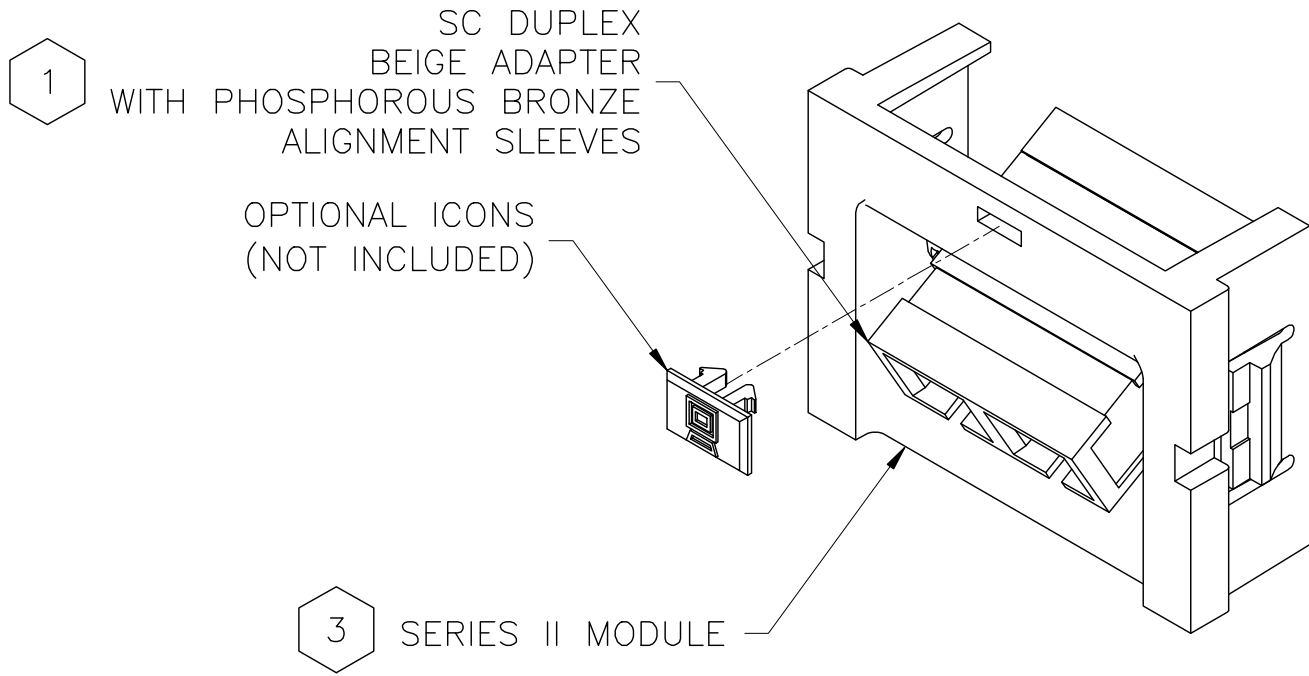
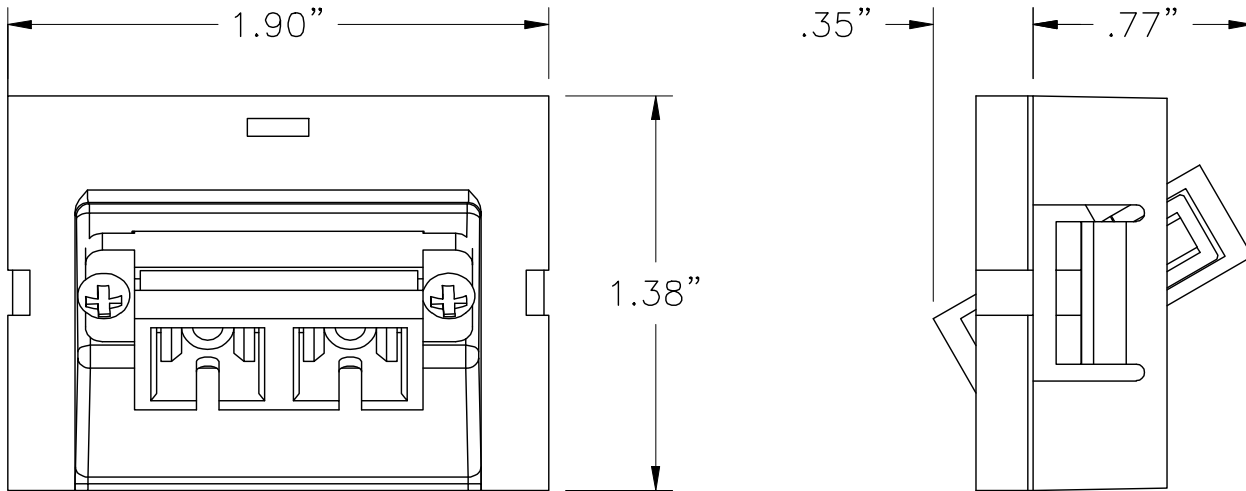



NOTES:

1. DUSTCAPS ARE PROVIDED INSTALLED.
2. DIMENSIONS ARE IN INCHES.
3. THE "-XX" AT THE END OF THE PART NUMBER SHALL INDICATE THE COLOR OF HOUSING. COLOR SHALL BE IN ACCORDANCE WITH ORTRONICS SPECIFICATION #OR-71601388.

 INDICATES NOTE REFERENCE



<p>*** NOTICE ***</p> <p>THIS DOCUMENT CONTAINS CONFIDENTIAL AND/OR PROPRIETARY INFORMATION INTENDED FOR USE ONLY BY THE INDIVIDUAL(S) SPECIFIED HEREIN AND ONLY FOR THE PURPOSE(S) PROVIDED. NEITHER THIS DOCUMENT, NOR ANY INFORMATION CONTAINED HEREIN, MAY BE COPIED, DISTRIBUTED, DISCLOSED TO ANY THIRD PARTY OR USED IN ANY MANNER OTHER THAN FOR WHICH IT HAS BEEN PROVIDED, WITHOUT THE PRIOR WRITTEN CONSENT OF ORTRONICS, INC.</p>	 NEW LONDON, CT 06320 (860) 445-3800		TITLE					
	DWN.BY: Dbogue		DATE: 04/15/99		SERIES II, SC DUPLEX BEIGE ADAPTERS, MULTIMODE, BRONZE SLEEVES, 60' EXIT, 1.5 UNIT HIGH			
	CHK.BY: AM		11/7/03		SIZE: A	CAD FILE: 60900184XXC	PART NUMBER: OR-60900184-XX	REV: 04
	APP.BY: MEM		11/10/03		SCALE: NONE	REL DATE: 06/03/09	SHEET: 1 OF 1	