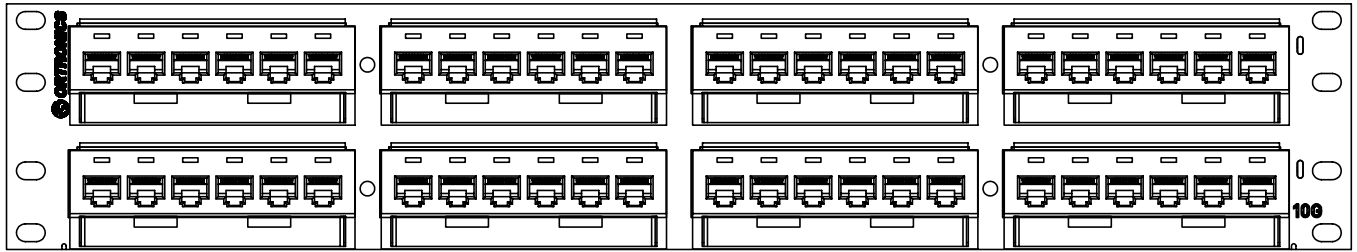
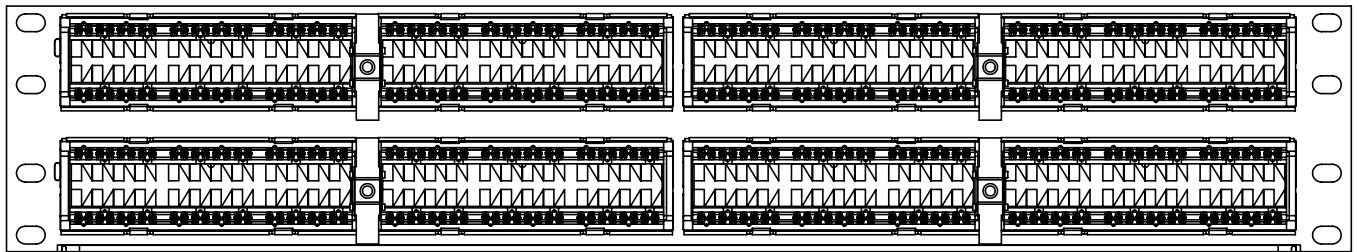

 PAPER LABELS WITH CLEAR MYLAR COVERS  
 KIT OF 4 EACH



FRONT VIEW



PORTS 19-24      PORTS 13-18      PORTS 7-12      PORTS 1-6

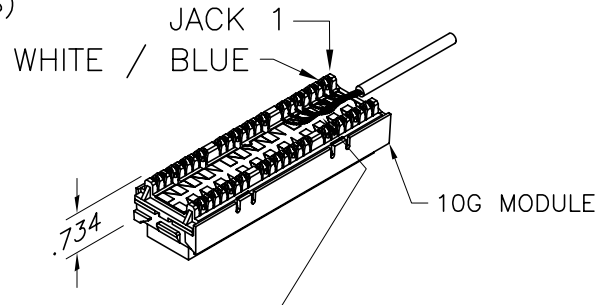


PORTS 43-48      PORTS 37-42      PORTS 31-36      PORTS 25-30

REAR VIEW


 8X "T568A" LABEL (SUPPLIED IN CARTON, T568B LABELS ARE SUPPLIED ON MODULES)

KIT ALSO INCLUDES: INSTRUCTION SHEET,  
 TIE WRAPS AND MOUNTING  
 SCREW KIT (NOT SHOWN).



NOTE: MAINTAIN PAIR TWIST UP TO POINT OF TERMINATION.



**\*\*\* NOTICE \*\*\***  
 THIS DOCUMENT CONTAINS CONFIDENTIAL AND/OR PROPRIETARY INFORMATION INTENDED FOR USE ONLY BY THE INDIVIDUAL(S) SPECIFIED HEREIN AND ONLY FOR THE PURPOSE(S) PROVIDED. NEITHER THIS DOCUMENT, NOR ANY INFORMATION CONTAINED HEREIN, MAY BE COPIED, DISTRIBUTED, DISCLOSED TO ANY THIRD PARTY OR USED IN ANY MANNER OTHER THAN FOR WHICH IT HAS BEEN PROVIDED, WITHOUT THE PRIOR WRITTEN CONSENT OF ORTRONICS, INC.



DWN.BY:	HATHAWAY	DATE	04/18/06
CHK.BY:	C. COLLELO	DATE	05/01/06
APP.BY:	M. MARTICH	DATE	05/01/06

TITLE			
48 PORT, 110/6 PORT PANEL, 10G, CLARITY, T568 A/B, 8 POS., 3.5" X 19" HI DENSITY			
SIZE	CAD FILE	PART NUMBER	REV
A	PHD610U48C	PHD610U48	02
SCALE	REL DATE	SHEET	
NONE	05/07/07	1 OF 1	